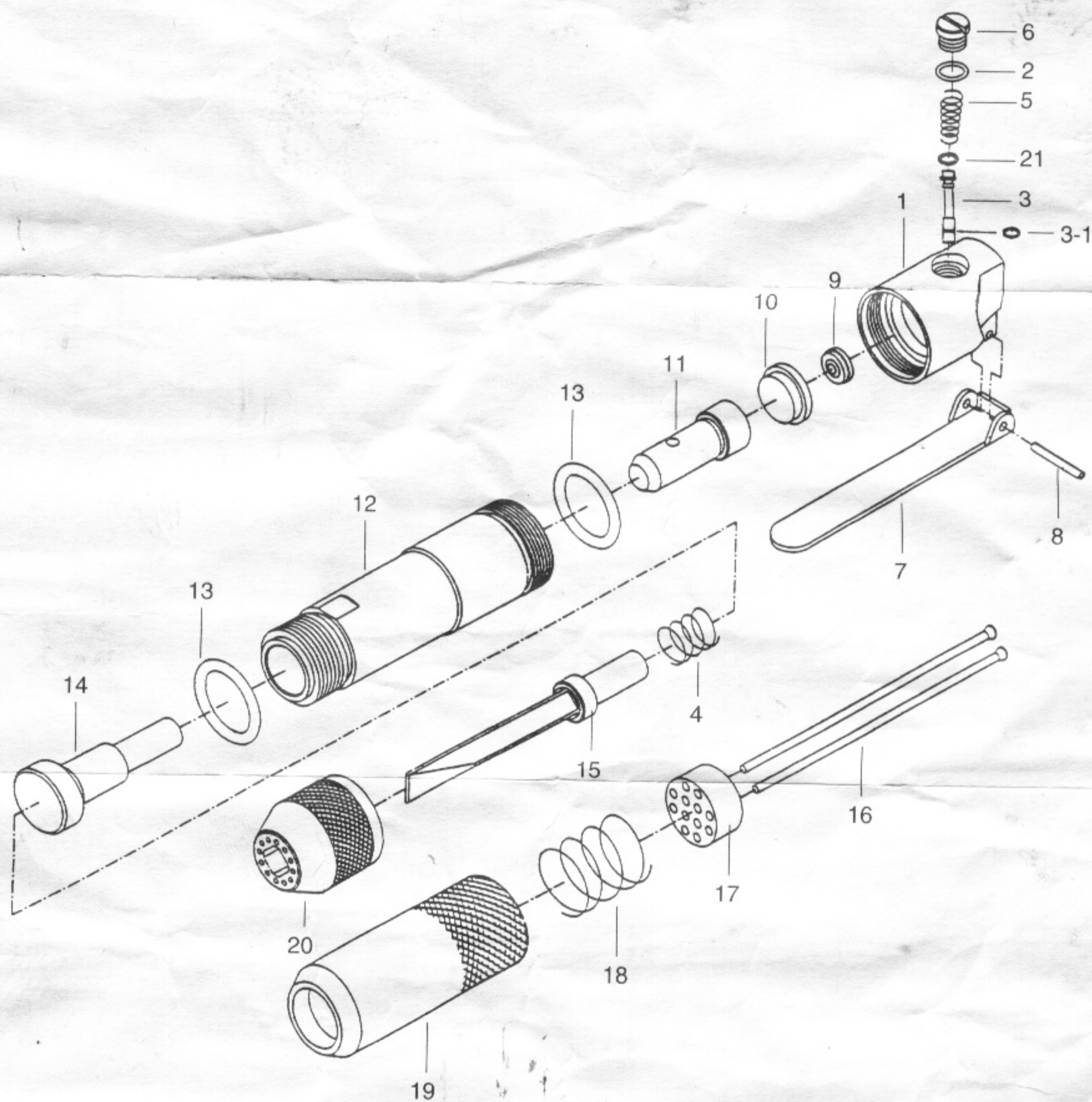


Air Needle Scaler / Flux Chipper



Parts No.	Description	Q'ty	Parts No.	Description	Q'ty
288001	Backhead	1	288012	Barrel Sleeve	1
288002	O-Ring P5	1	288013	O-Ring P24	1
288003	Throttle Valve	1	288014	Needle Driver	1
288004	Spring	1	288015	Chisel	1
288005	Spring	1	288016	Needle	12
288006	Valve Cap	1	288017	Needle Holder	1
288007	Lever	1	288018	Spring	1
288008	Pin	1	288019	Needle Tube	1
288009	Rubber Cushion	1	288020	Nut	1
288010	Fear Valve Block	1	288021	O-Ring P3	1
288011	Piston	1	288003-1	O-Ring P2 x 1.5	1