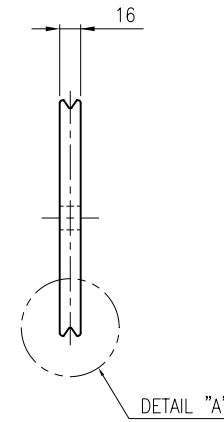
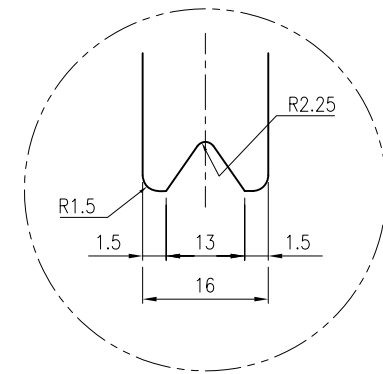


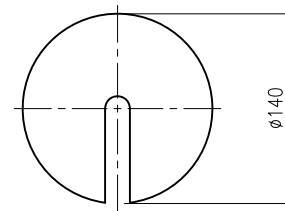
ITEM ② DETAIL



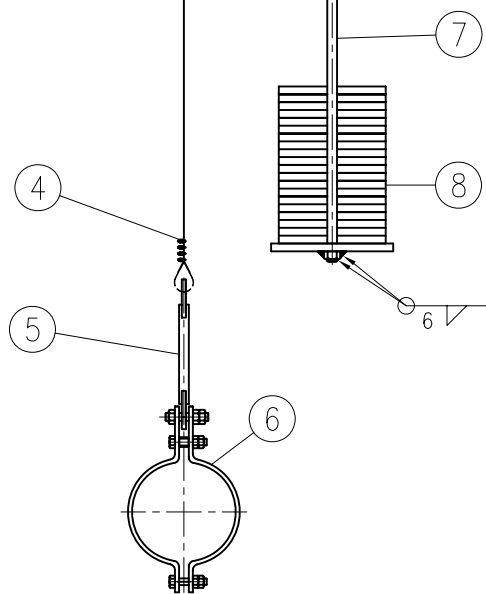
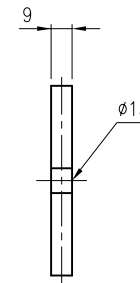
DETAIL "A"



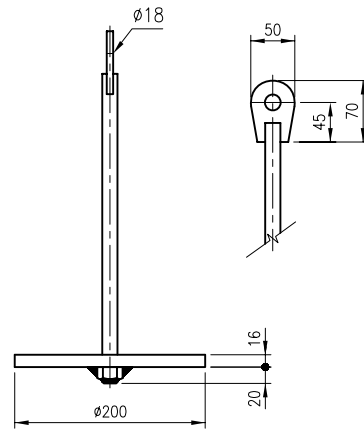
DETAIL "A"



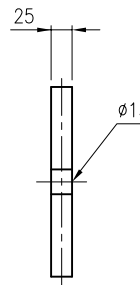
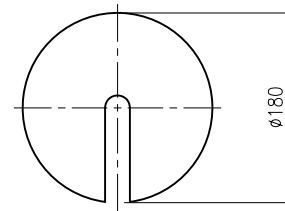
ITEM ⑨ DETAIL



ITEM ⑦ DETAIL



ITEM ⑧ DETAIL



NOTE

1. DIMENSION : MM
2. HOLE은 필히 DRILL 가공할 것.
3. Q'TY : 6 SETS (2UNITS 몰량임.)
4. 미터 보통나사 2급 적용. (KS B 0211)

NO.	DESCRIPTION	MATERIAL	SIZE	Q'TY
9	WEIGHT (9T)	SS400	9Tx<math>\phi 140</math>	5
8	WEIGHT (25T)	SS400	25Tx<math>\phi 180</math>	10
7	EYE BOLT	SS400	M12x500L	1
6	PIPE CLAMP	SUS304	DN15	1
5	EYE ROD	SS400	M12x200L	2
4	CLIP	SUS304	<math>\phi 4.5</math>	8
3	WIRE ROPE	SUS304	<math>\phi 4.5 \times 10000L</math>	1
2	SHEAVE	SS400	<math>\phi 150</math>	1
1	TOP WHEEL ASS'Y	SS400	<math>\phi 120</math>	1

REV.	DESCRIPTION	DRAWN	CHECKED	APPROVED
0	FIRST ISSUE	J.H.PARK	S.W YEOM	S.W YEOM

CUSTOMER DOOSAN HEAVY INDUSTRIES & CONSTRUCTION CO., LTD.

PROJECT BORYEONG THERMAL POWER PLANT UNIT 7 & 8

TITLE PIPING SUPPORT DWG. FOR COUNT WEIGHT ASS'Y

JOB No. X6-P-009

NO.	SYSTEM	HANGER MK NO.	Q'TY
1	SAMPLING LINE	16538-H-951-G-037	2
2	SAMPLING LINE	16538-H-951-G-038	2
3	SAMPLING LINE	16538-H-951-R-060	2