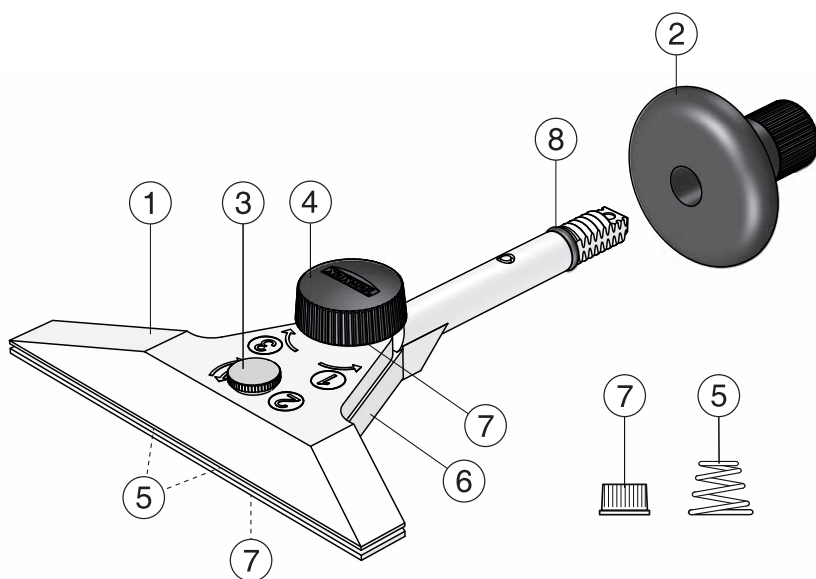


## SVM-140 Long Knife Jig



Item no.	Article no.	Denomination	Quantity	Weight/piece	
				g	oz
1	2100	Clamp	1		
2	3050	Adjustable stop	1	22	0,78
3	1060	Adjusting screw	1	7	0,25
4	7050	Tightening knob	1	9	0,32
5	0500	Spring	2	0	0,00
6	2090	Base	1		
7	1050	Brass bushing, M6	2	4	0,14
8	3560	O-ring	1		