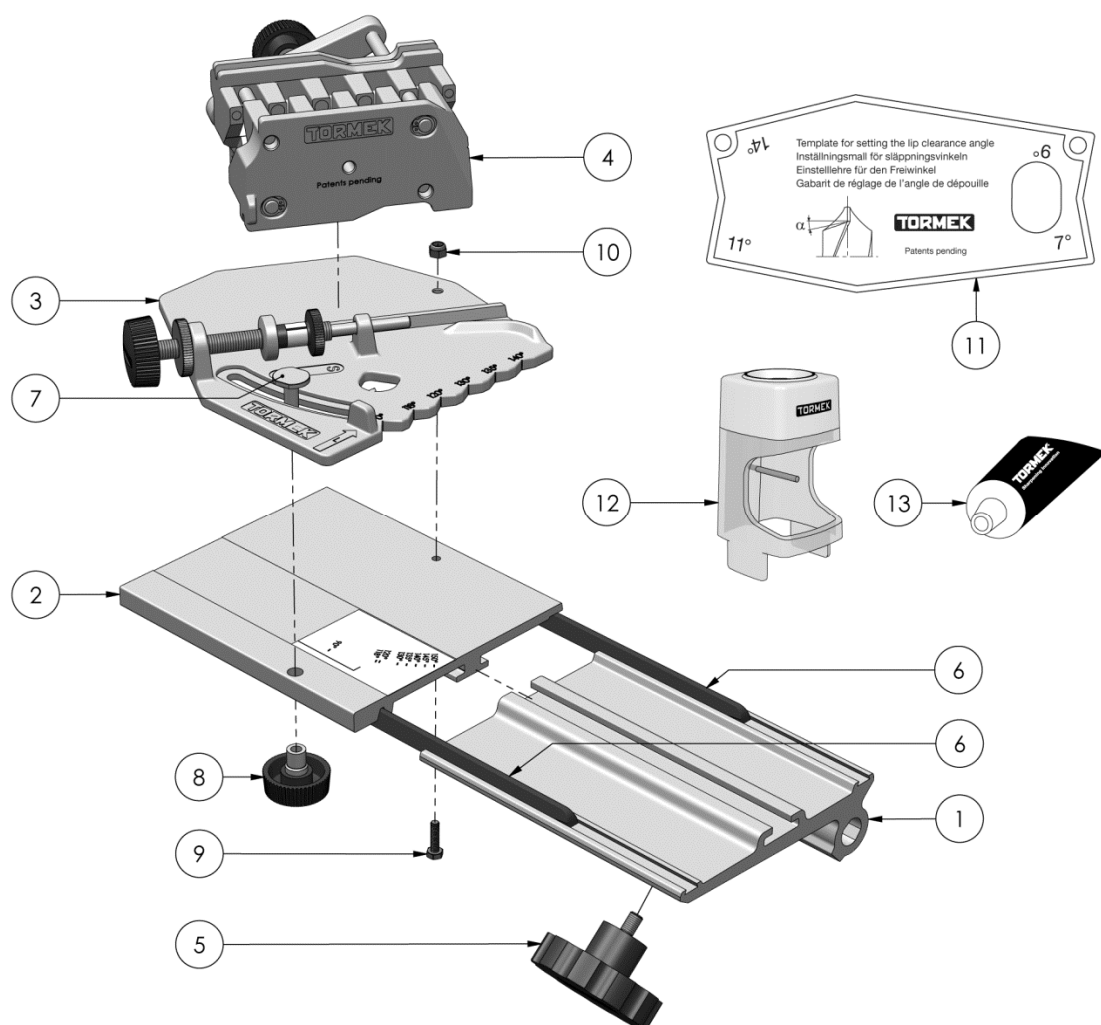


## DBS-22 Drill Bit Sharpening Attachment



Item no.	Article no.	Denomination	Quantity	Weight/piece	
				g	oz
1	2370	Base Plate	1	490	17,28
2	2350	Sliding Plate with scale	1	318	11,22
3		Turning Plate with setting screw	1	686	24,20
4		Drill Holder	1	1288	45,43
5	7140	Locking knob	1	42	1,48
6	3430	Support Bar	2	8	0,28
7	1290	Locking screw	1	6	0,21
8	7160	Locking nut	1	10	0,35
9	5310	Screw	1	2	0,07
10	5380	Nut	1	1	0,04
11		Setting Plate with magnets	1	40	1,41
12	6280	Magnifier	1	36	1,27
13		PTFE Lubricant	1	10	0,35