
DEWALT®

www.DEWALT.com

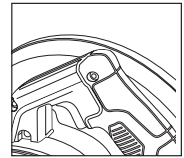
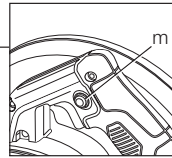
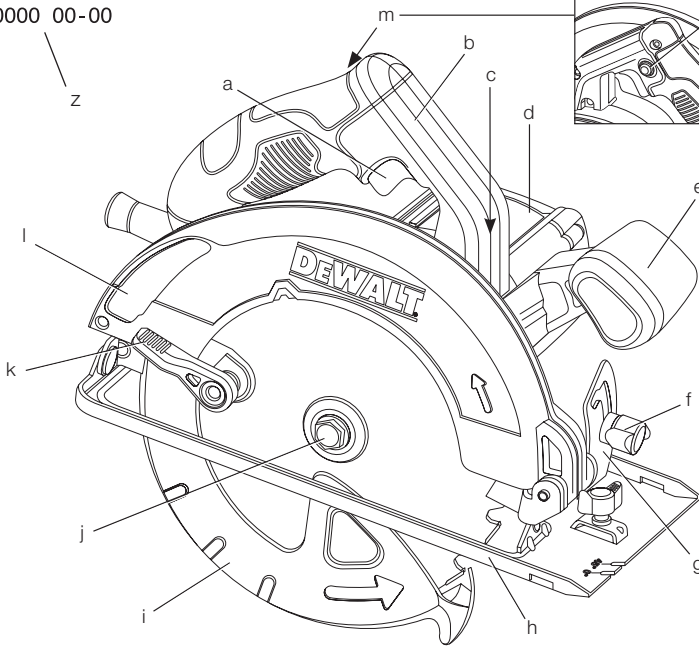
DWE561
DWE565

English (<i>original instructions</i>)	06
中文 (简体)	16
中文 (繁體)	26
한글판	33
ภาษาไทย	41
BAHASA INDONESIA	52

Figure 1

0000 00-00

Z



DWE561-KR
DWE565-KR

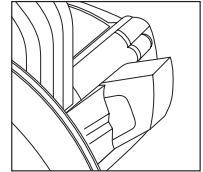
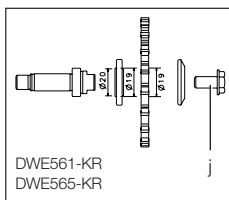
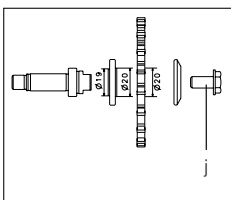
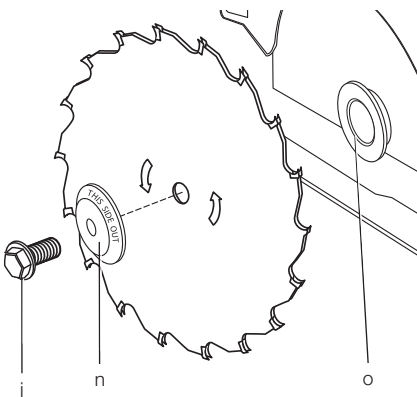


Figure 2



DWE561-KR
DWE565-KR

Figure 3

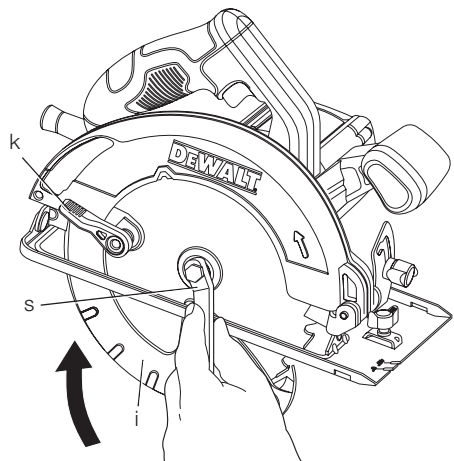


Figure 4

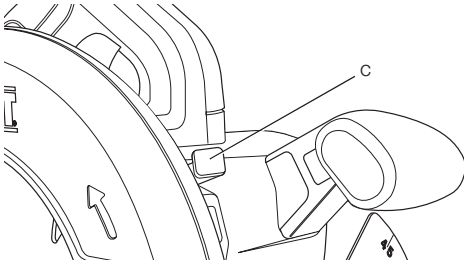


Figure 5

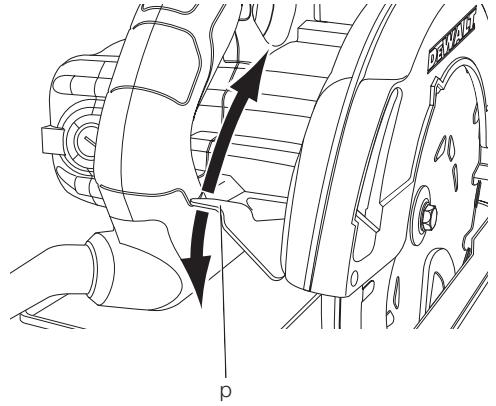


Figure 6

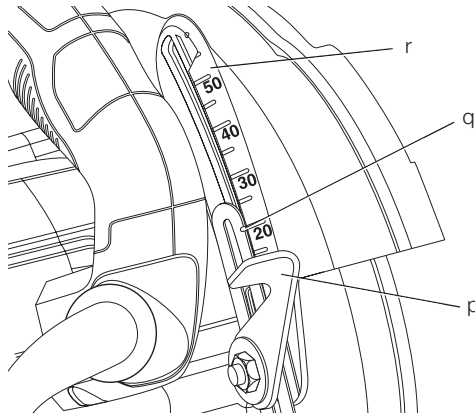


Figure 7

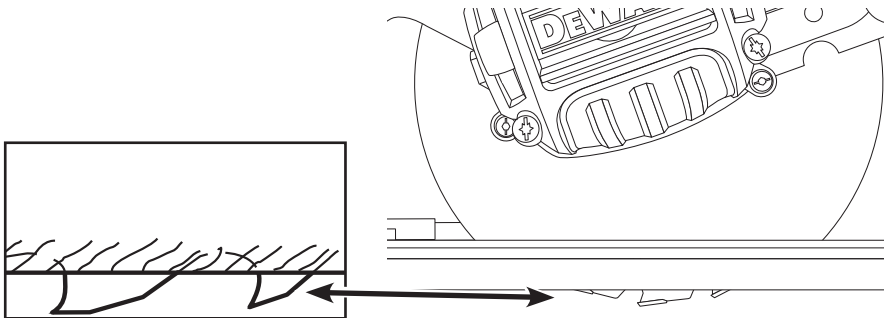


Figure 8

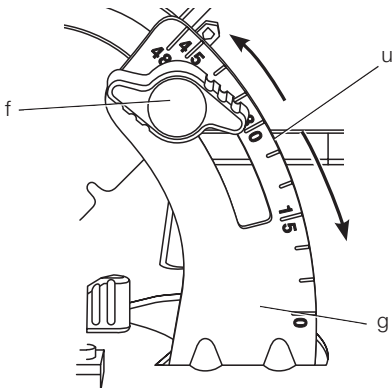


Figure 9

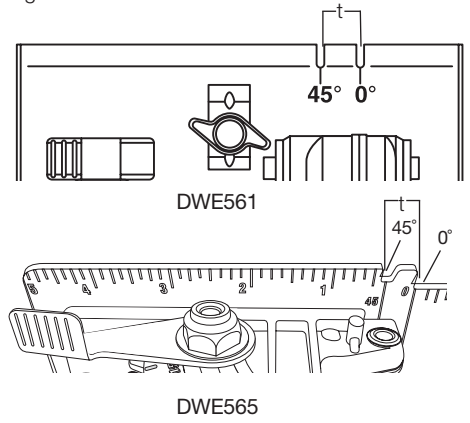


Figure 10

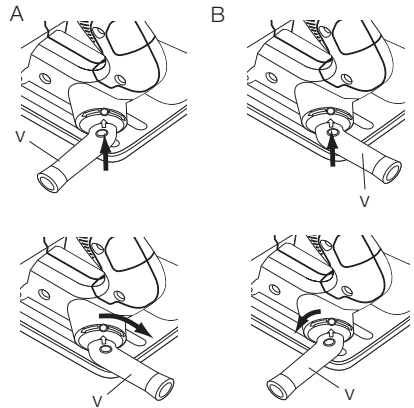
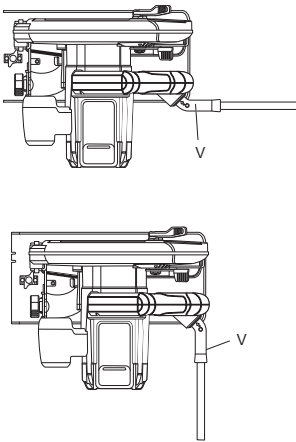


Figure 11

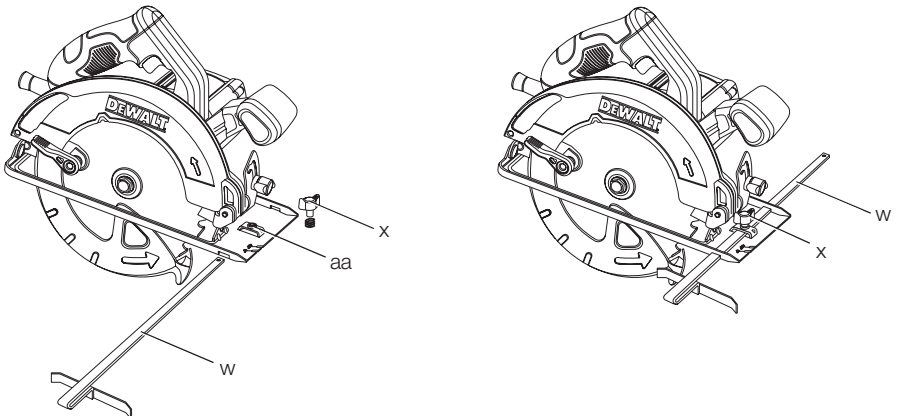


Figure 12

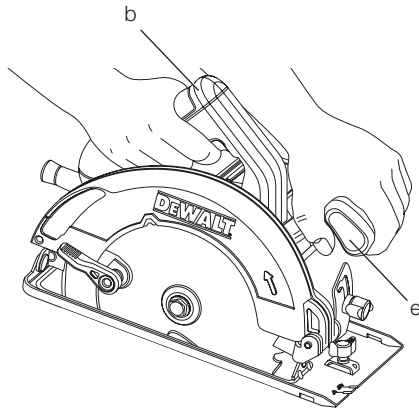


Figure 13

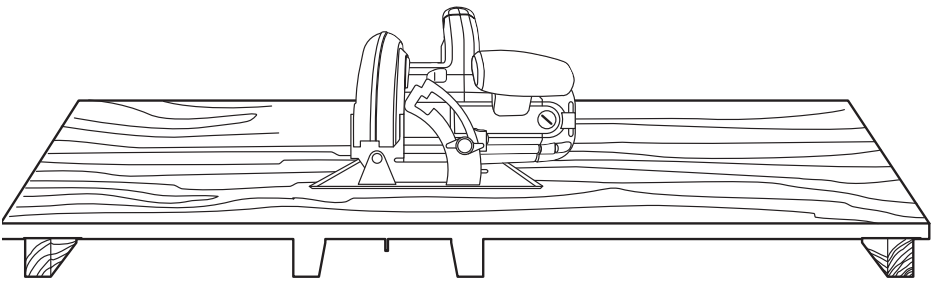


Figure 14

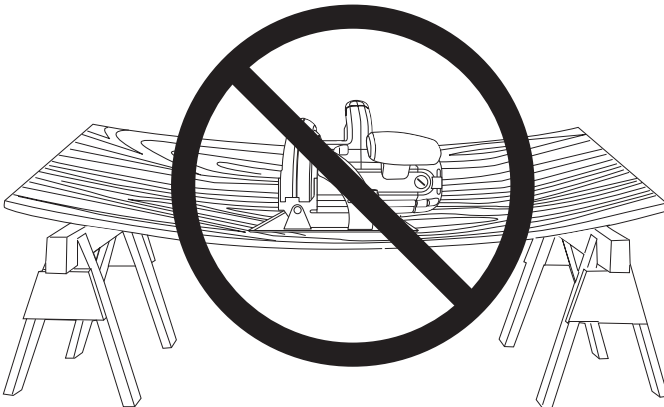


Figure 15

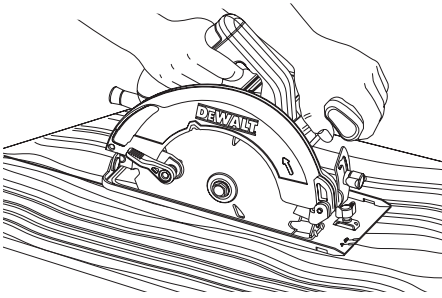


Figure 16

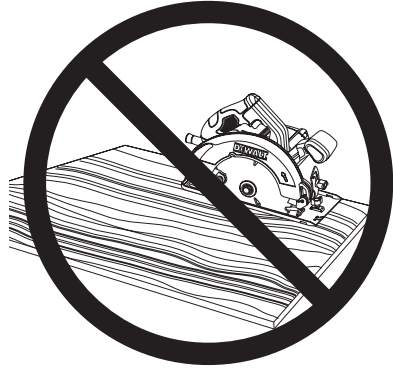
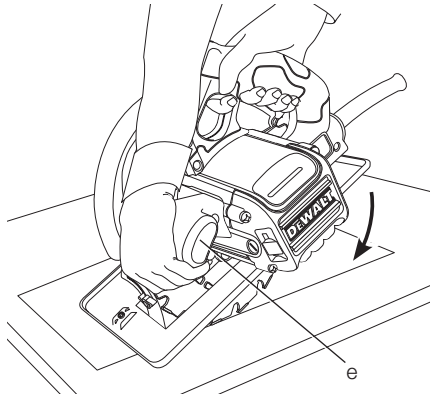


Figure 17



184 mm (7-1/4") CIRCULAR SAW, DWE561, DWE565

Congratulations!

You have chosen a DEWALT tool. Years of experience, thorough product development and innovation make DEWALT one of the most reliable partners for professional power tool users.

Technical Data

		DWE561	DWE565
Voltage	V	220-240	220-240
Type		1	1
Power input	W	1200	1250
No-load speed	min ⁻¹	5500	5500
Blade diameter	mm	184	184
Maximum depth of cut at			
90°	mm	65	65
45°	mm	42	42
Blade bore	mm	20	20
Bevel angle adjustment		48°	55°
Weight	kg	3.60	3.70

Definitions: Safety Guidelines

The definitions below describe the level of severity for each signal word. Please read the manual and pay attention to these symbols.



DANGER: Indicates an imminently hazardous situation which, if not avoided, **will** result in **death or serious injury**.



WARNING: Indicates a potentially hazardous situation which, if not avoided, **could** result in **death or serious injury**.



CAUTION: Indicates a potentially hazardous situation which, if not avoided, **may** result in **minor or moderate injury**.

NOTICE: Indicates a practice **not related to personal injury** which, if not avoided, **may** result in **property damage**.



Denotes risk of electric shock.



Denotes risk of fire.



WARNING: To reduce the risk of injury, read the instruction manual.

General Power Tool Safety Warnings



WARNING! Read all safety warnings and all instructions. Failure to follow the warnings and instructions may result in electric shock, fire and/or serious injury.

SAVE ALL WARNINGS AND INSTRUCTIONS FOR FUTURE REFERENCE

The term "power tool" in the warnings refers to your mains-operated (corded) power tool or battery-operated (cordless) power tool.

1) WORK AREA SAFETY

- Keep work area clean and well lit.** Cluttered or dark areas invite accidents.
- Do not operate power tools in explosive atmospheres, such as in the presence of flammable liquids, gases or dust.** Power tools create sparks which may ignite the dust or fumes.
- Keep children and bystanders away while operating a power tool.** Distractions can cause you to lose control.

2) ELECTRICAL SAFETY

- Power tool plugs must match the outlet. Never modify the plug in any way. Do not use any adapter plugs with earthed (grounded) power tools.** Unmodified plugs and matching outlets will reduce risk of electric shock.
- Avoid body contact with earthed or grounded surfaces such as pipes, radiators, ranges and refrigerators.** There is an increased risk of electric shock if your body is earthed or grounded.
- Do not expose power tools to rain or wet conditions.** Water entering a power tool will increase the risk of electric shock.
- Do not abuse the cord. Never use the cord for carrying, pulling or unplugging the power tool. Keep cord away from heat, oil, sharp edges or moving parts.** Damaged or entangled cords increase the risk of electric shock.
- When operating a power tool outdoors, use an extension cord suitable for outdoor**

use. Use of a cord suitable for outdoor use reduces the risk of electric shock.

- f) **If operating a power tool in a damp location is unavoidable, use a residual current device (RCD) protected supply.** *Use of an RCD reduces the risk of electric shock.*

3) PERSONAL SAFETY

- a) **Stay alert, watch what you are doing and use common sense when operating a power tool. Do not use a power tool while you are tired or under the influence of drugs, alcohol or medication.** *A moment of inattention while operating power tools may result in serious personal injury.*
- b) **Use personal protective equipment. Always wear eye protection.** *Protective equipment such as dust mask, non-skid safety shoes, hard hat, or hearing protection used for appropriate conditions will reduce personal injuries.*
- c) **Prevent unintentional starting. Ensure the switch is in the off position before connecting to power source and/or battery pack, picking up or carrying the tool.** *Carrying power tools with your finger on the switch or energising power tools that have the switch on invites accidents.*
- d) **Remove any adjusting key or wrench before turning the power tool on.** *A wrench or a key left attached to a rotating part of the power tool may result in personal injury.*
- e) **Do not overreach. Keep proper footing and balance at all times.** *This enables better control of the power tool in unexpected situations.*
- f) **Dress properly. Do not wear loose clothing or jewellery. Keep your hair, clothing and gloves away from moving parts.** *Loose clothes, jewellery or long hair can be caught in moving parts.*
- g) **If devices are provided for the connection of dust extraction and collection facilities, ensure these are connected and properly used.** *Use of dust collection can reduce dust-related hazards.*

4) POWER TOOL USE AND CARE

- a) **Do not force the power tool. Use the correct power tool for your application.** *The correct power tool will do the job better and safer at the rate for which it was designed.*
- b) **Do not use the power tool if the switch does not turn it on and off.** *Any power*

tool that cannot be controlled with the switch is dangerous and must be repaired.

- c) **Disconnect the plug from the power source and/or the battery pack from the power tool before making any adjustments, changing accessories, or storing power tools.** *Such preventive safety measures reduce the risk of starting the power tool accidentally.*
- d) **Store idle power tools out of the reach of children and do not allow persons unfamiliar with the power tool or these instructions to operate the power tool.** *Power tools are dangerous in the hands of untrained users.*
- e) **Maintain power tools. Check for misalignment or binding of moving parts, breakage of parts and any other condition that may affect the power tool's operation. If damaged, have the power tool repaired before use.** *Many accidents are caused by poorly maintained power tools.*
- f) **Keep cutting tools sharp and clean.** *Properly maintained cutting tools with sharp cutting edges are less likely to bind and are easier to control.*
- g) **Use the power tool, accessories and tool bits etc., in accordance with these instructions taking into account the working conditions and the work to be performed.** *Use of the power tool for operations different from those intended could result in a hazardous situation.*

5) SERVICE

- a) **Have your power tool serviced by a qualified repair person using only identical replacement parts.** *This will ensure that the safety of the power tool is maintained.*

ADDITIONAL SPECIFIC SAFETY RULES FOR CIRCULAR SAWS

Safety Instructions for All Saws

- a) **⚠ DANGER: Keep hands away from cutting area and the blade. Keep your second hand on auxiliary handle, or motor housing.** *If both hands are holding the saw, they cannot be cut by the blade.*
- b) **Do not reach underneath the workpiece.** *The guard cannot protect you from the blade below the workpiece.*
- c) **Adjust the cutting depth to the thickness of the workpiece.** *Less than a full tooth of*

the blade teeth should be visible below the workpiece.

- d) **Never hold piece being cut in your hands or across your leg. Secure the workpiece to a stable platform.** It is important to support the work properly to minimize body exposure, blade binding, or loss of control.
- e) **Hold power tool by insulated gripping surfaces when performing an operation where the cutting tool may contact hidden wiring.** Contact with a "live" wire will also make exposed metal parts of the power tool "live" and shock the operator.
- f) **When ripping, always use a rip fence or straight edge guide.** This improves the accuracy of cut and reduces the chance of blade binding.
- g) **Always use blades with correct size and shape (diamond versus round) of arbour holes.** Blades that do not match the mounting hardware of the saw will run eccentrically, causing loss of control.
- h) **Never use damaged or incorrect blade washers or bolt.** The blade washers and bolt were specially designed for your saw, for optimum performance and safety of operation.

Causes and Operator Prevention of Kickback

- Kickback is a sudden reaction to a pinched, bound or misaligned saw blade, causing an uncontrolled saw to lift up and out of the workpiece toward the operator;
- When the blade is pinched or bound tightly by the kerf closing down, the blade stalls and the motor reaction drives the unit rapidly back toward the operator;
- If the blade becomes twisted or misaligned in the cut, the teeth at the back edge of the blade can dig into the top surface of the wood causing the blade to climb out of the kerf and jump back toward the operator.

Kickback is the result of saw misuse and/or incorrect operating procedures or conditions and can be avoided by taking proper precautions as given below:

- a) **Maintain a firm grip with both hands on the saw and position your arms to resist kickback forces. Position your body to either side of the blade, but not in line with the blade.** Kickback could cause the saw to jump backwards, but kickback forces can be controlled by the operator, if proper precautions

are taken.

- b) **When blade is binding, or when interrupting a cut for any reason, release the trigger and hold the saw motionless in the material until the blade comes to a complete stop. Never attempt to remove the saw from the work or pull the saw backward while the blade is in motion or kickback may occur.** Investigate and take corrective actions to eliminate the cause of blade binding.
- c) **When restarting a saw in the workpiece, centre the saw blade in the kerf and check that saw teeth are not engaged into the material.** If saw blade is binding, it may walk up or kickback from the workpiece as the saw is restarted.
- d) **Support large panels to minimise the risk of blade pinching and kickback.** Large panels tend to sag under their own weight. Supports must be placed under the panel on both sides, near the line of cut and near the edge of the panel.
- e) **Do not use dull or damaged blades.** Unsharpened or improperly set blades produce narrow kerf causing excessive friction, blade binding and kickback.
- f) **Blade depth and bevel adjusting locking levers must be tight and secure before making cut.** If blade adjustment shifts while cutting, it may cause binding and kickback.
- g) **Use extra caution when making a "plunge cut" into existing walls or other blind areas.** The protruding blade may cut objects that can cause kickback.

Lower Guard Safety Instructions

- a) **Check lower guard for proper closing before each use. Do not operate the saw if lower guard does not move freely and close instantly. Never clamp or tie the lower guard into the open position.** If saw is accidentally dropped, lower guard may be bent. Raise the lower guard with the retracting handle and make sure it moves freely and does not touch the blade or any other part, in all angles and depths of cut.
- b) **Check the operation of the lower guard spring. If the guard and the spring are not operating properly, they must be serviced before use.** Lower guard may operate sluggishly due to damaged parts, gummy deposits, or a build-up of debris.

- c) **Lower guard should be retracted manually only for special cuts such as “plunge cuts” and “compound cuts”.** Raise lower guard by retracting handle and as soon as blade enters the material, the lower guard must be released. For all other sawing, the lower guard should operate automatically.
- d) **Always observe that the lower guard is covering the blade before placing saw down on bench or floor.** An unprotected, coasting blade will cause the saw to walk backwards, cutting whatever is in its path. Be aware of the time it takes for the blade to stop after switch is released.

- Health hazards caused by breathing dust developed when working in wood.

Markings on Tool

The following pictograms are shown on the tool:



Read instruction manual before use.

DATE CODE POSITION (FIG. 1)

The date code (z), which also includes the year of manufacture, is printed into the housing.

Example:

2011 XX XX

Year of Manufacture

Additional Safety Instructions for Circular Saws

- **Wear ear protectors.** Exposure to noise can cause hearing loss.
- **Wear a dust mask.** Exposure to dust particles can cause breathing difficulty and possible injury.
- **Do not use blades of larger or smaller diameter than recommended.** For the proper blade rating refer to the technical data. Use only the blades specified in this manual, complying with EN 847-1.
- **Never use abrasive cut-off and diamond wheels. Do not cut concrete, brick, steel or other hard materials.**
- **Do not use water feed attachments.**
- **Use clamps or another practical way to secure and support the workpiece to a stable platform.** Holding the work by hand or against your body leaves it unstable and may lead to loss of control.
- **Do not use this saw as a table saw.**

Package Contents

The package contains:

- 1 184 mm (7-1/4") circular saw (DWE561) or
- 1 184 mm (7-1/4") circular saw (DWE565)
- 1 Circular saw blade
- 1 Blade wrench
- 1 Parallel fence
- 1 Instruction manual
- Check for damage to the tool, parts or accessories which may have occurred during transport.
- Take the time to thoroughly read and understand this manual prior to operation.

Description (fig. 1)



WARNING: Never modify the power tool or any part of it. Damage or personal injury could result.

- Trigger switch
- Main handle
- Blade lock
- End cap
- Auxiliary handle
- Bevel adjustment knob
- Bevel angle adjustment mechanism
- Base plate
- Lower blade guard
- Blade clamping screw
- Lower guard lever
- Upper blade guard

Residual Risks

The following risks are inherent to the use of circular saws.

- Injuries caused by touching the rotating parts or hot part of the tool.

In spite of the application of the relevant safety regulations and the implementation of safety devices, certain residual risks cannot be avoided. These are:

- Impairment of hearing.
- Risk of squeezing fingers when changing the accessory.

- m. Lock-off button (Lock-on button for specified regions)

INTENDED USE

These heavy-duty circular saws are designed for professional wood cutting applications. **DO NOT** use water feed attachments with this saw. **DO NOT** use abrasive wheels or blades. **DO NOT** use under wet conditions or in the presence of flammable liquids or gases. Do not use diamond wheels.

These heavy-duty saws are professional power tools. **DO NOT** let children come into contact with the tool. Supervision is required when inexperienced operators use this tool.

- This product is not intended for use by persons (including children) suffering from diminished physical, sensory or mental abilities; lack of experience, knowledge or skills unless they are supervised by a person responsible for their safety. Children should never be left alone with this product.

Electrical Safety



This appliance is double insulated therefore no earth wire is required. Always check that the power supply corresponds to the voltage on the rating plate.



WARNING: 115 V units have to be operated via a fail-safe isolating transformer with an earth screen between the primary and secondary winding.

If the supply cord is damaged, it must be replaced by a specially prepared cord available through the DEWALT service organisation.

Using an Extension Cable

If an extension cable is required, use an approved 3-core extension cable suitable for the power input of this tool. The minimum conductor size is 1.5 mm²; the maximum length is 30 m.

When using a cable reel, always unwind the cable completely.

ASSEMBLY AND ADJUSTMENTS



WARNING: To reduce the risk of injury, turn unit off and disconnect machine from power source before installing and removing accessories, before adjusting or changing set-ups or when making repairs. An accidental start-up can cause injury.

Changing Blades



CAUTION: The inner flange has a 20 mm diameter on one side and a 19 mm diameter on the other. The side with 19 mm diameter is marked by "19", and the other side with 20mm diameter marked by "20". Use the correct side for the hole diameter of the blade you intend to use. Mounting the blade on the wrong side can result in the dangerous vibration.

TO INSTALL THE BLADE (FIG. 1-4)

1. Using the lower guard lever (k), retract the lower blade guard (l) and place blade on saw spindle against the inner clamp washer (o), making sure that the blade will rotate in the proper direction (the direction of the rotation arrow on the saw blade and the teeth must point in the same direction as the direction of rotation arrow on the saw). Do not assume that the printing on the blade will always be facing you when properly installed. When retracting the lower blade guard to install the blade, check the condition and operation of the lower blade guard to assure that it is working properly. Make sure it moves freely and does not touch the blade or any other part, in all angles and depths of cut.
2. Place outer clamp washer (n) on saw spindle with the large flat surface against the blade and the wording on the outer clamp washer facing you.
3. Thread blade clamping screw (j) into saw spindle by hand (screw has right-hand threads and must be turned clockwise to tighten).
4. Depress the blade lock (c) while turning the saw spindle with the blade wrench until the blade lock engages and the blade stops rotating.
5. Tighten the blade clamping screw firmly with the blade wrench.

NOTE: Never engage the blade lock while saw is running, or engage in an effort to stop the tool. Never turn the saw on while the blade lock is engaged. Serious damage to your saw will result.

TO REPLACE THE BLADE (FIG. 2-4,)

1. To loosen the blade clamping screw (j), depress the blade lock (c) and turn the saw spindle with the blade wrench (s) until the blade lock engages and the blade stops rotating. With the blade lock engaged, turn the blade clamping screw counterclockwise with the blade wrench (screw has right-hand threads and must be turned counterclockwise to loosen).
2. Remove the blade clamping screw (j) and outer clamp washer (n). Remove old blade.

- Clean any sawdust that may have accumulated in the guard or clamp washer area and check the condition and operation of the lower blade guard as previously outlined. Do not lubricate this area.
- Always use blades that are the correct size (diameter) with the proper size and shape center hole for mounting on the saw spindle. Always assure that the maximum recommended speed (rpm) on the saw blade meets or exceeds the speed (rpm) of the saw.
- Follow steps 1 through 5 under **To Install the Blade**, making sure that the blade will rotate in the proper direction.

LOWER BLADE GUARD



WARNING: The lower blade guard is a safety feature which reduces the risk of serious personal injury. Never use the saw if the lower guard is missing, damaged, misassembled or not working properly. Do not rely on the lower blade guard to protect you under all circumstances. Your safety depends on following all warnings and precautions as well as proper operation of the saw. Check lower guard for proper closing before each use. If the lower blade guard is missing or not working properly, have the saw serviced before using. To assure product safety and reliability, repair, maintenance and adjustment should be performed by an authorized service center or other qualified service organization, always using identical replacement parts.



WARNING: Never use the saw whose lower guard kept opening by adding a wedge, string, rubber band, or other materials.

CHECKING THE LOWER GUARD

- Turn tool off and disconnect from power supply.
- Rotate the lower guard lever (fig. 1, k) from the fully closed position to the fully open position.
- Release the lever and observe the guard (k) return to the fully closed position.

The tool should be serviced by a qualified service center if it:

- fails to return to the fully closed position,
- moves intermittently or slowly, or
- contacts the blade or any part of the tool in all angles and depth of cut.

BLADES



WARNING: To minimize the risk of eye injury, always use eye protection. Carbide is a hard but brittle material. Foreign objects in the workpiece such as wire or nails can cause tips to crack or break. Only operate saw when proper saw blade guard is in place. Mount blade securely in proper rotation before using, and always use clean, sharp blade.

If you need assistance regarding blades, please contact your local DEWALT dealer.

Depth of Cut Adjustment (fig. 5–7)

- Raise the depth adjustment lever (p) to loosen.
- To obtain the correct depth of cut, align the notch (q) on the depth adjustment strap with the appropriate mark on the upper blade guard (l).
- Tighten the depth adjustment lever
- For the most efficient cutting action using a carbide tipped saw blade, set the depth adjustment so that about one half of a tooth projects below the surface of the wood to be cut.
- A method of checking for the correct cutting depth is shown in Figure 7. Lay a piece of the material you plan to cut along the side of the blade, as shown in the figure, and observe how much tooth projects beyond the material.

Bevel Angle Adjustment (fig. 8)

The bevel angle adjustment mechanism (g) can be adjusted between 0° and 48° (0° & 55°: DWE565).

- Turn the bevel adjustment knob (f) to loosen.
- Tilt the foot plate to the desired angle mark on the pivot bracket (u).
- Turn the bevel adjustment knob to retighten.

Kerf Indicator (fig. 9)

The front of the saw shoe has a kerf indicator (t) for vertical and bevel cutting. This indicator enables you to guide the saw along cutting lines penciled on the material being cut. The indicator lines up with the left (inner) side of the saw blade, which makes the slot or "kerf" cut by the moving blade fall to the right of the indicator. The notches on the base plate indicate 0° and 45°.

Adjustable Cord Protector (fig. 10)

The adjustable cord protector (v) allows the cord to be positioned vertical or parallel to the blade. It is shipped in the vertical position.

TO OBTAIN THE PARALLEL POSITION (FIG. 10A)

1. Press the cord protector (v) in as indicated by the arrow.
2. Rotate the cord protector clockwise to the parallel position.

TO OBTAIN THE VERTICAL POSITION (FIG. 10B)

1. Press the cord protector (v) in as indicated by the arrow.
2. Rotate the cord protector counterclockwise to the vertical position.

Mounting and Adjusting the Parallel Fence (fig. 11)

The parallel fence (w) is used for cutting parallel to the edge of the workpiece.

MOUNTING

1. Insert parallel fence adjustment knob (x) into the hole (aa) as shown in Figure 11, keeping the knob loose to allow the parallel fence to pass.
2. Insert the parallel fence (w) into the base plate (h) as shown in Figure 11.
3. Tighten the parallel fence adjustment knob (x).

ADJUSTING

1. Slacken the fence adjustment knob (x) and set the parallel fence (w) to the desired width. The adjustment can be read on the parallel fence scale.
2. Tighten the fence adjustment knob (x).

Prior to Operation

- Make sure the guards have been mounted correctly. The saw blade guard must be in closed position.
- Make sure the saw blade rotates in the direction of the arrow on the blade.
- Do not use excessively worn saw blades.

OPERATION

Instructions for Use



WARNING: Always observe the safety instructions and applicable regulations.



WARNING: To reduce the risk of injury, turn unit off and disconnect machine from power source before installing and removing accessories, before adjusting or changing

set-ups or when making repairs. An accidental start-up can cause injury.

Proper Hand Position (fig. 12)



WARNING: To reduce the risk of serious personal injury, **ALWAYS** use proper hand position as shown.



WARNING: To reduce the risk of serious personal injury, **ALWAYS** hold securely in anticipation of a sudden reaction.

Proper hand position requires one hand on the main handle (b), with the other hand on the auxiliary handle (e).

Switching On and Off (fig. 1)

To run the tool, press the ON/OFF-switch (a). For continuous operation, press the lock-on button (m) and release the ON/Off-switch.

To stop the tool, release the ON/OFF-switch. To stop the tool in continuous operation, press the ON/OFF-switch once more. Always switch OFF the tool when work is finished and before unplugging.

Switching On and Off (safety switch) (fig. 1)

If your saw is equipped with a safety switch to prevent inadvertent operation, please follow the below instruction.

To run the tool, press the lock-off button (m) and subsequently press the ON/OFF-switch (a). Release the lock-off button (m).

To stop the tool, release the ON/OFF-switch (a). Always switch OFF the tool when work is finished and before unplugging.

NOTICE: Do not switch the tool ON or OFF when the saw blade touches the workpiece or other materials.

Workpiece Support (fig. 13–16)



WARNING: To reduce the risk of serious personal injury, support the work properly and hold the saw firmly to prevent loss of control.

Figures 14 and 16 show proper sawing position. Figures 15 and 17 show an unsafe condition. Hands should be kept away from cutting area, and power cord is positioned clear of the cutting area so that it will not get caught or hung up on the work.

To avoid kickback, ALWAYS support board or panel NEAR the cut, (fig. 14 and 16). DON'T support board or panel away from the cut (fig. 15 and 17).

When operating the saw, keep the cord away from the cutting area and prevent it from becoming hung up on the work piece.

ALWAYS DISCONNECT SAW BEFORE MAKING ANY ADJUSTMENTS! Place the work with its “good” side—the one on which appearance is most important—down. The saw cuts upward, so any splintering will be on the work face that is up when you saw it.

Cutting



WARNING: *Never attempt to use this tool by resting it upside down on a work surface and bringing the material to the tool. Always securely clamp the workpiece and bring the tool to the workpiece, securely holding the tool with two hands as shown in Figure 16.*

Place the wider portion of the saw foot plate on that part of the work piece which is solidly supported, not on the section that will fall off when the cut is made. As examples, Figure 16 illustrates the RIGHT way to cut off the end of a board. Always clamp work. Don't try to hold short pieces by hand! Remember to support cantilevered and overhanging material. Use caution when sawing material from below.

Be sure saw is up to full speed before blade contacts material to be cut. Starting saw with blade against material to be cut or pushed forward into kerf can result in kickback. Push the saw forward at a speed which allows the blade to cut without laboring. Hardness and toughness can vary even in the same piece of material, and knotty or damp sections can put a heavy load on the saw. When this happens, push the saw more slowly, but hard enough to keep working without much decrease in speed. Forcing the saw can cause rough cuts, inaccuracy, kickback, and over-heating of the motor. Should your cut begin to go off the line, don't try to force it back on. Release the switch and allow blade to come to a complete stop. Then you can withdraw the saw, sight anew, and start a new cut slightly inside the wrong one. In any event, withdraw the saw if you must shift the cut. Forcing a correction inside the cut can stall the saw and lead to kickback.

IF SAW STALLS, RELEASE THE TRIGGER AND BACK THE SAW UNTIL IT IS LOOSE. BE SURE BLADE IS STRAIGHT IN THE CUT AND CLEAR OF THE CUTTING EDGE BEFORE RESTARTING.

As you finish a cut, release the trigger and allow the blade to stop before lifting the saw from the work. As you lift the saw, the spring-tensioned telescoping guard will automatically close under the blade. Remember the blade is exposed until this occurs.

Never reach under the work for any reason. When you have to retract the telescoping guard manually (as is necessary for starting pocket cuts) always use the retracting lever.

NOTE: When cutting thin strips, be careful to ensure that small cutoff pieces don't hang up on inside of lower guard.

RIPPING

Ripping is the process of cutting wider boards into narrower strips – cutting grain lengthwise. Hand guiding is more difficult for this type of sawing and the use of a DEWALT parallel fence (fig. 11, w) is recommended.

POCKET CUTTING (FIG. 17)



WARNING: *Never tie the blade guard in a raised position. Never move the saw backwards when pocket cutting. This may cause the unit to raise up off the work surface which could cause injury.*

A pocket cut is one that is made in a floor, wall or other flat surface.

1. Adjust the saw foot plate so the blade cuts at desired depth.
2. Tilt the saw forward and rest front of the foot plate on material to be cut.
3. Using the lower guard lever, retract lower blade guard to an upward position. Lower rear of foot plate until blade teeth almost touch cutting line.
4. Release the blade guard (its contact with the work will keep it in position to open freely as you start the cut). Remove hand from guard lever and firmly grip auxiliary handle (e), as shown in Figure 18. Position your body and arm to allow you to resist kickback if it occurs.
5. Make sure blade is not in contact with cutting surface before starting saw.
6. Start the motor and gradually lower the saw until its foot plate rests flat on the material to be cut. Advance saw along the cutting line until cut is completed.
7. Release trigger and allow blade to stop completely before withdrawing the blade from the material.
8. When starting each new cut, repeat as above.

MAINTENANCE

Your DEWALT power tool has been designed to operate over a long period of time with a minimum of maintenance. Continuous satisfactory operation depends upon proper tool care and regular cleaning.



WARNING: *To reduce the risk of injury, turn unit off and disconnect*

machine from power source before installing and removing accessories, before adjusting or changing set-ups or when making repairs. An accidental start-up can cause injury.



Lubrication

Self lubricating ball and roller bearings are used in the tool and lubrication is not required. However, it is recommended that, once a year, you take or send the tool to a service center for a thorough cleaning, inspection and lubrication of the gear case.



Cleaning



WARNING: Blow dirt and dust out of the main housing and the guard area with dry air as often as dirt is seen collecting in and around the air vents. Wear approved eye protection and approved dust mask when performing this procedure.

LOWER GUARD

The lower guard should always rotate and close freely from a fully open to fully closed position. Always check for correct operation before cutting by fully opening the guard and letting it close. If the guard closes slowly or not completely it will need cleaning or servicing. Do not use the saw until it functions correctly. To clean the guard, use dry air or a soft brush to remove all accumulated sawdust or debris from the path of the guard and from around the guard spring. Should this not correct the problem, it will need to be serviced by an authorized service center.



WARNING: Never use solvents or other harsh chemicals for cleaning the non-metallic parts of the tool. These chemicals may weaken the materials used in these parts. Use a cloth dampened only with water and mild soap. Never let any liquid get inside the tool; never immerse any part of the tool into a liquid.

Blades

A dull blade will cause inefficient cutting, overload on the saw motor, excessive splintering and increase the possibility of kickback. Change blades when it is no longer easy to push the saw through

the cut, when the motor is straining, or when excessive heat is built up in the blade. It is a good practice to keep extra blades on hand so that sharp blades are available for immediate use. Dull blades can be sharpened in most areas.

Hardened gum on the blade can be removed with kerosene, turpentine, or oven cleaner. Anti-stick coated blades can be used in applications where excessive build-up is encountered, such as pressure treated and green lumber.

Optional Accessories



WARNING: Since accessories, other than those offered by DEWALT, have not been tested with this product, use of such accessories with this tool could be hazardous. To reduce the risk of injury, only DEWALT recommended accessories should be used with this product.

DO NOT USE WATER FEED ATTACHMENTS WITH THIS SAW.

VISUALLY EXAMINE CARBIDE BLADES BEFORE USE. REPLACE IF DAMAGED.

Consult your dealer for further information on the appropriate accessories.

Protecting the Environment



Separate collection. This product must not be disposed of with normal household waste.



Should you find one day that your DEWALT product needs replacement, or if it is of no further use to you, do not dispose of it with household waste. Make this product available for separate collection.



Separate collection of used products and packaging allows materials to be recycled and used again. Re-use of recycled materials helps prevent environmental pollution and reduces the demand for raw materials.

Local regulations may provide for separate collection of electrical products from the household, at municipal waste sites or by the retailer when you purchase a new product.

DEWALT provides a facility for the collection and recycling of DEWALT products once they have reached the end of their working life. To take advantage of this service please return your product to any authorised repair agent who will collect them on our behalf.

You can check the location of your nearest authorised repair agent by contacting your local DEWALT office at the address indicated in this manual. Alternatively, a list of authorised DEWALT repair agents and full details of our after-sales service and contacts are available on the Internet at: **www.2helpU.com**.

184 毫米 (7-1/4") 电圆锯, DWE561

祝贺您!

您已选择了得伟工具。凭借多年的经验和产品开发及创新方面的不断努力,得伟已经成为专业电动工具用户的最可靠伙伴之一。

技术参数

		DWE561
电压	伏特	220
类型		1
输入功率	瓦	1200
空载转速	转/分	5500
锯片直径	毫米	184
最大切割深度, 位于		
90°	毫米	65
45°	毫米	42
锯片孔	毫米	20
斜角调节		48°
重量	千克	3.60

定义: 安全准则

下列定义解释了各警示词的严重程度。请仔细阅读本手册并注意这些符号。



危险: 指示紧急的危险情形, 如不加以避免, 将导致死亡或严重伤害。



警告: 指示潜在的危险情形, 如不加以避免, 可能导致死亡或严重伤害。



警示: 指示潜在的危险情形, 如不加以避免, 可能导致轻度或中度伤害。

注意: 指示不涉及人身伤害的情况, 如不加以避免, 可能导致财产损失。



表示有触电风险。



表示存在火灾风险。



警告: 为降低伤害风险, 请阅读使用手册。

电动工具一般安全警告



警告! 请仔细阅读所有安全警告和指示说明。不遵循下列的警告和指示则可能会导致触电、火灾和/或严重伤害。

请保存好所有警告和指示, 以备将来查阅

警告中的“电动工具”一词指的是您的电网电源供电(有绳)电动工具、或电池驱动(无绳)电动工具。

1) 工作场地安全

- 保持工作场地清洁和明亮。混乱或黑暗的场地会引发事故。
- 不要在易爆环境, 如有易燃液体、气体或粉尘的环境中操作电动工具。电动工具产生的火花会点燃粉尘或气体。
- 让儿童和旁观者离开后操纵电动工具。分心会使您放松控制。

2) 电气安全

- 电动工具插头必须与插座相配, 绝不能以任何方式改装插头。需要接地的电动工具不能使用任何转换插头。未经改装的插头和相配的插座将减少触电危险。
- 避免人体接触接地表面, 如管道、散热片、炉灶和冰箱等。如果您的身体接地会增加触电危险。
- 不得将电动工具暴露在雨中或潮湿环境中。水进入电动工具将增加触电危险。
- 不得滥用电线, 绝不能用电线搬运、拉动电动工具或拔出其插头。让电线远离热、油、锐边或运动部件。受损或缠绕的电线会增加触电危险。

- e) 在户外使用电动工具时，请使用适合户外使用的外接电线。适合户外使用的电线将减少触电危险。
- f) 如果必须在潮湿场合使用电动工具，请使用漏电保护器 (RCD)。使用 RCD 可降低触电危险。

3) 人身安全

- a) 保持警觉。当操作电动工具时，关注所从事的操作并保持清醒。切勿在疲倦、药物、酒精或治疗反应的情况下操作电动工具。在操作电动工具期间精力分散会导致严重人身伤害。
- b) 使用个人防护装置。始终佩戴护目镜。安全装置，诸如适当条件下的防尘面具、防滑安全鞋、安全帽或听力防护等装置能减少人身伤害。
- c) 避免意外启动。连接电源和/或电池盒、拿起或搬动电动工具之前，请确保开关处于 **off** (关断) 位置。手指放在开关上搬运电动工具，或开关处于接通状态时插入插头均可引发危险。
- d) 在电动工具接通之前，请取下所有调节钥匙或扳手。遗留在电动工具旋转零件上的扳手可能会导致人身伤害。
- e) 手不要伸得太长。时刻保持身体平衡，并找到合适的落脚点。这样在意外情况下也能很好地控制电动工具。
- f) 着装适当。不要穿宽松衣服或佩戴饰品。让您的头发、衣服和手套远离运动部件。宽松衣服、佩饰或长发可能会卷入运动部件内。
- g) 如果提供了与排屑装置、集尘设备连接用的装置，请确保它们连接完好且使用得当。使用这些装置可减少粉尘引起的危险。

4) 电动工具使用和注意事项

- a) 不要强制使用电动工具，根据用途使用适当的电动工具。按设计额定值使用的适当电动工具会让您的工作更有效、更安全。
- b) 如果开关不能接通或关断工具电源，请勿使用该电动工具。不能用开关来控制电动工具是危险的且必须进行修理。
- c) 在进行任何调节、更换附件或贮存电动工具之前，必须将插头从电源上拔掉和/或将电池盒取下。这种防护性措施将减少电动工具突然启动的危险。
- d) 将闲置的电动工具贮存在儿童所及范围之外，并且不要让不熟悉电动工具或对这些说明不了解的人操作电动工具。电动工具在未经培训的用户手中是危险的。
- e) 保养电动工具。检查运动部件是否有任何安装偏差或卡住、零件破损情况和影响电动工具运行的其它条件。如有损坏，电动工具必须在使用前修理好。许多事故均由维护不良的电动工具引发。
- f) 保持切割刀具锋利和清洁。保养良好、切割锋利的刀具不易卡住而且更容易控制。
- g) 按照使用说明书，并考虑作业条件和具体进行的工作来使用电动工具、附件和工具刀头等。将电动工具用作那些与要求不符的操作可能会导致危险情况。

5) 维修

- a) 将您的电动工具送交专业维修人员，必须使用同样的备件进行更换。这将确保电动工具的安全性。

电圆锯附加具体安全规则

所有电圆锯的安全指南

危险:

- a) 让手始终远离锯割区域和锯片。你的另一只手始终握住辅助手柄或电动机机壳。如果双手都握住电圆锯，就不会被锯片伤害。
- b) 不得接触工件的下面。护罩不能防止工件下方锯片的危险。
- c) 将锯割深度调至工件的厚度。能看到在工件下露出的锯齿应不到一个齿高。

- d) 不得手持工件或将工件架在腿上进行锯割，应将工件夹紧在一个稳定的平台上。适当支撑工件对减少人身伤害、锯片卡住或操作失控是至关重要的。
- e) 在锯割工具进行操作时有可能碰到暗线或自身电线的场合，须通过绝缘握持面来握住电动工具。碰到“带电”电线也会使工具的裸露金属部分带电，从而使操作者触电。
- f) 当作劈锯时，始终使用劈锯护栏和直边导向器。这样改善了锯割精度并减小了锯片卡住的几率。
- g) 始终使用尺寸和轴心形状（菱形或圆形）得当的锯片。如果锯片与圆锯夹装部件不符将引起偏心运转而导致失控。
- h) 不得使用损坏的和尺寸不符的垫圈和螺栓。改善作业和安全运行，锯片垫圈及螺栓是为圆锯专门设计的。
- b) 当锯片卡住，或因任何原因导致的锯割中断时，释放开关扳机并握持圆锯在材料中不移动，直到锯片完全停止。不得在锯片处于运转或可能发生回弹情况下尝试将圆锯从工件中拿走或向后拉动圆锯。调查并采取正确的措施以消除锯片卡住的原因。
- c) 当在工件中重新起动机圆锯时，将锯片对准切口并检查锯齿是否插入材料。如果锯片卡住了，工具重新起动机时，锯片会爬出工件或从工件上回弹。
- d) 支撑大型板料以减少锯片受挤压和回弹的危害。大型板料因自重向下垂，支撑物必须放置在板料下面的两侧，靠近切割线和板料边缘都要放置。
- e) 不得使用钝的或破损的锯片。没有开锋的或安装不当的锯片会形成窄小的锯痕，从而导致剧烈摩擦、锯片卡住和回弹。
- f) 锯割之前，锯割深度和倾角调节锁定钮必须旋紧和紧固。如果锯割时锯片调节器发生移动，可能会引起锯片卡住和回弹。
- g) 当对现存墙体或其他盲区进行“插入式锯割”时要格外小心。伸出锯片可能会锯割到引起回弹的物体。

对各种圆锯的进一步安全说明

回弹的原因和操作者防护：

- 回弹是当锯片受挤压、被卡住或偏离中心时的突然反作用，使圆锯不受控制地抬起并脱离工冲向操作者。
- 当锯片受挤压或被收拢的切口紧紧卡住时，锯片堵转且电动机反作用力驱使整机朝操作者快速弹回。
- 如果锯片发生扭曲或偏离锯割面，锯片后边缘上的锯齿会挖入木材上表面从而引起锯片爬出切口并朝操作者回弹。

回弹是误用圆锯和/或不正确操作程序或条件导致结果，采取以下适当预防措施可避免回弹：

- a) 双手紧握圆锯上的把手，双臂放置得能抵住回弹力。身体处于圆锯的任意一侧而不对准锯片。回弹会导致圆锯的向后弹起，但如果采取了适当的防备措施，回弹力可以受操作者的控制。

圆锯的安全说明

- a) 每次使用前，检查下护罩闭合是否自如。如果下护罩不能迅速回复，则不得操作圆锯。不得将下护罩夹住或系绑在开启位置。如果圆锯突然跌落，下护罩可能会弯曲变形，用回缩手柄抬起下护罩，确信在任何锯割角度和深度下护罩回缩自如，且不会触及锯片和任何其它零件。
- b) 检查下护罩弹簧的工作情况，如果护罩及弹簧不能正常工作，必须在使用前对其进行维修。下护罩可能因零件损害、胶质沉积或废屑堆积而运动迟缓。
- c) 仅当特殊锯割，例如“插入式锯割”和“组合式锯割”，才应用手动方式抬起下护

罩。用回缩手柄抬起下护罩，锯片刚一进入到锯割材料就必须释放下护罩。对所有其他锯割作业，下护罩应自动回复。

- d) 在把圆锯放置在工作台或地上之前始终能看到下护罩是遮住锯片的。未经防护的、有惯性的锯片引起圆锯后退，锯割到其行程上的物体，要考虑到开关释放后锯片停下来的时间。

电圆锯附加安全指南

- 请佩戴听力保护器。暴露在噪音中会损伤听力。
- 请佩戴防尘面罩。暴露在粉尘微粒中可能会导致呼吸苦难和可能的伤害。
- 请勿使用大于或小于推荐直径的锯片。参考技术参数选择合适的锯片级别。仅使用本手册规定的锯片。
- 禁止使用研磨切割砂轮和金刚砂轮。不要切割混凝土、砖、钢或其他原始材料。
- 切勿使用给水附件。
- 使用夹具或采取其它可行的方法，把工件可靠地固定在稳定的平台上。手持或用身体顶住工件都是不稳定的，可能会造成失控。
- 不要将此电圆锯作为桌型圆锯机使用。

剩余风险

使用电圆锯时具有下列固有风险。

- 碰触工具的旋转部件或带热的部件会导致人身伤害。

尽管遵守了相关安全法规并采用安全装备，但某些剩余风险是不可避免的，它们是：

- 听力损伤。
- 更换附件时扭伤手指的风险。
- 锯切木材时，吸入粉尘导致的健康危害。

工具上的标识

本工具有下列图形：



使用前请仔细阅读使用手册。

日期码位置 (图 1A)

包含制造年份的日期码 (z) 印在工具外壳上。

示例：

2011 XX XX

制造年份

包装内容

本包装内含有：

184 毫米 (7-1/4") 电圆锯 (DWE561) 1 台

电圆锯锯片 1 片

锯片扳手 1 把

使用手册 1 本

- 检查工具、部件或附件是否在运输过程中损坏。
- 使用前，请抽空透彻阅读并理解本手册。

描述 (图 1)



警告：切勿修改本电动工具或其任何部件。否则，可能造成人身伤害或工具损坏。

- 触发开关
- 主握柄
- 锯片锁
- 端盖板
- 副手柄 (特定区域另售)
- 倾角调节旋钮
- 倾角调节装置
- 底板
- 下锯片护罩

- j. 锯片夹紧螺丝
- k. 下护罩卡杆
- l. 上锯片护罩
- m. 锁止按钮（在某些特定区域为锁定按钮）

预期用途

本重载电圆锯设计用于专业木材切割的应用。**请勿**将本电圆锯与给水附件一起使用。**请勿**使用任何研磨轮或锯片。**不得**在潮湿或存在易燃液体、气体的环境中使用本工具。不要使用金刚砂轮。

本重载电圆锯是专业型电动工具。**不得**让儿童接触本工具。无使用经验的人必须在监督下使用本工具。

- 本产品不适合体力、感觉或智力不足，或者缺乏经验及知识的人员（包括小孩）使用，除非一旁有能为他们的安全负责的监督人员。**不得**在无人监管的情况下让儿童触及本产品。

电气安全



本设备为双重绝缘，因此无须接地线。请务必确认电源电压是否与标牌上标明的电压一致。

如果电源线损坏，必须采用得伟维修机构提供的专用线进行更换。

使用延长电缆

如需使用延长电缆，请使用与本工具的输入功率匹配的经检验 3 芯延长线。最小导体尺寸为 1.5 平方毫米，最大长度为 30 米。

使用电缆卷筒时，请始终保持电缆完全展开。

安装与调节



警告：为降低人身伤害的风险，在拆、装附件或调整、修理工具之前，请关闭工具并拔出工具插头。意外启动容易造成人身伤害。

更换锯片



注意：内法兰一面的直径为19毫米，另一面为20毫米，直径为19毫米以“19”标记另一面直径为20毫米以“20”标记。请根据您要使用的锯片孔直径来选择正确安装面。如果将锯片装在错误的一面，有可能导致危险的振动。

安装锯片（图 1-4）

1. 使用下护罩卡杆 (k) 将下锯片护罩 (i) 收起，然后将锯片置于电圆锯主轴、并靠在内夹垫圈 (o) 上，确保锯片旋转的方向正确（锯片及锯齿上的旋转箭头要与电圆锯上的旋转箭头朝向一致）不要以为在正确安装的情况下锯片上的印刷文字始终都会面向您。收起下锯片护罩安装锯片时，请检查下锯片护罩的状况和运行，以确保其运行正常。确保在锯割的任何角度、任何深度，下锯片护罩都能够运动自由，并且碰不到锯片或任何其它部件。
2. 将外夹垫圈 (n) 置于电圆锯主轴上，让较大的平面靠锯片上，请注意，外夹垫圈上的印刷文字要面向您。
3. 用手将锯片夹紧螺丝 (j) 拧上电圆锯主轴（螺丝螺纹为右旋螺纹，必须顺时针旋转以紧固）。
4. 按下锯片锁 (c)，同时小心使用锯片扳手旋转电圆锯主轴，直至锯片锁啮合、锯片停止转动。
5. 使用锯片扳手紧固锯片夹紧螺丝。

注意：切勿在电圆锯还在运行的时候按下锯片锁，或为了让工具停止运行按下锯片锁。切勿在锯片锁已按下时启动电圆锯。这将严重损坏您的电圆锯。

更换锯片（图 2-4）

1. 松开锯片夹紧螺丝 (j)，按下锯片锁 (c)，同时小心使用锯片扳手 (s) 旋转电圆锯主

轴，直至锯片锁啮合、锯片停止转动。当锯片锁已啮合，请使用锯片扳手逆时针转动锯片夹紧螺丝（螺丝螺纹为右旋螺纹，必须逆时针旋转以松开）。

- 取下锯片夹紧螺丝 (j) 和外夹垫圈 (n)。拆下旧锯片。
- 把积聚在护罩和垫圈附近的锯屑清理干净，检查下锯片护罩的状况和运行，如上所述。不要在这些部位进行润滑。
- 始终要使用尺寸（直径）正确、中心孔尺寸和形状适于安装在电圆锯主轴上的锯片。切记确保锯片的最大建议转速 (rpm) 符合或超越电圆锯的转速 (rpm)。
- 遵循安装锯片中的步骤 1 至 5，确保锯片将于正确的方向旋转。

下锯片护罩



警告：下锯片护罩是一项能够降低严重人身伤害风险的安全功能。如果该护罩已丢失、损坏、安装不当或不能正常运行，绝不可使用电圆锯。不要完全依赖下锯片护罩，不要假设下锯片护罩在所有情况下都可提供保护。若要保障安全，您必须同时遵守所有的警告和预防措施并正确操作电圆锯。每次使用前，要检查下护罩是否能够正确闭合。若下护罩已丢失或不能正常运行，请将电圆锯送交维修再使用。为了确保产品安全及可靠，所有的维修、保养和调节，均应该由授权的检修中心或合格机构执行，并始终使用相同的备件进行更换。



警告：禁止使用因添加楔形物、绳索、橡皮圈或其他材料而使下护罩一直处于打开的电圆锯。

检查下护罩

1. 关闭工具电源并断开工具的电源连接。

2. 转动下护罩卡杆（图 1、k），从完全闭合的位置至完全开敞的位置。
3. 松开卡杆，直至护罩 (k) 恢复到完全闭合的位置。

如符合任何以下情况，电动工具必须送交授权的检修中心进行维修：

- 无法恢复到完全闭合的位置、
- 运动断续或缓慢、
- 运动时以任何角度、任何深度触及锯片或任何其它部件。

锯片



警告：为减低眼睛受伤风险，请始终使用护目装备。硬质合金是一种硬脆性材料。工件上的异物如电线或钉子会导致工件边缘部位破裂或碎裂。仅在锯片护罩固定到位时操作电圆锯。使用前，请以正确的旋转方向牢固安装锯片，并且始终使用干净和锋利的锯片。

若您需要有关锯片方面的协助，请联系您的当地 DeWALT 代理商。

切割深度调节（图 5-7）

1. 升起深度调节卡杆 (p) 以松开。
2. 若要获得正确的切割深度，请将深度调节带上的凹口 (q) 与上锯片护罩 (l) 上的相应标记对齐。
3. 拉紧深度调节卡杆
4. 欲使用硬质合金镶齿锯片获得最佳切割效应，即可设置深度调节，确保要切割木材下面突出半个锯齿的长度。
5. 请参照图 7，学习如何检查正确的切割深度。如图显示，将您要切割的材料放置于锯片的一侧，观察锯齿突出于材料的长度。

斜角调节（图 8）

倾角调节装置 (g) 可在 0° 至 48° 间进行调节。

1. 转动以松开倾角调节旋钮 (f)。
2. 倾斜支脚板至枢轴支架 (u) 上的所需角度。
3. 旋转倾角调节旋钮以重新拧紧。

锯缝指示线 (图 9)

电圆锯锯座前部有一根线，为锯缝指示线 (t)，用于直切和斜切。锯缝指示线能够导电圆锯沿着被切割的材料上的铅笔线行进。锯缝指示线和锯片的左 (内) 侧齐平，这样锯片切割出的锯缝就落在锯缝指示线的右侧。底板上的凹口指示 0° 和 45°。

可调整电线保护器 (图 10)

该可调整电线保护器 (v) 让电线可以垂直或平行于锯片。它装运时是处于垂直位置。

设置平行位置 (图 10A)

1. 如箭头显示，按下电线保护器 (v)。
2. 顺时针旋转电线保护器至平行位置。

设置垂直位置 (图 10B)

1. 如箭头显示，按下电线保护器 (v)。
2. 逆时针旋转电线保护器至垂直位置。

安装及调节平行导尺 (图 11)

平行导尺 (w) 用来进行和工件边缘平行的切割。

安装

1. 如图 11 显示，将平行导尺调节旋钮 (x) 插入孔 (aa) 中，切勿拧紧旋钮，以允许平行导尺通过为宜。
2. 如图 11 显示，将平行导尺 (w) 插入底板 (h)。
3. 拧紧平行导尺调节旋钮 (x)。

调节

1. 松开平行导尺调节旋钮 (x)，然后将平行导尺 (w) 设置到所需宽度。平行导尺刻度显示您的调节宽度。
2. 拧紧导尺调节旋钮 (x)。

使用前的准备工作

- 确保所有护罩已正确安装。锯片护罩必须处于闭合位置。
- 请确保锯片旋转方向与锯片上箭头所指方向一致。
- 禁止使用过度磨损的锯片。

操作

使用须知



警告： 坚持遵守安全指南和适用的规程。



警告： 为降低人身伤害的风险，在拆、装附件或调整、修理工具之前，请关闭工具并拔下工具插头。意外启动容易造成人身伤害。

正确手部位置 (图 12)



警告： 为降低严重人身伤害风险，请始终使用正确的手部位置，如图所示。



警告： 为降低严重人身伤害风险，请始终紧握工具以防止意外事件。

正确的手部位置要求一只手握住主握柄 (b)，另一只手则握住副手柄 (e)。

启动与关闭 (安全开关) (图 1)

若您的电圆锯装配了防止操作失误的安全开关，请遵守以下指示。

要运行工具，请按下锁止按钮 (m)，然后再按下开关 (a)。松开锁止按钮 (m)。

要停止工具，请松开开关 (a)。在工作完毕以及拔下工具插头之前，请务必关闭工具开关。

注意： 当锯片正触及工件和其他材料时，务必不要启动或关闭工具。

工件支撑 (图 13-16)



警告：为降低严重人身伤害风险，请妥善支撑工件并牢牢持握电圆锯，以避免失去控制。

图 14 和 16 显示了正当的锯切状态。图 15 和 17 显示危险状态。双手应远离切割区域，电源线要放置于切割区域外，以不至于缠绕或悬挂在工件上。

为避免反冲，请始终在位于切割位置的附近支撑板或板材（图 14 和 16）。切勿在远离切割位置的位置支撑板或板材（图 15 和 17）。操作电圆锯时，让电线远离切割区域，以不至于缠绕或悬挂在工件上。

进行任何调节之前，务必一定要关闭电圆锯电源！将工件以其“好”的一面，即外观上最重要的一面朝下放下。本电圆锯朝上切割，因此锯切时只会朝上的那面产生碎屑。

切割



警告：切勿尝试把工具放置在工作面上，把材料带到工具的面前切割。请始终夹紧工件，把工具带到工件的面前，用双手紧握工具，如图 16 显示。

请将电圆锯支脚板较宽的部分放置于支撑稳当的工件端上，不要放在切割完毕后将会掉落的那一端上。作为示例，图 16 示意了切下板末的正确方法。始终要用夹具夹紧工件。不要尝试用手握住短小的工件！请记得要为悬臂的悬挂的材料提供支撑。从下方锯切材料时要加倍当心。

确保锯片接触要切割的材料前电圆锯已经达到最高转速。锯片靠着被切割的材料启动或者启动中推入锯缝可能会导致反冲。掌握向前推锯的速度，应感到锯片不吃力。即便在同一块材料中，材料的硬度和韧性也不一定一样，多节和潮湿的部分都会加重电圆锯的负荷。这时，要慢些推锯，但要以推锯速度没有减慢太多为

准。强行推锯会造成锯缝粗糙、精度降低、反冲，以及马达过热。如果出现跑锯的情况，不要试图强行拉回。松开开关，让锯片完全停止。抽出锯片，重新察看，从刚刚的锯缝稍内的位置开始重新入锯。任何情况下，要纠正锯缝都要先撤出锯片。在锯缝内强行纠偏会导致停锯并带来反冲后坐。

若出现停锯，请松开触发开关，然后向后拉锯，直到锯片松动。重新启动前，请确保锯片和锯缝对直，并且未触及锯缝边缘。

完成切割后，请松开触发开关，让锯片完全停止后再从工件中抽出电圆锯。抬起电圆锯时，弹簧绷紧压入的护罩会自动在锯片下方关闭。切记在这之前，锯片是外露的。无论什么理由，绝不可在此前接触工件下方。如果不得不手动抬起护罩（例如在开始进行袋形切割时），请一定要使用收缩柄。

注意：在切割细长条时，要小心确保切下的小木块不要被悬卡在下护罩中。

纵向切割

纵向切割就是将较宽的版材切割成较窄的板条，即按材料纹理纵向锯切。此类锯切较难用手引导，建议使用得伟平行导尺（图 11、w）。

袋形切割 (图 17)



警告：切勿将锯片护罩绑至提升位置。切勿在进行袋形切割时将电圆锯往后移动。这将可能导致工具从工件表面弹出，造成人身伤害。

袋形切割是在地板、墙壁或其它平坦表面上进行的切割。

1. 调节电圆锯支脚板，让锯片触及所需深度切割。
2. 向前倾斜电圆锯，让支脚板的前端靠在与要切割的材料上。
3. 使用下护罩卡杆，将下锯片护罩收起至靠上位置。降低支脚板后端，直至锯锯齿几乎触及切割线。

4. 松开锯片护罩（护罩与工件的接触将使其保持在所在位置，并在开始切割时自由打开）。将手从护罩卡杆移开，并紧握副手柄，如图 18 显示。提调整身体和手臂的位置，以在反冲发生时做出抵挡。
5. 在启动电圆锯之前，请确保锯片没有触及切割表面。
6. 启动马达，缓缓降低电圆锯，直至电圆锯支脚板平躺在要切割的材料上。沿着切割线推进电圆锯，直至完成切割。
7. 松开触发开关，让锯片完全停止后再从材料中撤出锯片。
8. 请在每一次新的切割作业前重复上述步骤。

步骤时，请佩戴经认可的护目镜和面罩。

下护罩

下护罩始终应该从一个完全开敞的位置自由旋转并关闭至完全闭合的位置。在进行切割之前，始终要完全开打护罩再让其关闭，由此检查护罩是否正确运行。如果关闭缓慢或没有完全关闭，则将需要进行清洁或维修。在护罩未能正确运行之前，请不要使用本电圆锯。若要清洁护罩，请用干燥的空气或软刷移除护罩路径上及护罩弹簧周围的锯屑和碎屑。如果这还不能纠正问题，则将需要送交授权的检修中心进行维修。

维护

您的得伟电动工具设计精良，可以长期运作，而只需极少的维护。要连续获得令人满意的工作效果，需要您进行正确的保养和定期的清洁。



警告：为降低人身伤害的风险，在拆、装附件或调整、修理工具之前，请关闭工具并拔下工具插头。意外启动容易造成人身伤害。



润滑剂

本工具使用了自润滑滚珠和滚珠轴承，无需润滑剂。尽管如此，建议您每年将工具带往或送交检修中心，进行一次彻底的齿轮箱清洁、检查和润滑。



清洁



警告：一旦发现通风口及其周围积聚了尘屑，请用干燥的空气将灰尘和尘屑从主机外壳内吹出。进行此



警告：切勿使用溶剂或其它刺激性化学制品来清洁工具的非金属部件。这些化学品可能会削弱此类部件中使用的材料。只可使用蘸有软性肥皂水的抹布进行清洁。切勿使任何液体进入工具：切勿将工具的任何部分浸入液体中。

锯片

钝化的锯片将导致切割效能降低、电圆锯马达超载、过量产生碎屑，并且会增加反冲发生的几率。当您无法再轻松推进电圆锯时、当马达超载时、或当锯片累积过多热量时，则必须更换锯片。最好随时准备多余的锯片，以便随时使用锋利的锯片。大多数的锯片钝化区域都可以被磨利。

可以使用煤油、松节油或烤炉清洁剂清除锯片上硬化的树脂。在树脂过量堆积的应用中，如经过压力处理及未经干燥的木材，您可以使用抗粘性涂层锯片。

可选附件



警告：由于非得伟供应的附件未经本产品匹配测试，将此类附件用于本工具可能造成危险。为降低伤害风险，本产品仅可使用得伟推荐的附件。

请勿将本电圆锯与给水附件一起使用。

使用前请目视检查硬质合金锯片。如有损坏，请更换。

有关适当附件的更多信息，请详询您的代理商。

保护环境



分类回收。本产品不得与普通家庭垃圾一起处理。

如果某一天您的得伟产品需要更换或不再使用，请不要把它和家庭垃圾一起处理。请单独对本产品进行分类回收。



旧产品和旧包装的分类回收可使回收材料得以再循环和再利用。再循环材料的重新利用有助于防止环境污染和减少原料需求。

城市垃圾站或您购买新产品的零售商会向您提供当地家用电器产品分类回收的有关规定。

一旦产品到达它们的工作寿命，得伟提供回收和再循环得伟产品的设施。如需利用此项服务，请将您的产品送交任何经授权的维修代理商，他们将代表我们回收这些产品。

您可通过联系本手册中所载的当地得伟办事处查询最靠近您的授权维修代理的位置。此外，您可以通过网站获得授权的得伟维修代理列表以及我们售后服务与联络方式的全部详情，网站地址：www.2helpU.com。

制造商：百得(苏州)科技有限公司

地 址：苏州工业园区苏虹中路200号出口加工区

产 地：江苏苏州

184 mm (7-1/4") 圓鋸機，DWE561，DWE565

恭喜閣下！

感謝您選購 DeWALT 工具。憑藉多年的產品開發和創新經驗，DeWALT 已成為專業電動工具使用者最信賴的夥伴。

技術資料

		DWE561	DWE565
電壓	伏特	110	110
類型		1	1
額定輸入/額定輸出	瓦特	1200/670	1250/-
空載速度	轉/分	5500	5500
鋸片直徑	mm	184	184
最大鋸切深度			
90°	mm	65	65
45°	mm	42	42
鋸片孔徑	mm	20	20
斜角調整		48°	55°
重量	kg	3.60	3.70

定義：安全指南

以下定義描述了每一個圖案的嚴重程度。請閱讀該手冊並注意這些符號。



危險：表示緊急危險情況，若未能避免，將導致死亡或嚴重傷害。



警告：表示潛在危險情況，若未能避免，可能導致死亡或嚴重傷害。



小心：表示潛在危險情況，若未能避免，可能導致輕微或中度傷害。

注意：表示一種非人身傷害的行為，若未能避免，可能導致財產損失。



表示觸電危險。



表示火災危險。



警告：為了降低受傷的風險，必須仔細閱讀使用手冊。

電動工具一般安全警告



警告！請閱讀所有安全警告及指示。不遵循這些警告和指示可能會導致觸電、火災及/或嚴重傷害。

請妥善保存所有的警告和使用手冊 以備將來查閱

警告中的名詞「電動工具」是指電源驅動（插電）電動工具，或者電池驅動（充電）電動工具。

1) 工作場地安全

- 保持工作場地清潔和明亮。混亂或黑暗的場地會引發事故。
- 不要在易燃環境，如有易燃液體、氣體或塵埃的環境中操作電動工具。電動工具產生的火花會點燃塵埃或氣體。
- 請等待兒童和旁觀者離開之後才操縱電動工具。分心會導致您疏於控制。

2) 電器安全

- 電動工具插頭必須與插座相符。切勿以任何方式改裝插頭。需接地的電動工具不能使用任何配接器插頭。未經改裝的插頭和相符的插座可以減少觸電危險。
- 避免人體接觸接地表面，如管道、散熱片、爐灶和冰箱。若您的身體接地可增加觸電危險。
- 不得將電動工具暴露在雨中或潮濕環境中。水進入電動工具會增加觸電危險。
- 請勿濫用電線。切勿使用電線來搬運、拉動電動工具或拔出插頭。讓電線遠離熱、油、銳邊或活動部件。受損或纏繞的電線可增加觸電危險。
- 若要在戶外使用電動工具，請使用適合戶外使用的延長電線。使用適合戶外使用的電線可減少觸電危險。
- 若必須在潮濕場合使用電動工具，請使用漏電保護器 (RCD)。使用 RCD 可降低觸電危險。

3) 人身安全

- 保持警覺：在操作電動工具時，請留意所執行的操作並按照一般的程式執行。切勿在疲倦，或受到藥物、酒精或治療的影響下操作電動工具。操作電動工具期間注意力分散會導致嚴重人身傷害。
- 使用個人防護裝置。始終佩戴護目鏡。防護裝置，例如在適當條件下可使用的防塵面具、防滑安全鞋、安全帽或聽力保護等裝置可減少人身傷害。
- 避免意外啟動。連接電源/或電池組、檢取或搬運電動工具之前，請確定開關處於 off (關閉) 位置。搬運電動工具時若將手指放在開關上，或是在接通開關電源時插入插頭都會引發危險。
- 接通電動工具之前，請卸下所有的調整鑰匙或扳手。遺留在電動工具旋轉零件上的扳手或鑰匙會導致人身傷害。

- e) 不要過度伸張雙手。時刻注意腳下和身體的平衡。如此即可在發生意外的情況下更好地控制電動工具。
 - f) 適當穿著。不要穿寬鬆衣服或佩戴飾品。讓您的頭髮、衣服和手套遠離活動部件。寬鬆衣服、佩飾或長髮可能會捲入活動部件。
 - g) 若配備用於連接排屑裝置、集塵設備的裝置，請確定正確連接和使用這些裝置。使用集塵設備可減少與塵埃有關的危險。
- 4) 電動工具的使用與注意事項
- a) 不要超負荷使用電動工具。根據您的用途使用適當的電動工具。使用適當的電動工具在其設計可負荷的應用內，會讓您更有效、更安全地執行工作。
 - b) 若開關不能開啓或關閉電源，請勿使用該電動工具。不能用開關來控制的電動工具將存在危險，因此必須進行修理。
 - c) 在執行任何調整、更換配件或儲存工具之前，必須從電源上拔掉插頭及/或卸下電池組。這類防護性措施可降低電動工具意外啓動的風險。
 - d) 將閒置的電動工具儲存在兒童無法接觸的地方，並且不要讓不熟悉電動工具或對這些使用指示不瞭解的人員操作電動工具。電動工具在未經培訓的使用者手中會發生危險。
 - e) 維護電動工具。檢查活動部件是否對準或卡住、破損情況以及是否存在影響電動工具運行的其他情況。若有損毀，必須在使用之前修理電動工具。許多事故都是由於欠缺維護電動工具所導致。
 - f) 保持刀具鋒利和清潔。妥善維護、切削鋒利的刀具不會輕易卡住並可更輕鬆控制。
 - g) 遵循使用指示以及工作條件和所要執行的工作使用電動工具、配件和工具刀頭等。不按設計目的使用電動工具會導致危險。
- 5) 檢修
- a) 本電動工具必須由合格的維修人員並只採用相同的替換零件來執行檢修。這樣將確保電動工具的安全性。

圓鋸機的其他特殊安全規定

所有電鋸之安全指示

- a) **△ 危險：**請讓雙手遠離鋸切區域和鋸片。讓第二隻手時刻放在輔助手柄或電動機外殼上。如果雙手握住電鋸，就不會被鋸片割傷。
- b) 請勿將手伸至工件下方。在工件下方，防護罩無法保護您不被鋸片割傷。
- c) 依據工件厚度調整鋸切深度。在工件下方應可看到小於一個完整鋸齒的長度。
- d) 嚴禁手持待鋸切工件，或將工件橫在腿上。將工件固定在穩固的平台上。必須妥當地支撐工件，以儘量減少身體暴露、卡鋸或失控。
- e) 若在執行操作時鋸切工具可能會接觸隱藏的電線，請從絕緣手柄表面握住電動工具。若接觸到「帶電」導線，電動工具金屬部件表面就會「帶電」，從而導致操作人員觸電。
- f) 縱割時，始終使用平行擋板或直邊導件。這可提高鋸切精度，降低卡鋸機率。
- g) 始終使用心軸孔尺寸和形狀（菱形或圓形）正確的鋸片。與電鋸的安裝部分不相符的鋸片會偏心運轉，導致失控。
- h) 切勿使用已損壞或不適當的鋸片墊圈或螺栓。鋸片墊圈和螺栓專為您的電鋸而設計，以達到最佳效能與運行安全性。

反衝的原因及操作人員可採用的預防措施

- 反衝是鋸片被夾住、卡住或未對準時的突然反應，可導致失控的電鋸彈起，脫離工件，並且衝向操作人員；
- 當鋸片被封閉的鋸縫緊緊夾住或卡住時，鋸片將會失速，電動機的反作用力驅使工具迅速後撤，衝向操作人員；
- 如果鋸片在鋸縫中扭曲或偏離，鋸片背部的鋸齒可能掘進木材的上表面，導致鋸片爬出鋸縫，朝後彈向操作人員。

反衝是由不當使用電鋸和/或錯誤的操作程序或條件而導致，可透過採取下列適當的預防措施而避免：

- a) 雙手緊握電鋸並調整手臂的位置以應對反衝力。使身體位於鋸片的一側，而非與其呈一條直線。反衝可導致電鋸向後反彈，但若採取適當的預防措施，操作人員可控制反衝力。
- b) 當鋸片卡住，或因任何原因需要中斷鋸切時，鬆開觸發器，保持電鋸不動，直到鋸片在材料中完全停止。切勿在鋸片仍在運動時，嘗試從工件中取出電鋸或向後拔出電鋸，否則可能發生反衝。檢查並採取矯正措施，以消除卡鋸的原因。
- c) 在工件中重啓電鋸時，將鋸片與鋸縫中心對準，檢查並確定鋸齒未卡在材料中。如果鋸片卡住，則在電鋸重啓時可能從工件中跑出或反衝。
- d) 妥當支撐大型板材，將卡鋸和反衝風險降至最低。大型板材由於自身重量而有下陷的傾向。必須在板材下方靠近鋸切線一側及靠近板材邊緣一側都放置支撐物。
- e) 請勿使用已鈍化或損壞的鋸片。未磨利或未適當設定的鋸片會產生狹窄的鋸縫，導致過度摩擦、卡鋸和反衝。
- f) 鋸切前，鋸片深度和斜角調整鎖桿必須緊固且穩定。如果鋸片調整裝置在鋸切時移動，則可能造成卡鋸和反衝。

- g) 對現有牆體或其他盲區進行「切入式鋸切」時應格外小心。伸入的鋸片可能鋸切到其他物體而導致反衝。

下部防護罩安全指示

- a) 每次使用前，檢查下部防護罩是否能夠妥當關閉。如果下部防護罩不能自由移動並即時關閉，請使用電鋸。切勿將下部防護罩夾或綁至打開位置。如果電鋸意外跌落，下部防護罩可能彎曲。使用收縮手柄提升下部防護罩，並確定其可自由移動，在任何角度或鋸切深度均不會觸碰鋸片或任何其他部件。
- b) 檢查下部防護罩彈簧的運作狀況。如果防護罩和彈簧運作不正常，則必須在使用前進行維修。下部防護罩可能由於部件損壞、樹脂沉積或鋸屑堆積而運作不暢。
- c) 只有在進行「切入式鋸切」和「複合式鋸切」時，才可手動縮回下部防護罩。使用收縮手柄提升下部防護罩，鋸片進入材料後，必須立即鬆開下部防護罩。對於所有其他鋸切作業，應讓下部防護罩自動運作。
- d) 將電鋸置於工作台上或地板上之前，始終查看下部防護罩是否蓋住鋸片。在慣性作用下，未加保護的鋸片將致使電鋸後退，鋸切所有觸及的物體。請注意鬆開開關後鋸片停止運轉所需的時間。

圓鋸機的其他安全規定

- 請佩戴聽力保護器。噪音會使聽力受損。
- 請佩戴防塵罩。暴露於灰塵顆粒中可能導致呼吸困難及人身傷害。
- 請勿使用大於或小於推薦直徑的鋸片。如需適當的鋸片額定值，請參閱技術資料。只可使用本手冊指定之符合 EN 847-1 的鋸片。
- 切勿使用研磨切割砂輪和鑽石砂輪。請勿切割混凝土、磚塊、鋼材或其他原始材料。
- 切勿使用切斷用砂輪。
- 請勿使用給水附件。
- 使用夾具或採取其他可行的方法，將工件固定、支撐到穩定的平台上。手持工件或用身體抵住工件，會使工件不穩定並可能導致失控。
- 請勿將此圓鋸機作為桌型圓鋸機使用。

剩餘風險

使用圓鋸機有以下固有危險。

- 接觸工具的旋轉部件或高溫部件導致的傷害。

即使應用有關的安全規定並採用安全設備，仍然還有一些無法避免的剩餘風險。包括：

- 聽力受損。

- 更換配件時擠壓手指的危險。
- 在木材工作環境下產生的可吸入塵埃對健康的危害。

工具上的標誌

工具上可能會附帶下列圖示：



使用前請閱讀使用手冊。

日期代碼位置 (圖 1)

日期代碼 (z) 也包括製造年份，已經印刷在工具外殼上。

範例：

2011 XX XX

製造年份

套裝內容

本套裝包括：

- 1 184 mm (7-1/4") 圓鋸機 (DWE561) 或
- 1 184 mm (7-1/4") 圓鋸機 (DWE565)
- 1 鋸片扳手
- 1 平行擋板
- 1 使用手冊

- 檢查工具、部件或附件是否在運輸過程中損壞。
- 操作前，請抽空徹底地閱讀和掌握本說明書的內容。

說明 (圖 1)



警告：切勿改動本電動工具或其任何部件，否則可能導致損壞或人身傷害。

- 觸發開關
- 主手柄
- 鋸片鎖
- 端蓋
- 輔助手柄 (特定地區另售)
- 斜角調整旋鈕
- 斜角調整機構
- 底板
- 下部鋸片防護罩
- 鋸片夾緊螺釘
- 下部防護罩控制桿
- 上部鋸片防護罩
- 鎖止按鈕 (特定地區為鎖定按鈕)

設計用途

這些重型圓鋸機是為了專業鋸切木材操作而設計。**切勿**對此電鋸使用給水附件。**切勿**使用砂輪或研磨性鋸片。**切勿**在潮濕有水或存有易燃液體或氣體的環境下使用本工具。請勿使用鑽石砂輪。

這些重型電鋸是專業的電動工具。**切勿**讓兒童接觸工具。經驗不足的操作者必須在指導下才可使用本工具。

- 體力、感覺或智力不足，或者缺乏經驗及知識的人員（包括小孩）不適合使用本產品，除非負責他們安全的人員已經為他們提供關於使用此器具的監督。切勿讓兒童單獨接觸本工具。

電器安全



本器具採用雙重絕緣，因此無需接地線。請務必檢查電源電壓是否與名牌一致。



警告：115伏特裝置必須透過失靈安全隔離變壓器運作，在初級繞組和次級繞組之間使用接地屏蔽。

如果電源線損壞，必須使用 DeWALT 維修機構提供的專用電源線進行更換。

使用延長電纜

若需要使用延長電纜，使用適合本工具電源輸入使用的認證 3 芯延長電纜。導體的最小尺寸為 1.5 mm²；最大長度為 30 m。

使用電纜捲筒時，每次必須把電纜完全展開。

組裝與調整



警告：若要降低傷害危險，請在安裝和移除配件前、調整或變更設定前或進行修理時關閉工具並斷開電源。意外啟動工具會造成傷害。

更換鋸片



小心：內凸緣其中一面的直徑為 20 mm，另一面的直徑則為 19 mm。直徑 19 mm 的那一面以“19”標記，直徑 20mm 的另一面則以“20”標記。請按照您要使用的鋸片的孔直徑，選擇正確的那一面。若將鋸片安裝至錯的那一面，將導致危險的震動。

安裝鋸片（圖 1-4）

1. 使用下部防護罩控制桿 (k) 縮回下部鋸片防護罩 (i)，將鋸片置於鋸軸上，緊挨內夾緊墊圈 (o)，並確定鋸片能夠依適當的方向旋轉（鋸片和鋸齒上的旋轉箭頭方向必須與電鋸上的旋轉箭頭方向相同）。請勿以為在適當安裝後，鋸片上的印刷文字將始終朝向您。縮回下部鋸片防護罩以安裝鋸片時，檢查下部鋸片防護罩的狀況

與運作情況，確定其可正常運作。確定其可自由移動，在任何角度或鋸切深度均不會觸碰鋸片或任何其他部件。

2. 將外夾緊墊圈 (n) 置於鋸軸上，使大的平坦表面緊挨鋸片，外夾緊墊圈上的文字朝向您。
3. 用手將鋸片夾緊螺釘 (j) 鎖緊至鋸軸（螺釘採用右旋螺紋，必須順時針轉動才能鎖緊）。
4. 使用鋸片扳手轉動鋸軸時按下鋸片鎖 (c)，直到鋸片鎖接合，鋸片停止旋轉。
5. 使用鋸片扳手轉緊鋸片夾緊螺釘。

注意：切勿在電鋸正在運轉時接合鋸片鎖，或試圖透過接合鋸片鎖使工具停止運轉。切勿在鋸片鎖已接合時啟動電鋸。這樣會導致電鋸嚴重損壞。

更換鋸片（圖 2-4）

1. 若要鬆開鋸片夾緊螺釘 (j)，請按下鋸片鎖 (c) 並使用鋸片扳手 (s) 轉動鋸軸，直到鋸片鎖接合，鋸片停止旋轉。在鋸片鎖處於接合狀態下，使用鋸片扳手逆時針轉動鋸片夾緊螺釘（螺釘採用右旋螺紋，必須逆時針轉動才能鬆開）。
2. 卸下鋸片夾緊螺釘 (j) 和外夾緊墊圈 (n)。卸下舊鋸片。
3. 清潔防護罩或夾緊墊圈區域可能堆積的鋸屑，如前所述檢查下部鋸片防護罩的狀況與運作情況。請勿對此區域進行潤滑。
4. 始終使用尺寸（直徑）正確，中心孔尺寸和形狀適於安裝在鋸軸上的鋸片。始終確定鋸片上的最大推薦速度（轉/分）達到或超過電鋸的速度（轉/分）。
5. 遵循**安裝鋸片**中的第 1 至 5 步，確定鋸片能夠依適當的方向旋轉。

下部鋸片防護罩



警告：下部鋸片防護罩是可降低嚴重人身傷害風險的安裝裝置。切勿在下部防護罩遺失、損壞、裝配不當或不能正常運作時使用電鋸。請勿依靠下部鋸片防護罩在所有情況下為您提供保護。您的安全取決於遵循所有警告和注意事項，以及正確操作電鋸。在每次使用前，檢查下部防護罩是否已適當關閉。如果下部鋸片防護罩遺失或不能正常運作，請在使用前維修電鋸。為了確保產品安全及可靠，維修、維護和調整作業都應該由授權的維修中心或其他合格的維修機構執行，並始終使用相同的替換部件。



警告：切勿使用因添加楔形物、繩索、橡皮圈或其他材料而使下部防護罩一直處於打開的圓鋸機。

檢查下部防護罩

1. 關閉工具並斷開工具電源。
2. 將下部防護罩控制桿（圖 1，k）從全閉位置旋轉至全開位置。

3. 鬆開控制桿並觀察防護罩 (k) 返回至全閉位置。

如果工具發生下列情形，則應該由合格的維修中心進行維修：

- 無法返回至全閉位置，
- 間歇或緩慢運動，或
- 在任何角度或鋸切深度觸碰鋸片或工具的任何其他部件。

鋸片



警告： 為了減輕眼睛受傷風險，請始終佩戴護目鏡。硬合金是一種硬脆性材料。工件上的異物如導線或釘子會導致工件邊緣部位破裂或碎裂。僅在鋸片防護罩鎖定到位時操作圓鋸機。使用前，請以正確的旋轉方向牢固安裝鋸片，並且始終使用乾淨和鋒利的鋸片。

若您需要有關鋸片方面的協助，請聯繫您的當地 DeWALT 代理商。

鋸切深度調整 (圖 5-7)

1. 提升深度調整控制桿 (p) 以將其鬆開。
2. 若要取得正確的鋸切深度，請將深度調整帶上的缺口 (q) 與上部鋸片防護罩上的適當標記對準 (l)。
3. 轉緊深度調整控制桿
4. 為了在使用硬合金頭鋸片時使鋸切操作達到最高效能，設定深度調整時應使約一半的鋸齒長度伸至待鋸切木材表面下方。
5. 檢查正確鋸切深度的方法如圖 7 所示。將待切割的材料沿鋸片側邊放置，如圖所示，並觀察伸出材料的鋸齒長度。

斜角調整 (圖 8)

斜角調整機構 (g) 可在 0° 與 48° 之間調整。(0° & 55°: DWE565)

1. 轉動斜角調整旋鈕 (f) 以將其鬆開。
2. 傾斜底板至樞軸支架 (u) 的所需角度標記。
3. 轉動斜角調整旋鈕以將其重新轉緊。

鋸縫指示器 (圖 9)

電鋸導板的前端有用於垂直和傾斜鋸切的鋸縫指示器 (t)。此指示器可讓您在待鋸切材料上順著鉛筆劃的鋸切線導引電鋸。指示器與鋸片左 (內) 側平行，因此運動的鋸片鋸切形成的槽或「鋸縫」位於指示器右側。底板上的缺口指示 0° 和 45°。

可調整電線保護器 (圖 10)

可調整電線保護器 (v) 可用於將電線與鋸片垂直或平行放置。其出廠時位於垂直位置。

取得平行位置 (圖 10A)

1. 依箭頭指示投入電線保護器 (v)。
2. 將電線保護器順時針旋轉至平行位置。

取得垂直位置 (圖 10B)

1. 依箭頭指示投入電線保護器 (v)。
2. 將電線保護器逆時針旋轉至垂直位置。

安裝和調整平行擋板 (圖 11)

平行擋板 (w) 用於執行與工件邊緣平行的鋸切作業。

安裝

1. 將平行擋板調整旋鈕 (x) 插入圖 11 所示的孔 (aa) 中，使旋鈕保持鬆開狀態，以使平行擋板可以通過。
2. 將平行擋板 (w) 插入圖 11 所示的底板 (h) 中。
3. 轉緊平行擋板調整旋鈕 (x)。

調整

1. 轉鬆平行擋板調整旋鈕 (x) 並將平行擋板 (w) 設定至所需寬度。可在平行擋板刻度尺上讀取調整值。
2. 轉緊平行擋板調整旋鈕 (x)。

操作之前

- 確定防護罩已正確安裝。鋸片防護罩必須處於關閉位置。
- 確定鋸片是依鋸片上的箭頭方向旋轉。
- 請勿使用過度磨損的鋸片。

操作

使用說明



警告： 請時刻遵守安全指示和適用的規則。



警告： 若要降低傷害危險，請在安裝和移除配件前、調整或變更設定前或進行修理時關閉工具並斷開電源。意外啟動工具會造成傷害。

手的正確位置 (圖 12)



警告： 為降低遭受嚴重人身傷害的風險，務必如圖示那樣正確放置雙手。



警告： 為降低遭受嚴重人身傷害的風險，預期有突然反應時務必握緊。

正確的雙手放置位置是一隻手放在主手柄 (b) 上，另一隻手握住輔助手柄 (e)。

開啓和關閉電源 (圖 1)

若要運行工具，請按電源開/關 (a)。若要執行持續操作，請按下鎖定按鈕 (m) 並鬆開電源開/關。

若要停止工具，請鬆開電源開關。若要在持續操作中停止工具，請再次按下電源開/關。工作完成後及拔出插頭前，請務必關閉工具。

開啓和關閉電源 (安全開關) (圖 1)

如果您的電鋸配備用於預防誤操作的安全開關，請遵循以下指示。

若要運行工具，請按鎖止按鈕 (m)，然後按電源開/關 (a)。鬆開鎖止按鈕 (m)。

若要停止工具，請鬆開電源開關 (a)。工作完成後及拔出插頭前，請務必關閉工具。

注意：請勿在鋸片接觸工件或其他材料時打開或關閉工具。

工件支撐物 (圖 13-16)



警告：為降低遭受嚴重人身傷害的風險，請妥當地支撐工件並穩固地握住電鋸以防失控。

圖 14 和 16 所示為適當的鋸切位置。圖 15 和 17 所示為不安全的狀況。雙手應遠離鋸切區域，並將電源線置於鋸切區域以外，以免其發生纏繞或懸吊在工件上。

為了避免發生反衝，請始終在鋸切位置附近支撐待切割板材 (圖 14 和 16)。請勿在遠離鋸切位置處支撐待切割板材 (圖 15 和 17)。操作電鋸時，使電源線遠離鋸切區域，以免其懸吊在工件上。

進行任何調整之前，始終斷開電鋸的電源！將工件「好」的一面 (外觀最重要的一面) 朝下放置。電鋸向上鋸切，因此任何劈裂痕跡將位於鋸切時向上的工件表面上。

鋸切



警告：切勿試圖將此工具上下倒置放在工作台上，然後將材料進給至工具。始終穩固地夾緊工件，然後雙手握緊工具並使工具向工件靠近，如圖 16 所示。

將電鋸底板的較大部分置於工件上穩固支撐的部分，而非完成鋸切後將會跌落的部分。舉例而言，圖 16 所示為鋸切板材端頭的正確方式。始終夾緊工件。請勿試圖用手持握短小的工件！務必支撐懸空和外伸的材料。從下方鋸切材料時應小心。

確保電鋸在鋸片接觸待鋸切材料前已達到全速。在鋸片緊挨待鋸切材料，或將鋸片向前推入鋸縫時啟動電鋸，可能導致反衝。以使鋸片鋸切起來不費力的速度推進電鋸。即使同一塊材料的硬度和韌度亦有可能不同，多節或潮濕的部分可能加重電鋸的負載。此時，以更慢的速度推進電鋸，但需使用足夠的力量，以保持工作而不會大幅減速。強行推進

電鋸可能導致鋸切粗糙、不準確、反衝及電動機過熱。如果電鋸開始偏離鋸切線，請勿嘗試強行使其回到線上。鬆開開關，使鋸片完全停止。然後可以取出電鋸，重新瞄準，並在稍靠近錯誤鋸切線內的位置開始新的鋸切。在任何情況下，如果必須偏移鋸切線，請取出電鋸。在鋸切線內強行更正，可能導致電鋸失速並造成反衝。

如果電鋸失速，請鬆開觸發器並在電鋸鬆開時退回電鋸。請確保重新啟動前，鋸片與鋸縫對直，並且未觸碰鋸切邊緣。

完成鋸切後，鬆開觸發器，等待鋸片停止，然後從工件中取出電鋸。取出電鋸時，彈簧式伸縮防護罩將在鋸片下方自動關閉。請記住，鋸片在此之前處於暴露狀態。不論是因為任何理由，都不要接觸工件下方。如需手動縮回伸縮防護罩 (在開始開口鋸切時必須這樣做)，請始終使用收縮控制桿。

注意：鋸切薄條時，請注意確保小片鋸末不會懸掛在下部防護罩內部。

縱割

縱割是指將較寬的板材鋸切成較窄的條狀，即縱向鋸切板材的紋理。此類鋸切較難用手引導，建議使用 DEWALT 平行擋板 (圖 11, w)。

開口鋸切 (圖 17)



警告：切勿將鋸片防護罩綁至提升位置。切勿在進行開口鋸切時向後移動電鋸。這可能導致裝置從工件表面彈出，造成人身傷害。

開口鋸切是指在地板、牆壁或其他平坦表面進行的鋸切。

1. 調整電鋸底板，使鋸片以所需深度鋸切。
2. 向前傾斜電鋸，將底板前端置於待切割材料上。
3. 使用下部防護罩控制桿將下部鋸片防護罩縮回至向上位置。降低底板後端，直到鋸齒幾乎接觸到鋸切線。
4. 鬆開鋸片防護罩 (防護罩與工件的接觸將使其保持所在位置，並在開始鋸切時自由打開)。將手從防護罩控制桿上移開，並緊握輔助手柄 (e)，如圖 18 所示。調整身體和手臂位置，以應對可能發生的反衝。
5. 啟動電鋸之前，確定鋸片沒有與鋸切表面接觸。
6. 啟動電動機，逐漸降低電鋸，直到其底板平置於待鋸切的材料上。沿著鋸切線推進電鋸，直到完成鋸切。
7. 鬆開觸發器，等待鋸片完全停止，然後從材料中取出鋸片。
8. 每次開始新的鋸切時，重複上述步驟。

維護

DeWALT 電動工具採用卓越的設計，能夠長時間使用，並且只需最少的維護。若要持續獲得滿意的操作效果，需進行正確的工具維護和定期的清潔。



警告：若要降低傷害危險，請在安裝和移除配件前、調整或變更設定前或進行修理時關閉工具並斷開電源。意外啟動工具會造成傷害。



潤滑

此工具中使用了自潤滑滾珠和滾柱軸承，因而無需潤滑。儘管如此，建議每年將工具帶往或送往維修中心，進行一次徹底的齒輪箱清潔、檢查和潤滑。



清潔



警告：一旦通風口及其周圍積聚可見的塵埃，請立即使用乾燥的壓縮空氣吹掉主機外殼和防護區域內的塵埃和灰塵。執行此步驟時，請佩戴經認可的護目裝備和認可的面罩。

下部防護罩

下部防護罩應始終可從全開位置自由旋轉並關閉至全閉位置。進行鋸切前，始終透過將其完全打開並讓其關閉來檢查防護罩是否可以正確運轉。如果關閉緩慢或不能完全關閉，則防護罩需要清潔或維修。在防護罩恢復正常運作前，請勿使用電鋸。若要清潔防護罩，請使用乾燥的空氣或軟刷移除防護罩路徑上，以及防護罩彈簧周圍堆積的任何鋸屑或碎片。如果這樣無法更正問題，則需由授權的維修中心進行維修。



警告：切勿使用溶劑或其他刺激性化學品來清潔工具的非金屬部件。這些化學品可能削弱零件中使用的材料。只能使用抹布蘸中性肥皂水進行清潔。不要讓任何液體進入工具；不要讓工具的任何部分浸入液體中。

鋸片

鈍化的鋸片會導致鋸切效能降低、電鋸的電動機過載、過量劈裂痕跡，並增加反衝的發生機率。無法再輕鬆地推進電鋸時、電動機過載時、鋸片上積聚過多熱量時，應更換鋸片。最好在手頭準備額外鋸片，以便隨時取用鋒利的鋸片。在大多數區域可以將鈍化的鋸片磨利。

可以使用煤油、松節油或烤箱清潔劑移除鋸片上硬化的樹脂。在樹脂過量堆積的應用中，如經過壓力處理的木材及未經乾燥的木材，可以使用抗黏塗層鋸片。

選購配件



警告：由於非 DeWALT 所提供的配件未在本產品上進行過使用測試，在本產品上使用這些附件可能發生危險。為降低傷害危險，在本產品上只應使用 DeWALT 所推薦的配件。

切勿對此電鋸使用給水附件。

使用之前目視檢查硬合金鋸片。如有損壞請予替換。

如需進一步瞭解適用配件的相關資訊，請洽詢當地經銷商。

保護環境



個別收集。本產品必須與一般家庭廢物分開處置。



若您發現您的 DeWALT 產品需要更換，或對您已無使用價值，請勿將其與家居垃圾一起丟棄。務必將本產品送往個別收集處。



個別收集用過的產品和包裝允許材料再循環利用。重新使用循環利用的材料有助於防止環境污染，並減少原始材料的需求。

當地法規可能要求由市政廢物回收點，或由向您出售新產品的經銷商來提供從家庭中個別收集電子產品的服務。

DeWALT 在其產品使用壽命結束時提供 DeWALT 產品收集和回收利用的便利。若要享受此項服務，請將產品送回任一授權維修處，由其代表我們進行收集。

請根據本手冊上所提供地址與當地 DeWALT 辦事處聯絡，查詢離您最近的授權維修中心所在位置。亦可瀏覽網站查詢 DeWALT 授權維修中心清單和售後服務及聯絡資料之詳細資訊，網址是：www.2helpU.com。

進口商：新加坡商百得電動工具(股)台灣分公司

地址：台北市北投區裕民六路120號4F

電話：02-28201065

總經銷商：永安實業股份有限公司

地址：新北市三重區新北大道二段137號

電話：02-29994633

生產工廠：百得(蘇州)科技有限公司

地址：蘇州工業園區蘇虹中路200號出口加工區

184 mm (7-1/4") 원형 톱, DWE561, DWE565

축하합니다!

DEWALT 공구를 선택해 주셔서 감사합니다. DEWALT 는 오랜 경험과 제품 개발 및 혁신을 통해 전문 전동 공구 사용자들이 인정하는 기업으로 자리잡아 왔습니다.

기술 자료

		DWE561	DWE565
전압	V	220	220
유형		1	1
소비전력	W	1200	1250
무부하회전수	min ⁻¹	5500	5500
톱날 직경	mm	184	184
최대 절삭 깊이			
90°	mm	65	65
45°	mm	42	42
톱날 구멍	mm	19	19
베벨각 조정		48°	55°
무게	kg	3.60	3.70

정의: 안전 지침

다음 정의는 각 경고 문구의 심각도를 설명합니다. 사용 설명서를 읽고 다음 기호들에 유의하십시오.



위험: 절박한 위험 상태를 나타내며, 방지하지 않으면 사망 또는 심각한 부상을 초래합니다.



경고: 잠재적 위험 상태를 나타내며, 방지하지 않으면 사망 또는 심각한 부상을 초래할 수 있습니다.



주의: 잠재적 위험 상태를 나타내며, 방지하지 않으면 경미한 부상을 초래할 수 있습니다.

참고: 신체 부상을 초래하지 않는 행위를 나타내며, 방지하지 않으면 재산상의 손해가 발생할 수 있습니다.



감전 위험을 나타냅니다.



화재 위험을 나타냅니다.



경고: 부상 위험을 줄이려면 사용 설명서를 숙지하십시오.

전동 공구에 관한 일반 안전 경고



경고! 모든 안전 경고와 모든 지시사항을 읽으십시오. 경고와 지시 사항을 준수하지 않으면 감전, 화재 및/또는 심각한 부상을 초래할 수 있습니다.

항후 참고할 수 있도록 모든 경고 및 지시 사항을 보관해두십시오.

경고에서 사용된 "전동 공구" 라는 용어는 주 공급 전원에 의해 전기가 공급되는(유선) 전동 공구 또는 충전식(무선) 전동 공구를 의미합니다.

1) 작업장 안전

- 작업 영역을 청결히 하고 조명을 밝게 유지하십시오. 혼잡하거나 어두운 작업장에서는 사고가 발생하기 쉽습니다.
- 기연성 액체, 가스 또는 먼지 등이 있는 폭발성 대기에서 전동 공구를 사용하지 마십시오. 전동 공구에서 먼지나 가스를 발화시킬 수 있는 불꽃이 될 수 있습니다.
- 전동 공구로 작업하는 동안에는 어린이와 주변 사람들이 작업 영역에 가까이 들어오지 못하도록 하십시오. 주변이 산만해져 통제력을 잃을 수 있습니다.

2) 전기 안전

- 전동 공구의 플러그는 콘센트와 형식이 일치해야 합니다. 플러그를 어떤 방식으로든 절대 개조하지 마십시오. 접지된(지면 접지) 전동 공구에 어떤 어댑터 플러그도 사용하지 마십시오. 개조되지 않은 플러그 및 형식이 일치하는 콘센트를 사용하면 감전 위험이 줄어듭니다.
- 파이프, 라디에이터, 렌지 및 냉장고 등과 같이 접지된 표면에 신체가 접촉하지 않도록 하십시오. 신체가 접지되어 있으면 감전 위험이 높아집니다.
- 전동 공구를 비 또는 습한 환경에 노출하지 않도록 주의하십시오. 전동 공구에 물이 들어가면 감전 위험이 높아집니다.
- 코드를 함부로 다루지 마십시오. 코드를 사용하여 전동 공구를 운반하거나 잡아당기거나 모서리 또는 움직이는 부분에서 멀리 떨어진 장소에 코드를 보관하십시오. 코드가 손상되거나 얽혀 있으면 감전 위험이 높아집니다.
- 전동 공구를 실외에서 사용할 때는 실외 사용에 적합한 연장 코드를 사용하십시오. 실외 사용에 적합한 코드를 사용하면 감전 위험이 줄어듭니다.
- 어쩔 수 없이 습한 장소에서 전동 공구를 사용해야 하는 경우에는 누전 차단기(RCD)로 보호된 전원 공급 장치를 사용하십시오. RCD를 사용하면 감전 위험이 줄어듭니다.

3) 신체 안전

- 전동 공구로 작업할 때는 방심하지 말고 작업에 주의하면서 상식을 따르십시오. 피곤한 상태이거나 약물, 술, 치료제를 복용한

상태에서는 전동 공구를 사용하지 마십시오.

전동 공구를 사용하는 중에 주의력을 잃어 순간적으로 부상을 당할 수 있습니다.

- b) **신체 보호 장비를 착용하십시오. 항상 보안경을 착용하십시오.** 적절한 상황에서 방진 마스크, 미끄럼 방지 안전화, 안전모 또는 청력 보호 기구 등의 보호 장비를 사용하면 신체 부상 위험이 줄어듭니다.
- c) **외도하지 않은 장비 가동 방지. 전원 및/또는 배터리 팩에 연결한 상태로 공구를 선택 또는 운반할 때는 사전에 스위치가 꺼짐 위치에 있는지 반드시 확인하십시오.** 스위치가 꺼짐 위치에 있는 상태에서 스위치에 손가락이 닿은 상태로 전동 공구를 운반하거나 전동 공구에 전원을 공급하면 사고가 발생합니다.
- d) **전동 공구를 켜기 전에 모든 조정 키 또는 렌치를 제거하십시오.** 전동 공구의 회전 부품에 렌치나 키가 부착되어 있으면 부상을 당할 수 있습니다.
- e) **무리하게 팔을 뻗지 마십시오. 항상 올바른 자세로 서서 균형을 유지하십시오.** 그러면 예기치 않은 상황에서 전동 공구에 대한 제어력이 향상됩니다.
- f) **적절한 작업복을 착용합니다. 헐렁한 옷이나 장신구를 착용하지 마십시오. 머리카락, 옷 및 장갑이 움직이는 부품에 닿지 않도록 유의하십시오.** 헐렁한 옷, 장신구 또는 긴 머리카락이 움직이는 부품에 걸 수 있습니다.
- g) **먼지 배출 및 집진 시설 연결을 위한 장치가 제공된 경우, 이들 장치가 연결되어 적절히 사용되고 있는지 반드시 확인하십시오.** 집진 장치를 사용하면 먼지와 관련된 위험을 줄일 수 있습니다.

4) 전동 공구 사용 및 관리

- a) **전동 공구에 무리한 힘을 가하지 마십시오. 해당 용도에 맞는 올바른 전동 공구를 사용하십시오.** 올바른 전동 공구를 사용해야 설계된 속도로 작업을 더욱 안전하고 정확하게 수행할 수 있습니다.
- b) **켜지거나 꺼지지 않는 경우 전동 공구를 사용하지 마십시오.** 스위치로 제어되지 않는 전동 공구는 위험하며 수리해야 합니다.
- c) **전동 공구를 조정하거나 액세서리를 변경하거나 보관하기 전에 전원 및/또는 배터리 팩에서 플러그를 뽑으십시오.** 이러한 예방적 안전 조치를 따라야 전동 공구가 갑자기 작동할 위험이 줄어듭니다.
- d) **사용하지 않는 전동 공구는 어린이의 손이 닿지 않는 곳에 보관하고, 전동 공구나 본 지시 사항에 익숙하지 않은 사람이 전동 공구를 절대 사용하지 못하게 하십시오.** 전동 공구는 훈련을 받지 않은 사용자가 다루면 위험합니다.
- e) **전동 공구 유지 보수, 움직이는 부품의 잘못된 정렬이나 바인딩, 부품 파손 및 기타 전동 공구의 작동에 영향을 미칠 수 있는 상태가 있는지 확인하십시오.** 손상된 부분이 있는 경우

사용하기 전에 전동 공구를 수리하십시오. 많은 사고는 전동 공구를 제대로 유지 보수하지 않아 발생합니다.

- f) **절단 공구를 예리하고 깨끗한 상태로 유지하십시오.** 절단지석 가장자리를 예리하게 잘 유지하면 절단기를 사용할 때 바인딩이 적고 다루기가 용이합니다.
- g) **작업 환경과 수행할 작업을 고려하여, 본 지시 사항에 따라 전동 공구, 액세서리 및 톨 비트 등을 사용하십시오.** 본 사용 설명서의 내용과 다른 용도로 전동 공구를 사용하면 위험한 상황이 발생할 수 있습니다.

5) 정비

- a) **자격을 갖춘 기술자가 동일 교체 부품을 사용하여 정비 작업을 수행해야 합니다.** 그래야 전동 공구의 안전이 보장됩니다.

원형 톨에 특정하게 적용되는 추가 안전 규칙

모든 톨에 대한 안전 지시 사항

- a) **△ 위험: 절단 영역과 날에서 손을 멀리 두십시오. 다른 손을 보조 핸들 또는 모터 하우징에 두십시오.** 양손으로 톨을 잡고 있을 경우 날로 절단할 수 없습니다.
- b) **작업대 밑으로 들어가지 마십시오.** 가드가 작업대 아래로 날로부터 보호할 수 없습니다.
- c) **절단 깊이는 작업물의 두께로 조정하십시오.** 톨의 전체 이 미만이 작업을 아래로 보일 수 있어야 합니다.
- d) **손으로 또는 다리 사이로 절단되고 있는 조각을 잡지 마십시오. 작업물을 안정된 대에 고정하십시오.** 신체 노출, 날 바인딩 또는 통제력 손실을 최소화하려면 작업물을 적절하게 지지하는 것이 중요합니다.
- e) **절단 공구가 숨겨진 배선에 접촉할 수 있는 작업을 수행할 때는 절연된 그림핑 표면이 닿도록 하여 전동 공구를 잡으십시오.** "전류가 흐르는" 전선과 접촉하면 전동 공구의 노출된 금속 부분에 "전류가 흘러" 작업자가 감전될 수 있습니다.
- f) **떼어낼 때는 항상 측면안내대 또는 직선 자 가이드를 사용하십시오.** 이렇게 하면 절단의 정확도가 개선되고 날 바인딩의 기회가 줄어듭니다.
- g) **정자 구멍의 항상 정확한 크기 및 모양(다이아몬드 대 원형)의 날을 사용하십시오.** 톨의 장착 장비와 일치하지 않는 날은 중심을 벗어나 작동하여 통제력이 손실될 수 있습니다.
- h) **손상되었거나 정확하지 않은 날 와서 또는 볼트를 절대로 사용하지 마십시오.** 날 와서 및 볼트는 최적의 성능 및 안전한 작동을 위해 톨에 맞게 특수 설계되었습니다.

반동의 원인과 작업자의 예방 조치

- 반동은 끼거나 튀거나 오용된 톨날에 대한 급작스러운 반작용으로, 통제되지 않은 톨이 위로 올라가 작업자 쪽으로 또는 작업물 밖으로 나갈 수 있습니다.
- 날이 끼거나 절단 마무리로 인해 약간 톨 때 날이 멈추고 모터 반작용이 장치를 빠르게 작업자 뒤쪽으로 밀어 넣는 현상입니다.
- 날이 절단 시 뒤틀리거나 어긋나는 경우, 날의 뒤쪽 가장자리의 이가 목재의 상부 표면을 파고들어 날이 절단을 벗어나 위로 움직여 작업자 뒤쪽으로 획 움직일 수 있습니다.

반동은 톨의 오용 및/또는 정확하지 않은 작동 절차 또는 조건으로 인한 결과이고 아래에 주어진 대로 적절한 예방 조치를 취하여 피할 수 있습니다.

- a) 톨에서 양쪽 손으로 팍 잡고 반동의 힘을 막을 수 있도록 팔의 위치를 잡습니다. 몸은 날의 어느 쪽이든 위치하되, 날의 라인과 일치하지 않도록 합니다. 반동은 톨이 뒤쪽으로 획 움직일 수 있지만, 적절한 예방 조치를 취할 경우 반동의 힘은 작업자가 통제할 수 있습니다.
- b) 날이 바인딩할 때 또는 어떤 이유로든 절단을 차단할 때는 트리거를 해제하고 날이 완전히 정지할 때까지 톨이 재료에서 움직이지 않게 잡고 있습니다. 날이 움직이고 있을 때 또는 반동이 발생할 수 있을 경우에는 작업에서 톨을 빼거나 톨을 뒤쪽으로 당기지 마십시오. 날 바인딩의 원인을 제거하려면 그 원인을 조사하여 정확한 조치를 취하십시오.
- c) 작업물에서 톨을 집어 넣을 때 톨날을 커프 중앙에 두고 톨나가 재료에 잘 맞물렸는지 확인하십시오. 톨날이 바인딩되어 있을 경우, 톨이 다시 가동함에 따라 작업물에서 떨어지거나 반동될 수 있습니다.
- d) 큰 판을 지지하여 날이 끼고 반동되는 위험을 최소화하십시오. 큰 판은 자체 무게로 인해 휘는 경향이 있습니다. 판 아래 양쪽, 컷 라인 근처 및 판 가장자리 근처에 지지대를 놓아야 합니다.
- e) 무디거나 손상된 날을 사용하지 마십시오. 무디거나 또는 적절하지 않게 세팅한 날은 좁은 절단을 만들어 과도한 마찰, 날 바인딩 및 반동을 야기할 수 있습니다.
- f) 절단을 하기 전에 날 깊이 및 베벨을 조정하는 잠금 레버를 조여서 고정해야 합니다. 절단하는 동안 날 조정을 바꿀 경우 바인딩 및 반동을 야기할 수 있습니다.
- g) 기존의 벽 또는 다른 앞이 안 보이는 영역에 “플러지 컷”을 할 때는 각별히 주의하십시오. 튀어나온 날이 반동을 야기할 수 있는 물체를 뺄 수 있습니다.

하부 가드 안전 지침

- a) **매번 사용하기 전에 적절한 마무리를 위해 하부 가드를 확인하십시오. 하부 가드가 잘 움직이지 않고 즉시 닫히지 않는 경우 톨을 작동하지 마십시오. 열려 있는 위치에서 하부 가드를 조이거나 뚫지 마십시오.** 톨을 실수로 떨어뜨릴 경우, 하부 가드가 휘 수 있습니다. 철회 핸들로 하부 가드를 올리고 잘 움직이는지 확인하고 절단의 모든 각도 및 깊이에서 날 또는 다른 부품을 만지지 마십시오.
- b) **하부 가드 스프링의 작동을 점검하십시오. 가드와 스프링이 적절하게 작동하지 않을 경우, 사용하기 전에 정비해야 합니다.** 하부 가드는 손상된 부품, 고무진이 묻은 점착물 또는 잔해물 더미로 인해 느리게 작동할 수 있습니다.
- c) “플러지 컷” 및 “컴파운드 컷”과 같은 특수한 절단용으로만 하부 가드를 수동으로 집어 넣어야 합니다. 핸들을 집어 넣어 하부 가드를 올리고 날이 작업물에 들어가는 즉시 하부 가드를 해제해야 합니다. 기타 모든 톨질을 위해 하부 가드가 자동으로 작동해야 합니다.
- d) **항상 벤치 또는 마루에 톨을 내려 놓기 전에 하부 가드가 날을 덮고 있는지 주시하십시오.** 보호되지 않은 타성의 날이 톨이 뒤쪽으로 움직여 무엇이 있는지 간에 절단할 수 있도록 합니다. 스위치를 해제한 후 날이 정지하는 데 걸리는 시간을 유의하십시오.

원형 톨에 대한 추가 안전 지침

- 귀 보호 장구를 착용하십시오. 소음에 노출되면 청력이 손상될 수 있습니다.
- 방진 마스크를 착용하십시오. 집진에 노출되면 숨을 쉬기가 어렵고 부상당할 위험이 있을 수 있습니다.
- 권장되는 것보다 더 크거나 더 작은 직경의 날을 사용하지 마십시오. 적절한 정격 톨날에 대해서는 기술 자료를 참조하십시오. EN 847-1을 준수하는, 본 사용 설명서에 지정된 날만 사용하십시오.
- 연마 절삭 및 다이아몬드 휠을 사용하지 마십시오. 콘크리트, 벽돌, 강철 또는 기타 수작업 재제를 절단하지 마십시오.
- 연마 절삭된 휠을 사용하지 마십시오.
- 급수 부가 장치를 사용하지 마십시오.
- 클램프 또는 다른 적절한 방식을 이용하여 안정된 작업대에 작업 공구들을 고정 및 지지하십시오. 작업물을 손으로 잡거나 몸으로 지탱하는 행동은 불안정하여 제어력을 잃을 수 있습니다.
- 이 톨을 테이블 톨으로 사용하지 마십시오.

기타 발생 가능한 위험

원형 톨 사용 시에는 다음과 같은 위험이 수반됩니다.

- 공구의 회전부를 만지거나 가열된 부위에 닿아 발생하는 부상.

관련된 안전 규정을 준수하고 안전 장치를 사용한다고 해도 특정한 위험은 피할 수 없습니다. 이러한 위험은 다음과 같습니다.

- 청력 손상.
- 액세서리 교체 시 손가락이 눌리는 위험
- 나무 가공 시 발생한 먼지를 들이마셔서 발생할 수 있는 건강 위험.

공구에 표시된 마크

공구에는 다음과 같은 그림이 있습니다.



사용 전에 사용 설명서의 내용을 숙지하십시오.

날짜 코드 위치(그림 1)

날짜 코드(2)에는 제조년도가 포함되어 케이스에 인쇄되어 있습니다.

예: 2011 XX XX
제조년도

포장 내용물

포장에 다음 내용물이 들어 있습니다.

- 1 184 mm (7-1/4") 원형 톱(DWE561) 또는
- 1 184 mm (7-1/4") 원형 톱(DWE565)
- 1 원형 톱날
- 1 날 렌치
- 1 사용 설명서
- 운반 중에 발생할 수 있는 공구, 부품 또는 액세서리의 손상 여부를 확인하십시오.
- 작동 전에 시간을 내어 본 사용 설명서를 읽고 숙지하십시오.

설명 (그림 1)



경고: 전공 공구 또는 전동 공구의 어떤 부품도 절대 개조하지 마십시오. 제품이 파손되거나 신체 부상을 당할 수도 있습니다.

- a. 트리거 스위치
- b. 주 핸들
- c. 날 잠금
- d. 엔드캡
- e. 보조 핸들(별도 판매)
- f. 베벨 조정 노브

- g. 베벨각 조정 기계 장치
- h. 바닥판
- i. 하부 날 가드
- j. 날 고정 나사
- k. 하부 가드 레버
- l. 상부 날 가드
- m. 잠금 해제 버튼(특정 지역의 경우 잠금 버튼)

용도

본 헤비듀티 원형 톱은 전문가용 목재 절단용으로 설계되었습니다. 이 톱에 급수 부가 장치를 함께 사용하지 **마십시오**. 연마 휠 또는 날을 사용하지 **마십시오**. 습한 환경이나 가연성 액체 또는 가스가 있는 장소에서 사용하지 **마십시오**. 다이아몬드 휠을 사용하지 **마십시오**.

본 헤비듀티 원형 톱은 전문가용 공구입니다. 어린이가 이 공구를 만지지 **않도록 하십시오**. 경험이 없는 작업자가 이 공구를 사용할 때는 감독자의 지도가 필요합니다.

- 본 제품은 안전 책임을 맡고 있는 사람이 감독을 하고 있지 않은 한 경험, 지식 또는 기술이 부족하고 신체적, 감각적 또는 정신적 능력이 미약한 사람(어린이 포함)이 사용하도록 고안된 것이 아닙니다. 이 제품과 어린이만 혼자 두어서는 안됩니다.

전기 안전



이 제품은 이중으로 절연되어 있으므로 접지선이 필요 없습니다. 전원이 전동기 네임 플레이트에 기재된 전압과 일치하는지 항상 확인하십시오.



경고: 115 V 기기는 첫 번째 감은 것과 두 번째 감은 것 사이의 접지판과 함께 안전 페일 세이프 절연 변압기 통해 작동되어야 합니다.

전원 코드가 손상된 경우에는 DEWALT 서비스 센터를 통해 특수 제작된 코드로 교체해야만 합니다.

연장 케이블 이용

연장 케이블이 필요할 경우 이 공구의 소비전력에 맞는 승인된 3 코어 연장 케이블을 사용하십시오. 최소 도체 크기는 1.5 mm², 최대 길이는 30 m입니다.

케이블 릴을 이용할 때는 항상 케이블을 완전히 푸십시오.

조립 및 조정



경고: 액세서리를 설치 및 제거하기 전, 구형 상태를 조정하거나 변경하기 전, 또는 수리 시 부상의 위험을 줄이려면 장치를 끄고 전원에서부터 연결을 차단하십시오. 공구가 갑자기 작동하여 신체 부상을 당할 수 있습니다.

날 교환

주의:

내부 플랜지의 한 쪽 직경은 20 mm 이고 다른 한 쪽은 20 mm 입니다. 19 mm 직경 쪽은 “19” 로 표시되어 있고 20 mm 의 다른 쪽은 “20” 로 표시되어 있습니다. 사용하려고 하는 톱날의 구멍 직경에 정확한 쪽을 사용하십시오. 잘못된 쪽에 톱날을 장착하면 위험한 진동이 발생할 수 있습니다.

날을 설치하려면(그림 1-4)

1. 하부 가드 레버(k)를 사용하여 하부 날 가드(i)를 수축하고 안쪽의 클램프 와셔(o)와 맞닿은 톱 스펀들에 날을 두어서, 날이 적절한 방향으로 회전하도록 하십시오(톱날 및 톱니의 회전 화살표 방향은 톱의 회전 화살표 방향과 동일한 방향을 가리켜야 합니다). 제대로 설치된 경우 날에서의 인쇄가 항상 마주보고 있을 것이라고 가정하지 마십시오. 날을 설치하기 위해 하부 날 가드를 수축할 때, 하부 날 가드의 상태 및 작동을 점검하여 제대로 작동하고 있는지 확인하십시오. 가드가 자유롭게 움직이는지 확인하고 모든 각도 및 절단 깊이에서 날이나 기타 모든 부품을 만지지 마십시오.
2. 외부 클램프 와셔(n)를 마주보고 있는 외부 클램프 와셔의 글귀와 날에 맞대어 있는 큰 평면이 있는 톱의 스펀들에 놓습니다.
3. 손으로 날 클램핑 나사(j)를 톱 스펀들에 끼웁니다(나사에 오른손잡이 나삿나가 있으므로 시계 방향을 돌려 조여야 합니다).
4. 날이 잠기고 날이 회전을 멈출 때까지 날 렌치로 톱 스펀들을 돌리는 동안 날 잠금(c)을 누릅니다.
5. 날 렌치를 사용하여 날 클램핑 나사를 단단히 조입니다.

참고: 톱이 돌고 있을 때 날 잠금을 작동하거나 공구를 멈추려고 하지 마십시오. 날 잠금 장치가 작동하고 있을 때는 톱을 켜지 마십시오. 톱이 심하게 손상될 수 있습니다.

날을 교체하려면(그림 2-4)

1. 날 클램핑 나사(j)를 풀려면, 날 잠금(c)을 누르고 날 잠금이 작동하고 날이 회전을 정지할 때까지 날 렌치(s)를 사용하여 톱 스펀들을 돌립니다. 날 잠금을 작동한 상태에서, 날 렌치로 날 클램핑 나사를 시계 반대 방향으로 돌립니다(나사에는 오른손잡이 나삿나가 있으므로 시계 반대 방향으로 돌려 풀어야 합니다).
2. 날 클램핑 나사(j)와 외부의 클램프 와셔(n)를 제거하십시오. 낡은 날을 제거하십시오.
3. 가드 또는 클램프 와셔 영역에 쌓일 수 있는 톱밥을 청소하고 이전에 약속한 대로 하부 날 가드의 상태 및 작동을 점검하십시오. 이 부분은 윤활하지 마십시오.
4. 항상 톱 스펀들에 장착할 적절한 크기 및 모양의 센터 구멍이 있는 정확한 크기(직경)의 날을 사용하십시오. 항상 톱날의 최대 권장 속도(rpm)

가 톱의 속도(rpm)에 일치하거나 초과하는지 확인하십시오.

5. **날 설치하기**의 하의 1~5 단계에 따라, 날이 올바른 방향으로 회전하고 있는지 확인하십시오.

하부 날 가드



경고: 하부 날 가드는 심각한 신체 부상의 위험을 줄이는 안전한 기능입니다. 하부 가드가 빠졌거나, 손상되었거나, 잘못 조립되었거나 제대로 작동하고 있지 않을 경우에는 톱을 사용하지 마십시오. 모든 상황에서 하부 날 가드가 사용자를 보호해 줄 것으로 생각하지 마십시오. 사용자의 안전은 톱의 올바른 작동은 물론 모든 경고 및 주의 사항을 준수하는 것에 달려 있습니다. 매년 사용하기 전에 적절한 마무리를 위해 하부 가드를 확인하십시오. 하부 날 가드가 빠졌거나 잘 작동하지 않을 경우, 사용하기 전에 수리를 받으십시오. 제품의 안전성과 신뢰성을 보장하려면, 공인 서비스 센터 또는 기타 유자격 서비스 기관에서 항상 동일한 교체 부품을 사용하여 수리, 유지보수 및 교정을 수행해야 합니다.



경고: 췌기, 끈, 고무밴드 또는 기타 물질을 추가하여 톱의 하부 가드를 열려 있는 상태로 놓고 사용하지 마십시오.

하부 가드 점검

1. 공구를 끄고 전원 장치에서 분리합니다.
2. 하부 가드 레버(그림 1, k)를 완전히 닫힌 위치에서 완전히 열린 위치로 돌립니다.
3. 레버를 풀고 가드(k)가 완전히 닫힌 위치로 복귀하는지 살펴봅니다.

다음의 경우 공구를 유자격 서비스 센터에서 정비를 받아야 합니다.

- 완전히 닫힌 위치로 복귀되지 않음,
- 간헐적으로 또는 천천히 움직이거나
- 공구의 날 또는 부품이 모든 각도 및 절단 깊이에서서 맞닿는 경우.

톱날



경고: 눈 부상의 위험을 최소화 하려면, 항상 보안경을 착용하십시오. 카바이드는 딱딱하지만 잘 부서집니다. 작업대에 전선이나 못 등의 이물질은 균열이나 깨지는 원인이 될 수 있습니다. 적절한 톱날 가드가 있을 경우에만 톱을 조작하십시오. 사용하기 전에 적절한 차례로 날을 장착하고 항상 깨끗하고 날카로운 날을 사용하십시오.

날에 관한 도움이 필요할 경우 가까운 DEWALT 제품 판매점에 문의하십시오.

컷 깊이 조정(그림 5-7)

1. 깊이 조정 레버(p)를 올려 풉니다.
2. 정확한 깊이로 절단하려면, 깊이 조정 끈의 표시(q)를 상부 날 가드(l)의 적절한 표시에 맞춥니다.
3. 깊이 조정 레버를 조입니다.
4. 초경 팁 톱날을 사용하여 가장 효율적인 절단을 위해, 톱니의 약 절반이 절단할 나무 표면 아래로 튀어나오도록 깊이 조정을 설정합니다.
5. 정확한 절단 깊이에 대한 확인 방법은 그림 7에 표시되어 있습니다. 그림에 표시된 것처럼, 날의 측면에 따라 절단할 재료의 조각을 놓고 얼마나 많은 톱니가 재료 이상으로 튀어나왔는지 살펴봅니다.

베벨각 조정(그림 8)

베벨각 조정 기계 장치(g)는 0° ~ 48° 사이에서 조정할 수 있습니다 (0° & 55°: DWWE565).

1. 베벨 조정 노브(f)를 돌려 풉니다.
2. 발판을 중심축 브래킷(w)의 원하는 각도 표시로 기울입니다.
3. 베벨 조정 노브를 돌려 다시 조입니다.

절단 표시기(그림 9)

톱 슈의 정면에는 수직 및 베벨 커팅을 위한 절단 표시기(t)가 있습니다. 이 표시기를 통해 절단할 재료에 연필로 그린 커팅 라인에 따라 톱을 가이드할 수 있습니다. 표시기는 톱 날의 좌측(안쪽)과 줄을 맞추어, 움직이는 날로 슬롯 또는 "절단"이 표시기의 우측으로 거꾸러뜨리게 만듭니다. 기판의 표시는 0°와 45°를 나타냅니다.

조절식 코드 보호기 (그림 10)

조절식 코드 보호기(v)를 통해 코드가 날에 대해 수직 또는 평행으로 위치하게 만들 수 있습니다. 수직 위치로 출고됩니다.

수평 위치를 얻으려면(그림 10A)

1. 화살표로 표시된 대로 코드 보호기(v)를 누릅니다.
2. 코드 보호기를 수평 위치에 대해 시계 방향으로 돌립니다.

수직 위치를 얻으려면(그림 10B)

1. 화살표로 표시된 대로 코드 보호기(v)를 누릅니다.
2. 코드 보호기를 수직 위치에 대해 시계 반대 방향으로 돌립니다.

수평 펜스 장착 및 조정(그림 11)

수평 펜스(w)는 작업물의 가장자리에 대해 수평한 절단을 위해 사용됩니다.

장착

1. 그림 11에 표시된 대로 수평 펜스가 통과할 수 있도록 노브를 혈령하게 유지하면서 수평 펜스 조정 노브(x)를 구멍(aa)에 끼웁니다.

2. 그림 11에 표시된 대로 기판(h)으로 수평 펜스(w)를 끼웁니다.
3. 수평 펜스 조정 노브(x)를 조입니다.

조정

1. 펜스 조정 노브(x)를 약간 풀고 수평 펜스(w)를 원하는 너비로 설정합니다. 조정은 수평 펜스 눈금으로 읽을 수 있습니다.
2. 펜스 조정 노브(x)를 조입니다.

작동을 하기 전에

- 가드가 정확하게 장착되었는지 확인하십시오. 톱날 가드는 닫힌 위치에 있어야 합니다.
- 톱날이 날의 화살표 방향으로 회전하는지 확인하십시오.
- 지나치게 많은 톱날을 사용하지 마십시오.

작동

사용 지침



경고: 안전 지시 사항과 해당 규정을 항상 준수하십시오.



경고: 액세서리를 설치 및 제거하기 전, 설정 상태를 조정하거나 변경하기 전, 또는 수리 시 부상의 위험을 줄이려면 장치를 끄고 전원으로부터의 연결을 차단하십시오. 공구가 갑자기 작동하여 부상을 당할 수 있습니다.

올바른 손의 위치(그림 12)



경고: 심각한 신체 부상의 위험을 줄이려면 항상 그림과 같이 올바르게 손을 위치하십시오.



경고: 심각한 부상의 위험을 줄이려면 항상 급작스러운 반동을 예상하고 확실하게 잡으십시오.

손 위치는 한 손을 주 핸들(b) 위에 놓고 다른 손을 보조 핸들(a) 위에 놓는 것이 바람직합니다.

전원 켜기 및 끄기(그림 1)

공구를 작동하려면 ON/OFF 스위치(a)를 누릅니다.

공구를 멈추려면 ON/OFF-스위치를 놓습니다. 작업이 끝나면 플러그를 빼기 전에 항상 공구 스위치를 꺼짐 위치로 놓습니다.

전원 켜기 및 끄기(안전 스위치)(그림 1)

톱에 의도하지 않은 작동을 방지하는 안전 스위치가 장착되어 있을 경우, 아래의 지침을 따르십시오.

공구를 작동하려면, 잠금 해제 버튼(m)을 누른 다음 ON/OFF 스위치(a)를 누릅니다. 잠금 해제 버튼(m)을 놓습니다.

공구를 멈추려면, ON/OFF-스위치(a)를 놓습니다. 작업이 끝나면 플러그를 빼기 전에 항상 공구 스위치를 꺼짐 위치로 놓습니다.

참고: 톱날이 작업대 또는 다른 물체에 닿는 경우 공구 스위치를 켜거나 끄지 마십시오.

작업물 지지대(그림 13-16)



경고: 신체 부상의 위험을 줄이려면, 작업물을 적절하게 지지하고 제어력을 손실하지 않도록 톱을 꼭 잡습니다.

그림 14 및 16은 적절한 톱질 위치를 보여줍니다. 그림 15 및 17은 불안정한 상태를 보여줍니다. 손은 절단 영역에서 멀리 두어야 하고, 전원 코드는 작업물에 걸리거나 매달리지 않도록 절단 영역에서 떨어진 곳에 두어야 합니다.

반동을 방지하려면, 항상 판을 지지하거나 절단물 근처를 판으로 덮습니다(그림 14 및 16). 절단물에서 멀리 판자 또는 판을 지지하지 마십시오(그림 15 및 17). 톱을 작동할 때는, 코드를 절단 영역에서 멀리 두고 작업물에 걸리지 않도록 해야 합니다.

조정을 하기 전에 항상 톱의 연결을 분리하십시오! 작업물은 "안전한" 쪽에 놓습니다(모양이 가장 중요한 곳은 아래쪽입니다). 톱이 위쪽으로 절단하므로, 모든 갈라짐은 톱질할 때 작업을 위에 나타날 것입니다.

절단



경고: 작업 표면에 거꾸로 놓고 절단할 재료를 가져오는 데 이 공구를 사용하려고 하지 마십시오. 항상 작업물을 단단히 고정하고, 그림 16에 표시된 대로 양 손으로 공구를 단단히 잡은 채 작업물로 공구를 가져옵니다.

절단물을 만들 때 떨어지는 부분이 아닌, 견고하게 지지되는 작업물 쪽에 톱 발판의 넓은 부분을 놓습니다. 예를 들어, 그림 16은 판자의 끝을 절단할 오른쪽 방향을 보여 줍니다. 항상 작업물을 고정합니다. 손으로 짧은 조각을 잡으려고 하지 마십시오! 캔틸레버식의 튀어나온 재료를 지지하는 것을 잊지 마십시오. 아래에서 재제를 톱질할 때는 주의하여 사용하십시오.

날이 절단할 재료에 닿기 전에 톱이 최대 속도인지 확인하십시오. 절단물 앞쪽으로 절단하거나 밀 재료에 맞닿은 날의 톱을 시작하면 반동이 일어날 수 있습니다. 날이 큰 힘을 들이지 않고 절단할 수 있는 속도에서 톱을 앞쪽으로 밀니다. 단단함과 역성은 재료의 동일한 조각에서도 다를 수 있고, 뒤트리고 축축한 부분은 톱에 과부하를 줄 수 있습니다. 이러한 경우, 톱을 더 천천히 누릅니다. 단, 속도를 크게 줄이지 않으면서 작업을 유지할 정도를 유지해야 합니다. 톱에 과도한 힘을 주면 고르지 않은 절단, 부정확성, 반동 및 모터의 과열이 발생할 수 있습니다. 절단물이 선을 벗어나기 시작할 경우, 다시 힘을 주려고 하지 마십시오. 스위치를 놓고 날이 완전히 멈추도록 합니다. 그런 다음 톱을 빼내고 새로 볼 수 있으며, 잘못된 것의 약간 안에서 새로 절단을 시작할 수 있습니다. 어떤 경우에도, 절단물을

움켜야 하는 경우 톱을 빼냅니다. 절단물 안에서 정정한 것에 과도한 힘을 주면 톱의 시동이 갑자기 꺼져 반동을 야기할 수 있습니다.

톱의 시동이 갑자기 멈추면, 트리거를 놓고 해제될 때까지 톱을 뒤로 가게 합니다. 다시 시작하기 전에 날이 절단물에서 일직선이고 절단 가장자리에서 떨어져 있는지 확인하십시오.

절단을 끝마쳤으면, 작업물에서 톱을 올리기 전에 트리거를 놓고 날이 멈출 수 있도록 합니다. 톱을 올릴 때, 스프링 작동 신축식 가드가 자동으로 날 아래로 닫힙니다. 이렇게 될 때까지 날이 노출되지 않는다는 것을 잊지 마십시오. 어떤 이유로든 작업물 아래 손을 대지 마십시오. 신축식 가드를 수동으로 넣어야 하는 경우(포켓 컷을 시작할 경우 필요함), 항상 철회 레버를 사용하십시오.

참고: 가느다란 조각을 절단할 때는, 작은 절단 조각이 하부 가드 안쪽에 걸려 있지 않도록 주의하십시오.

세로커기

세로커기(Ripping)는 더 넓은 판자를 더 좁은 가느다란 조각으로 절단하는 과정입니다(세로 결 절단). 이러한 종류의 톱질은 핸드 가이드가 더 어려우므로 DeWALT 수평 펜스(그림 11, w)를 사용할 것을 권장합니다.

포켓 컷팅(그림 17)



경고: 올린 위치에서 날 가드를 묶지 마십시오. 포켓 컷팅 시 톱을 뒤쪽으로 움직이지 마십시오. 이렇게 하면 공구가 작업 표면을 벗어나 들어올려져 부상을 초래할 수 있습니다.

포켓 컷은 마루, 벽 또는 기타 평면에서 하는 절단입니다.

1. 날이 원하는 깊이에서 절단되도록 톱 발판을 조정하십시오.
2. 톱을 앞쪽으로 기울여 절단할 재료의 발판 앞에 놓습니다.
3. 하부 가드 레버를 사용하여, 하부 날 가드를 위쪽 위치로 수축합니다. 날의 톱니가 거의 절단 선에 닿을 때까지 발판의 뒤쪽을 내립니다.
4. 날 가드를 놓습니다(작업물과 맞닿으면 제자리에 유지되어 절단을 시작함에 따라 자유롭게 열립니다). 손을 가드 레버에서 떼고 그림 18에 표시된 대로 보조 핸들(e)을 꼭 잡습니다. 반동이 일어날 경우 반동에 대항할 수 있도록 몸과 팔의 위치를 정합니다.
5. 톱을 작동하기 전에 날이 절단면에 닿지 않았는지 확인하십시오.
6. 모터에 시동을 걸고 발판이 절단할 재료와 평행해질 때까지 점차적으로 톱을 내립니다. 절단이 완료될 때까지 절단 선을 따라 톱을 진행시킵니다.
7. 작업물에서 날을 빼내기 전에 트리거를 놓고 날이 완전히 정지할 수 있도록 합니다.
8. 모든 새 절단을 시작할 때 위와 같이 반복하십시오.

유지 보수

DEWALT 전동 공구는 최소한의 유지 보수로 장기간에 걸쳐 작업이 가능하도록 설계되어 있습니다. 만족스러운 연속 작동은 적절한 공구 관리와 정기적인 청소에 따라 그 성능이 달라질 수 있습니다.



경고: 액세서리를 설치 및 제거하기 전, 설정 상태를 조정하거나 변경하기 전, 또는 수리 시 부상의 위험을 줄이려면 장치를 끄고 전원으로부터의 연결을 차단하십시오. 공구가 갑자기 작동하여 부상을 당할 수 있습니다.



운할방법

자체 운할 볼 및 롤러 베어링이 공구에 사용되었으므로 다시 운할하지 않아도 됩니다. 그러나, 일년에 한 번 기어 상자의 철저한 청소, 검사 및 운할을 위해 서비스 센터로 공구를 맡기거나 보내는 것이 좋습니다.



청소



경고: 통풍구 속이나 주변에 먼지가 쌓여있는 것이 보이면 가능한 한 자주 건조한 공기를 이용하여 몸체 및 가드 주변의 먼지를 불어내십시오. 절자를 수행할 때에는 승인된 보호 장구 및 승인된 방진 마스크를 착용하십시오.

하부 가드

하부 가드는 항상 돌아야 하고 완전히 열린 위치에서 완전히 닫힌 위치까지 자유롭게 닫혀야 합니다. 항상 가드를 완전히 열거나 닫히도록 하여 절단을 하기 전에 정확한 작동을 점검하십시오. 가드가 천천히 닫히거나 완전히 닫히지 않는 경우, 청소 또는 정비가 필요할 것입니다. 정확하게 작동될 때까지 톱을 사용하지 마십시오. 가드를 청소하려면, 드라이어 또는 부드러운 브러시를 사용하여 가드 경로 및 가드 스프링 주변에서 쌓여 있는 모든 톱밥이나 잔해를 제거하십시오. 이렇게 해도 문제가 해결되지 않으면, 공인 서비스 센터에서 정비를 받아야 합니다.



경고: 공구의 금속 이외의 부품을 청소할 때는 용제 등의 강력한 화학약품을 절대 사용하지 마십시오. 그렇지 않으면 이러한 부분에 사용된 재료가 약해질 수 있습니다. 헹굼에 물과 순한 비누를 적셔 닦아주십시오. 공구 내부에 액체를 넣거나 공구 부품을 액체에 담그는 행동은 절대 금물입니다.

톱날

무딘 날은 느리고 비효율적인 절단, 톱 모터의 과부하, 과도한 쪼개짐을 유발하고, 반동의 가능성을 높일

수 있습니다. 더 이상 절단물을 통해 톱을 밀어 넣는 것이 쉽지 않을 때, 모터가 과부화되고 있을 때, 또는 날에 과도한 열이 축적되는 경우 날을 교환하십시오. 날카로운 날을 즉시 사용할 수 있도록 여분의 날을 보관하고 있는 것이 좋습니다. 대부분의 영역에서 무딘 날을 날카롭게 만들 수 있습니다.

날에 붙어 있는 단단해진 수지는 등유, 테레빈유 또는 세제를 사용해서 제거할 수 있습니다. 들러붙음 방지 코팅 날은 압력 약품이 처리된 녹색 작동사니 등 과도한 축적물이 쌓인 용도에 사용할 수 있습니다.

옵션 액세서리



경고: DEWALT 에서 제공하지 않은 액세서리는 본 제품에서 테스트되지 않았으므로, 본 제품에서 이러한 액세서리를 사용하면 위험할 수 있습니다. 신체 부상의 위험을 줄이려면 본 제품에 DEWALT 권장 액세서리만 사용해야 합니다.

이 톱에는 급수 부가 장치를 사용하지 마십시오.

사용하기 전에 카바이드 날을 눈으로 점검하십시오. 손상된 경우 교체하십시오.

해당 액세서리에 대한 자세한 정보는 판매 대리점으로 문의하십시오.

환경 보호



분리 수거하십시오. 본 제품을 일반 가정용 쓰레기로 처리하면 안됩니다.



DEWALT 제품을 교체해야 하거나 더 이상 쓸모가 없어졌다고 판단될 때는 본 제품을 가정용 쓰레기와 함께 처리하지 마십시오. 이 제품은 분리 수거하십시오.



사용하던 제품과 포장물 분리 수거하면 자원을 재활용 및 재사용할 수 있습니다. 재활용 자원을 이용하면 환경 오염이 방지되고 고철 자원에 대한 수요를 줄일 수 있습니다.

지역에 따라 가정용 가전제품을 분리 수거하는 규정이 마련되어 있거나 새로운 제품을 구입할 때 판매점에서 폐기 방법을 알려줄 수 있습니다.

DEWALT 는 사용이 끝난 DEWALT 제품을 수집하여 재활용하기 위한 시설을 운영하고 있습니다. 이 서비스를 활용하려면 당사가 폐제품 수거를 위임한 수리 지정점에 제품을 반환해 주십시오.

본 사용 사용 설명서에 기재된 연락처로 가까운 DEWALT 센터에 연락하면 가까운 수리 지정점 위치를 찾을 수 있습니다. 또는 다음 웹 사이트를 방문하여 DEWALT 수리 지정점 목록과 A/S 및 연락처 등 자세한 정보를 찾아볼 수 있습니다. www.2helpU.com.

เลื่อยวงเดือน 184 มม. (7-1/4 นิ้ว) DWE561, DWE565

ขอแสดงความยินดี!

ท่านได้เลือกใช้อุปกรณ์จาก DEWALT ด้วยประสบการณ์ที่ยาวนานหลายปี ตลอดจนการพัฒนาผลิตภัณฑ์และนวัตกรรมใหม่ๆ ทำให้ DEWALT เป็นหนึ่งในเครื่องมือไฟฟ้าที่น่าเชื่อถือที่สุดสำหรับกลุ่มผู้ใช้เครื่องมือไฟฟ้าระดับมืออาชีพ

ข้อมูลทางเทคนิค

		DWE561	DWE565
แรงดันไฟฟ้า	V	220-240	220-240
ชนิด		1	1
กำลังไฟเข้า	W	1200	1250
ความเร็วขณะไม่มีภาระโหลด	นาที ¹	5500	5500
เส้นผ่าศูนย์กลางใบเลื่อย	มม.	184	184
ความลึกของรอยตัดสูงสุดที่			
90°	มม.	65	65
45°	มม.	42	42
รูปใบเลื่อย	มม.	20	20
การปรับมุมเอียง		48°	55°
น้ำหนัก	กก.	3.60	3.70

คำจำกัดความ: ข้อแนะนำด้านความปลอดภัย

คำจำกัดความด้านล่างอธิบายถึงระดับความรุนแรงของคำแต่ละคำที่ใช้เรียกสัญลักษณ์ต่างๆ โปรดอ่านคู่มือและทำความเข้าใจกับสัญลักษณ์เหล่านี้



อันตราย: หมายถึงสถานการณ์ที่ก่อให้เกิดอันตรายได้อย่างฉับพลัน ซึ่งหากไม่ระวังจะทำให้เสียชีวิตหรือบาดเจ็บสาหัสได้



คำเตือน: หมายถึงสถานการณ์ที่มีแนวโน้มว่าจะก่อให้เกิดอันตราย ซึ่งหากไม่ระวังสามารถทำให้เกิดอันตรายถึงชีวิตหรือบาดเจ็บสาหัสได้



ข้อควรระวัง: หมายถึงสถานการณ์ที่มีแนวโน้มว่าจะก่อให้เกิดอันตราย ซึ่งหากไม่ระวังอาจทำให้ได้รับบาดเจ็บเล็กน้อยถึงปานกลาง

ข้อสังเกต: หมายถึงการปฏิบัติที่ไม่เกี่ยวข้องกับการบาดเจ็บส่วนบุคคล ซึ่งหากไม่ระวังอาจทำให้ทรัพย์สินเสียหาย



แสดงถึงอันตรายจากการถูกไฟฟ้าดูด



แสดงถึงอันตรายจากการเกิดเพลิงไหม้



คำเตือน: เพื่อลดความเสี่ยงต่อการบาดเจ็บ โปรดอ่านคู่มือการใช้งานเล่มนี้

คำเตือนด้านความปลอดภัยทั่วไปจากการใช้เครื่องมือไฟฟ้า



คำเตือน! โปรดอ่านคำเตือนและข้อปฏิบัติเพื่อความปลอดภัยทั้งหมด การไม่ปฏิบัติตามคำเตือนและข้อปฏิบัติเหล่านี้อาจทำให้เกิดไฟฟ้าช็อต เกิดอัคคีภัย และ/หรือบาดเจ็บสาหัสได้

เก็บเอกสารคำเตือนและข้อปฏิบัติทั้งหมดไว้เพื่อใช้อ้างอิงในภายหลัง

คำว่า “เครื่องมือไฟฟ้า” ในคำเตือน หมายถึงเครื่องมือไฟฟ้าที่ทำงานผ่านสายเมน (มีสาย) หรือแบตเตอรี่ (ไม่ใช่สาย)

1) ความปลอดภัยในบริเวณที่ทำงาน

- รักษาความสะอาดและจัดให้มีแสงสว่างเพียงพอในบริเวณที่ทำงาน บริเวณทำงานที่ไม่เป็นระเบียบหรือมีดอาจทำให้เกิดอุบัติเหตุได้
- ห้ามใช้เครื่องมือไฟฟ้าในบริเวณที่อาจเกิดการระเบิด เช่น ในสถานที่ที่มีของเหลว แก๊ส หรือ ผุ่นผงที่มีคุณสมบัติไวไฟ เครื่องมือไฟฟ้าจะทำให้เกิดประกายไฟที่อาจทำให้เกิดละอองไฟหรือเปลวไฟขึ้นได้
- ระวังไม่ให้เด็กเล็กและคนเดินผ่านไปมาเข้าใกล้ในขณะที่ใช้งานเครื่องมือไฟฟ้า สิ่งรบกวนอาจทำให้ท่านเสียสมาธิได้

2) ความปลอดภัยทางไฟฟ้า

- ปลั๊กไฟของเครื่องต้องเป็นชนิดเดียวกับเต้ารับ ห้ามดัดแปลงปลั๊กไม่ว่าด้วยวิธีใด ห้ามใช้ปลั๊กอะแดปเตอร์ใดๆ กับเครื่องมือไฟฟ้าที่ต่อสายดิน (ลงกราวด์) ปลั๊กที่ไม่มีการดัดแปลงและเต้ารับชนิดเดียวกันจะช่วยลดความเสี่ยงจากการเกิดไฟฟ้าช็อต

- ข) หลีกเลี่ยงการสัมผัสพื้นผิวที่ต่อสายดินหรือสายกราวด์ เช่น ท่อ หมอนน้ำ เต้าหุ้มต้ม และตู้เย็น มีความเสี่ยงเพิ่มขึ้นที่จะถูกไฟดูดหากร่างกายเป็นสื่อเชื่อมต่อลงดิน
- ค) อย่าให้เครื่องมือไฟฟ้าถูกฝนหรือเปียกน้ำ น้ำที่เข้าเครื่องมือไฟฟ้าจะเพิ่มความเสี่ยงในการเกิดไฟฟ้าช็อต
- ง) ห้ามใช้สายไฟผิดวัตถุประสงค์ ห้ามใช้สายไฟเพื่อหิ้ว ดึง หรือถอดปลั๊กเครื่องมือไฟฟ้า เก็บสายไฟให้พ้นจากความร้อน น้ำมัน ของมีคม หรือชิ้นส่วนที่กำลังเคลื่อนที่ สายไฟที่ชำรุดหรือพันกันเป็นการเพิ่มความเสี่ยงจากการถูกไฟดูด
- จ) เมื่อใช้เครื่องมือไฟฟ้านอกอาคาร ให้ใช้สายต่อพ่วงที่เหมาะสมสำหรับการใช้งานนอกอาคาร ใช้สายไฟที่เหมาะสมสำหรับการใช้งานกลางแจ้ง เพื่อลดความเสี่ยงในการถูกไฟดูด
- ฉ) หากไม่สามารถหลีกเลี่ยงการใช้เครื่องมือไฟฟ้าในบริเวณที่ชื้นและได้ ให้ใช้อุปกรณ์ป้องกันไฟฟ้าสะสม (RCD) ที่จัดไว้ให้ การใช้ RCD จะเป็นการลดความเสี่ยงจากการถูกไฟดูด
- 3) ความปลอดภัยส่วนบุคคล**
- ก) ตื่นตัวและมีสมาธิกับสิ่งที่คุณกำลังทำ พร้อมใช้สามัญสำนึกเมื่อใช้เครื่องมือไฟฟ้า ห้ามใช้เครื่องมือไฟฟ้าในขณะที่คุณกำลังเหนื่อยหรือได้รับอิทธิพลจากยา แอลกอฮอล์ หรือการรักษาบางอย่าง การขาดความระมัดระวังในการใช้เครื่องมือไฟฟ้าแม้ชั่วขณะหนึ่งอาจทำให้บาดเจ็บสาหัสได้
- ข) ใช้อุปกรณ์ป้องกันส่วนบุคคล สวมอุปกรณ์ป้องกันดวงตาเสมอ การใช้อุปกรณ์ป้องกัน เช่น หน้ากากป้องกันฝุ่น รองเท้านิรภัยกันลื่น หมวกนิรภัย หรืออุปกรณ์ป้องกันเสียงดังในสภาวะที่เหมาะสมจะช่วยลดอาการบาดเจ็บส่วนบุคคลได้
- ค) ป้องกันเครื่องเปิดทำงานโดยไม่ได้ตั้งใจ สวิตช์ต้องอยู่ในตำแหน่งปิดก่อนที่จะเสียบปลั๊กของเครื่องเข้ากับแหล่งจ่ายไฟ และ/หรือแบตเตอรี่หรือก่อนยกหรือหิ้วหัวเครื่องมือ การยกเครื่องมือไฟฟ้าในขณะที่นิ้วอยู่ที่สวิตช์ หรือใช้เครื่องมือไฟฟ้าที่สวิตช์เปิดอยู่ อาจทำให้เกิดอุบัติเหตุได้
- ง) ถอดกุญแจปรับแต่งหรือประแจออกก่อนเปิดสวิตช์เครื่องมือไฟฟ้า ประแจหรือกุญแจที่เสียบคาไว้กับชิ้นส่วนที่กำลังหมุนของเครื่องมือไฟฟ้าอาจทำให้ได้รับบาดเจ็บได้
- จ) ห้ามยืนเขย่งเท้าขณะใช้เครื่อง ขณะใช้เครื่องมือควรวางให้มั่นคงและมีความสมดุลตลอดเวลา
- เพื่อช่วยในการควบคุมเครื่องมือไฟฟ้าได้ดียิ่งขึ้น ในสถานการณ์ที่ไม่คาดคิด
- ฉ) แต่งกายให้เหมาะสม ห้ามสวมเสื้อผ้าหลวมหรือใส่เครื่องประดับ รวบผม ชายเสื้อ และถุงมือให้ห่างจากชิ้นส่วนที่กำลังหมุน เสื้อผ้าที่หลวมหรือยาวรุ่มร่าม เครื่องประดับ หรือผมที่ยาวอาจเข้าไปพันกับชิ้นส่วนที่กำลังหมุน
- ข) หากมือปกรณสำหรับดูดและเก็บฝุ่น ต้องตรวจสอบให้แน่ใจว่าได้เชื่อมต่อและใช้งานอุปกรณ์นั้นอย่างเหมาะสม การใช้อุปกรณ์เก็บฝุ่นจะช่วยลดอันตรายที่เกี่ยวข้องกับฝุ่นได้
- 4) การใช้และการดูแลรักษาเครื่องมือไฟฟ้า**
- ก) ห้ามพินใช้เครื่องมือไฟฟ้า เลือกใช้เครื่องมือไฟฟ้าที่ถูกติดตั้งตรงกับลักษณะการใช้งานของคุณ เครื่องมือไฟฟ้าที่ถูกต้องจะทำงานได้ดีกว่าและปลอดภัยกว่าหากใช้งานตามปกติที่ได้รับการออกแบบมา
- ข) ห้ามใช้เครื่องมือไฟฟ้าถ้าสวิตช์เปิดปิดเครื่องไม่ทำงาน เครื่องมือไฟฟ้าที่ไม่สามารถควบคุมผ่านสวิตช์ได้ มีอันตรายและต้องส่งซ่อม
- ค) ถอดปลั๊กของเครื่องมือไฟฟ้าออกจากแหล่งจ่ายไฟ และ/หรือ แบตเตอรี่ก่อนทำการปรับแต่ง เปลี่ยนอุปกรณ์เสริม หรือจัดเก็บ มาตรการเพื่อความปลอดภัยซึ่งการป้องกันนี้จะช่วยลดความเสี่ยงในการเปิดเครื่องให้ทำงานโดยไม่ได้ตั้งใจ
- ง) เก็บเครื่องมือไฟฟ้าที่ไม่ได้ใช้งานไว้ให้พ้นมือเด็ก และไมอนุญาตให้บุคคลที่ไม่คุ้นเคยกับเครื่องมือไฟฟ้าหรือข้อปฏิบัติเหล่านี้เป็นผู้ใช้เครื่องมือเครื่องมือไฟฟ้าจะเป็นอันตรายหากอยู่ในมือผู้ใช้ที่ไม่มีประสบการณ์
- จ) บำรุงรักษาเครื่องมือไฟฟ้า ตรวจสอบการวางตำแหน่งหรือการต่อชิ้นส่วนที่เคลื่อนที่ จุดเชื่อมต่อชิ้นส่วนและสภาพอื่นๆ ที่อาจส่งผลกระทบต่อการทำงานของเครื่องมือไฟฟ้า หากชำรุดเสียหายให้ส่งซ่อมก่อนนำมาใช้ อุบัติเหตุจำนวนมากเกิดจากการดูแลรักษาเครื่องมือไฟฟ้าไม่ดีพอ
- ฉ) เครื่องมือตัดต้องคมและสะอาดอยู่เสมอ เครื่องมือตัดที่ผ่านการดูแลรักษาที่เหมาะสมและมีขอบสำหรับงานตัดที่คม จะไม่ค่อยเกิดปัญหาและควบคุมได้ง่าย
- ข) ใช้เครื่องมือไฟฟ้า อุปกรณ์เสริมและชุดอุปกรณ์ต่างๆ ให้สอดคล้องกับข้อปฏิบัติเหล่านี้ โดยพิจารณาถึงสภาพการทำงานและงานที่ท่าเป็นสำคัญ การใช้เครื่องมือไฟฟ้าทำงานอื่น นอกเหนือจากที่กำหนดไว้อาจทำให้เกิดอันตรายได้

5) การบริการ

- ก) ให้ช่างซ่อมที่มีความเชี่ยวชาญเป็นผู้ซ่อมเครื่องมือและใช้อะไหล่แท้เท่านั้น ซึ่งจะช่วยรับประกันได้ว่าเครื่องมือไฟฟ้ายังมีความปลอดภัยอยู่

กฎเกณฑ์เพิ่มเติมเพื่อความปลอดภัย เฉพาะสำหรับเลื่อยวงเดือน

ข้อปฏิบัติเพื่อความปลอดภัยสำหรับการใช้งาน เลื่อยทุกประเภท

- ก) **⚠ อันตราย: ระวังคมของมือที่อยู่ห่างจากบริเวณที่ตัดและใบเลื่อย ใช้มืออีกข้างหนึ่งจับที่มือจับเสริมหรือตัวมอเตอร์** หากมือทั้งสองข้างจับอยู่ที่ตัวเลื่อย ใบเลื่อยก็จะไม่สามารถบาดมือได้
- ข) **ห้ามสอดมือเข้าไปใต้ชิ้นงาน** ตัวครอบป้องกันไม่สามารถป้องกันคุณจากใบเลื่อยที่บริเวณใต้ชิ้นงานได้
- ค) **ปรับความลึกในการตัดตามความหนาของชิ้นงาน** พินเลื่อยที่ทะลุพ้นออกมาให้เห็นที่ใต้ชิ้นงานควรมีขนาดไม่เต็มซี่
- ง) **ห้ามจับชิ้นงานที่จะตัดด้วยมือหรือหนีบไว้ด้วยขาโดยเด็ดขาด** จับยึดชิ้นงานบนแท่นที่มั่นคง การหมุนชิ้นงานอย่างเหมาะสมเป็นสิ่งสำคัญต่อการลดความเสี่ยงต่อร่างกาย การติดขัดของใบเลื่อย และการเสียการควบคุมให้น้อยที่สุด
- จ) **จับเครื่องมือไฟฟ้าที่พื้นผิวส่วนที่ใช้จับซึ่งมีฉนวนป้องกันเท่านั้น** เมื่อใช้งานเครื่องซึ่งเครื่องมีตัดอาจสัมผัสกับสายไฟที่ซ่อนอยู่ การสัมผัสถูกสายไฟที่มี "กระแสไฟฟ้าผ่าน" จะทำให้ชิ้นส่วนโลหะของเครื่องมือไฟฟ้าที่อยู่นอกฉนวนได้รับ "กระแสไฟฟ้าผ่าน" และทำให้ผู้ใช้ถูกไฟดูดได้
- ฉ) **เมื่อทำงานตัดแนวตรง ให้ใช้แผงกันใบเลื่อยหรือตัวนำแบบขอบตรงเสมอ** วิธีนี้จะช่วยเพิ่มความแม่นยำของการตัดและลดโอกาสที่ใบเลื่อยจะติดขัด
- ช) **ใช้ใบเลื่อยที่มีขนาดและรูปทรงของตัดซึ่งถูกต้องเสมอ (แบบข้าวหลามตัดหรือวงกลม)** ใบเลื่อยที่ไม่เหมาะสมกับอุปกรณ์ติดตั้งของเลื่อยจะทำงานแกว่ง ทำให้เสียการควบคุมได้
- ช) **ห้ามใช้แหวนรองและโบลท์ประกอบใบเลื่อยที่เสียหายหรือไม่ถูกต้องโดยเด็ดขาด** แหวนรองและโบลท์ประกอบใบเลื่อยนั้นออกแบบมาสำหรับเลื่อยของคุณโดยเฉพาะ เพื่อให้มีประสิทธิภาพการทำงานและความปลอดภัยสูงสุด

สาเหตุและการป้องกันผู้ใช้เครื่องจากการติดกลับ

- การติดกลับหมายถึงปฏิกิริยาสะท้อนแบบฉับพลันจากใบเลื่อยที่ถูกหนีบ ตัด หรือผิดแนว ซึ่งทำให้เลื่อยที่เสียการควบคุมดีดตัวขึ้นหลุดออกจากชิ้นงานและกลับไปหาผู้ใช้เครื่อง
- เมื่อใบเลื่อยถูกหนีบหรือติดแน่นในรอยเลื่อยที่บีบเข้า ใบเลื่อยจะค้างและปฏิกิริยาสะท้อนของมอเตอร์จะผลึกอุปกรณ์กลับไปหาผู้ใช้เครื่องอย่างรวดเร็ว
- หากใบเลื่อยบิดหรือผิดแนวระหว่างตัด พินเลื่อยที่ขอบด้านหลังของใบเลื่อยจะขบผิวด้านบนของไม้ ทำให้ใบเลื่อยป็นขึ้นพื้นรอยตัดและติดกลับไปหาผู้ใช้เครื่อง

การติดกลับเป็นผลมาจากการใช้งานเลื่อยอย่างไม่ถูกวิธี และ/หรือขั้นตอนหรือสภาวะการใช้งานที่ไม่ถูกต้อง และไม่สามารถหลีกเลี่ยงได้ด้วยการใช้มาตรการป้องกันที่เหมาะสมที่ให้ได้ด้านล่างนี้

- ก) **จับเลื่อยให้มั่นคงด้วยมือทั้งสองข้างและวางแขนให้อยู่ในตำแหน่งสำหรับด้านบนเรียดกลับ ยืนที่ด้านใดด้านหนึ่งของใบเลื่อย** แต่ห้ามยืนในแนวเดียวกับใบเลื่อย การติดกลับอาจทำให้เลื่อยวิ่งย้อนกลับ แต่ผู้ใช้เครื่องสามารถควบคุมแรงติดกลับได้หากดำเนินการป้องกันที่เหมาะสม
- ข) **เมื่อใบเลื่อยติด หรือเมื่อจะหยุดการตัดกลางคันด้วยสาเหตุใดๆ ก็ตาม ให้ปล่อยสวิตช์และจับเลื่อยให้หนึ่งอยู่กับชิ้นงานจนกระทั่งใบเลื่อยหยุดสนิท** ห้ามดึงเลื่อยออกจากชิ้นงานหรือดีดเลื่อยถอยหลังซึ่งใบเลื่อยหมุนอยู่โดยเด็ดขาด มิฉะนั้นเลื่อยอาจติดกลับได้ ตรวจสอบและทำการแก้ไขเพื่อขจัดสาเหตุของใบเลื่อยที่ติดขัด
- ค) **เมื่อจะเริ่มตัดงานตัดในชิ้นงานอีกครั้ง ให้วางใบเลื่อยที่กึ่งกลางรอยตัดและตรวจสอบว่าพินเลื่อยไม่ได้ขบติดอยู่ในวัสดุชิ้นงาน** หากใบเลื่อยติดเลื่อยอาจติดขึ้นหรือติดกลับจากชิ้นงานเมื่อเดินเครื่องได้
- ง) **หมุนชิ้นงานแผ่นใหญ่เพื่อลดความเสี่ยงที่ใบเลื่อยจะถูกหนีบและติดกลับ** ชิ้นงานแผ่นใหญ่มีแนวโน้มที่จะย่อยลงจากน้ำหนักของชิ้นงาน ต้องวางแท่นรองหนุนใต้ชิ้นงานทั้งสองด้านที่ตำแหน่งใกล้แนวตัดและใกล้ขอบของแผ่นชิ้นงาน
- จ) **ห้ามใช้ใบเลื่อยที่ทื่อหรือเสียหาย** ใบเลื่อยที่ไม่ได้ลับคมหรือใส่อย่างไม่เหมาะสมจะทำให้รอยตัดแคบเป็นสาเหตุให้มีแรงเสียดทานสูงเกินควร ใบเลื่อยติดขัดและติดกลับ

- ฉ) ต้องขันคันทันล้อควมลึกใบเลื่อยและคันทันล้อคปรับมุมเอียงและยึดให้แน่นก่อนเริ่มงานตัด ถ้าตัวปรับใบเลื่อยเลื่อนระหว่างการตัด อาจทำให้เลื่อยติดขัดและติดกลับได้
- ช) ต้องใช้ความระมัดระวังเป็นพิเศษขณะทำการ "ตัดแบบเซาะร่อง" เข้าไปในผนังหรือพื้นที่ปิดอื่นๆ ใบเลื่อยที่แทงเข้าไปอาจไปตัดถูกวัตถุที่ทำให้เลื่อยติดกลับได้

ข้อปฏิบัติเพื่อความปลอดภัยสำหรับการใช้งานตัวครอบป้องกันด้านล่าง

- ก) ตรวจสอบตัวครอบป้องกันด้านล่างว่าปิดอย่างเหมาะสมแล้วก่อนใช้งานแต่ละครั้ง ห้ามใช้งานเลื่อยหากตัวครอบป้องกันด้านล่างไม่สามารถขยับได้อย่างอิสระและไม่ปิดสนิท ห้ามจับยึดหรือผูกตัวครอบป้องกันด้านล่างไว้ในตำแหน่งเปิด หากพลาดพลั้งทำเลื่อยตกตัวครอบป้องกันด้านล่างอาจบิดเบี้ยวได้ ยกตัวครอบป้องกันด้านล่างขึ้นด้วยมือจับสำหรับดึงเก็บ และตรวจสอบให้แน่ใจว่าตัวครอบขยับได้อย่างอิสระและไม่สัมผัสกับใบเลื่อยหรือชิ้นส่วนอื่นๆ ในทุกๆ มุมและความลึกของการตัด
- ข) ตรวจสอบการทำงานของสปริงตัวครอบป้องกันด้านล่าง หากตัวครอบและสปริงไม่ทำงานตามปกติ ต้องนำไปซ่อมแซมที่ศูนย์บริการก่อนใช้งานตัวครอบป้องกันด้านล่างอาจฝืดได้หากชิ้นส่วนเสียหาย มีคราบเหนียว หรือมีเศษวัสดุสะสมอยู่มาก
- ค) ผู้ใช้ควรดึงตัวครอบป้องกันด้านล่างเก็บด้วยตนเองเฉพาะเมื่อทำงานตัดแบบพิเศษ อาทิ "การตัดแบบเซาะร่อง" และ "การตัดประกอมนุม" เท่านั้น ยกตัวครอบป้องกันด้านล่างขึ้นโดยการดึงที่มีมือจับ และต้องปล่อยตัวครอบป้องกันด้านล่างทันทีที่ใบเลื่อยตัดเข้าชิ้นงานแล้ว สำหรับการเลื่อยแบบอื่นๆ ทั้งหมดให้ตัวครอบป้องกันด้านล่างทำงานอัตโนมัติ
- ง) สังเกตดูว่าตัวครอบป้องกันด้านล่างครอบปิดใบเลื่อยแล้วก่อนจะวางเลื่อยลงบนโต๊ะทำงานหรือพื้น ใบเลื่อยเบี่ยงที่ยังหมุนอิสระอยู่จะทำให้เลื่อยวิ่งถอยกลับและตัดวัตถุในเส้นทาง โปรดอย่าลืมนำสายหลังปล่อยสวิตช์แล้วใบเลื่อยต้องใช้เวลาคู่หนึ่งจึงจะหยุดหมุน

ข้อปฏิบัติเพื่อความปลอดภัยเพิ่มเติมสำหรับการใช้งานเลื่อยวงเดือน

- **สวมอุปกรณ์ป้องกันหู** การเผชิญกับเสียงดังมากๆ อาจทำให้สูญเสียความสามารถในการได้ยิน
- **สวมหมวกกันน็อก** การสัมผัสฝุ่นละอองอาจทำให้เกิดอาการหายใจลำบากและการบาดเจ็บได้
- **ห้ามใช้ใบเลื่อยที่มีเส้นผ่านศูนย์กลางใหญ่กว่าหรือเล็กกว่าที่แนะนำ** สำหรับอัตราใบเลื่อยที่เหมาะสม โปรดดูข้อมูลทางเทคนิค โดยเฉพาะใบเลื่อยที่ระบุไว้ในคู่มือเล่มนี้เท่านั้นตาม EN 847-1
- **ห้ามใช้ใบตัดประเภทใบหินหรือใบตัดเพชร ห้ามตัดวัสดุคอนกรีต อิฐ เหล็ก หรือวัสดุอื่นๆ ที่ไม่มีมือจับ**
- **ห้ามใช้อุปกรณ์ต่อพ่วงสำหรับจ่ายน้ำ**
- **ใช้ตัวจับชิ้นงานหรือวิธีอื่นๆ ที่ได้ผลเพื่อยึดและหนุนชิ้นงานบนแท่นที่มั่นคง** การใช้มือจับหรือให้ชิ้นงานพังกับลำตัวจะไม่มั่นคงและอาจทำให้สูญเสียการควบคุมได้
- **ห้ามใช้เลื่อยนี้ในลักษณะเป็นโต๊ะเลื่อย**

ความเสถียร

การใช้งานเลื่อยวงเดือนจะมีความเสถียรดังต่อไปนี้

- การบาดเจ็บจากการสัมผัสชิ้นส่วนของเครื่องมือที่กำลังหมุนหรือร้อน

แม้จะปฏิบัติตามข้อกำหนดด้านความปลอดภัยที่เกี่ยวข้องและใช้อุปกรณ์นี้รัย แต่ยังไม่สามารถหลีกเลี่ยงความเสี่ยงสะสมบางประเภทได้ ความเสี่ยงเหล่านั้นได้แก่:

- ความบกพร่องในการได้ยินเสียง
- ความเสี่ยงของการหนีบถูกนิ้วในขณะที่เปลี่ยนอุปกรณ์เสริม
- อันตรายต่อสุขภาพที่เกิดจากการสูดดมฝุ่นที่เกิดขึ้นในขณะที่ทำงานกับไม้

สัญลักษณ์บนเครื่องมือ

รูปภาพต่อไปนี้ประจำกฎบนเครื่องมือ:



โปรดอ่านคู่มือแนะนำการใช้งานก่อนใช้งาน

ตำแหน่งของรหัสวันที่ (รูป 1)

รหัสวันที่ (z) ซึ่งรวมถึง ปีที่ผลิต จะพิมพ์ไว้บนตัวเครื่องตัวอย่างเช่น:

2011 XX XX

ปีที่ผลิต

รายการส่วนประกอบบรรจุภัณฑ์

สิ่งของในบรรจุภัณฑ์ได้แก่:

- 1 เลื่อยวงเดือน 184 มม. (7-1/4 นิ้ว) (DWE561) หรือ
- 1 เลื่อยวงเดือน 184 มม. (7-1/4 นิ้ว) (DWE565)
- 1 ใบเลื่อยวงเดือน
- 1 ประแจขันใบเลื่อย
- 1 แฝงกัน
- 1 คู่มือการใช้งาน
- ตรวจสอบร่องรอยความเสียหายของเครื่องมือชิ้นส่วนหรืออุปกรณ์เสริม ที่อาจเกิดขึ้นในระหว่างการขนส่ง
- โปรดอ่านและทำความเข้าใจคู่มือเล่มนี้ก่อนการใช้งาน

คำอธิบาย (รูป 1)



คำเตือน: ห้ามปรับแต่งเครื่องมือไฟฟ้าและชิ้นส่วนใดๆ โดยเด็ดขาด เพราะอาจทำให้เครื่องมือชำรุดหรือได้รับบาดเจ็บได้

- a. สวิตช์โก
- b. มือจับหลัก
- c. ตัวล็อคใบเลื่อย
- d. ฝาครอบ
- e. มือจับเสริม (จำหน่ายแยกต่างหากตามภูมิภาคที่กำหนด)
- f. ปุ่มปรับความเอียง
- g. กลไกการปรับมุมเอียง
- h. แผ่นฐาน
- i. ตัวครอบป้องกันใบเลื่อยด้านล่าง
- j. สกรูยึดใบเลื่อย
- k. คันดึงเก็บตัวครอบป้องกันด้านล่าง
- l. ตัวครอบป้องกันใบเลื่อยด้านบน
- m. ปุ่มล็อค (OFF) (ปุ่มล็อค (ON) สำหรับบางประเทศ)

วัตถุประสงค์ในการใช้งาน

เลื่อยวงเดือนสำหรับงานหนักเหล่านี้ออกแบบมาสำหรับการตัดไม้ระดับมืออาชีพ ห้ามใช้อุปกรณ์ต่อพ่วงสำหรับจ่ายน้ำกับเลื่อยนี้ ห้ามใช้แผ่นขัดหรือใบเลื่อยตัดโลหะ ห้ามใช้งานในบริเวณที่เปียกชื้น หรือมีของเหลวไวไฟหรือแก๊สอยู่ในบริเวณดังกล่าว และห้ามใช้กับใบตัดเพชร เลื่อยสำหรับงานหนักเป็นเครื่องมือไฟฟ้าสำหรับมืออาชีพ ห้ามเด็กสัมผัสกับเครื่องมือไฟฟ้า ผู้ใช้ที่ไม่ประสบความสำเร็จมาก่อนต้องได้รับการดูแลในขณะใช้เครื่องมือนี้

- เครื่องมือนี้ไม่ได้มีไว้เพื่อการใช้งานโดยบุคคล (ซึ่งรวมถึงผู้เยาว์) ที่มีความบกพร่องทางร่างกาย ทางกรับความรู้สึกร หรือทางจิตประสาท หรือขาดประสบการณ์ ความรู้ และทักษะ เว้นเสียแต่จะได้รับการควบคุมดูแลหรือคำแนะนำการใช้เครื่องมือโดยผู้ที่รับผิดชอบต่อความปลอดภัยของบุคคลเหล่านั้น ห้ามปล่อยผู้เยาว์ไว้กับเครื่องมือนี้ตามลำพัง

ความปลอดภัยทางไฟฟ้า



เครื่องมือนี้มีฉนวนสองชั้น ดังนั้นจึงไม่จำเป็นต้องต่อสายดิน ต้องตรวจสอบกำลังไฟเพื่อให้ตรงกับแรงดันไฟฟ้าบนแผ่นแสดงพิกัดเสมอ



คำเตือน: ต้องใช้งานอุปกรณ์ 115 โวลต์ผ่านหม้อแปลงเดี่ยวแบบมีอุปกรณ์ป้องกันพร้อมทั้งแผ่นสายดินระหว่างขดลวดหลักและรอง

ถ้าสายไฟของตัวเครื่องชำรุดเสียหาย ต้องเปลี่ยนเป็นสายไฟที่จัดเตรียมมาเป็นพิเศษซึ่งสั่งซื้อได้จากศูนย์บริการของ DEWALT

การใช้สายพ่วง

ในกรณีที่ต้องใช้สายพ่วง ให้ใช้สายพ่วง 3 ขั้วที่มีการรับรองและเหมาะสมกับปริมาณไฟเข้าของอุปกรณ์ ขนาดของลีส้นำไฟฟ้าต่ำสุด คือ 1.5 มม.² ความยาวสูงสุดคือ 30 ม.

เมื่อใช้อุปกรณ์ผ่านเก็บสายไฟ ให้คลายสายไฟออกจนหมดก่อน

การประกอบและการปรับแต่ง



คำเตือน: เพื่อลดความเสี่ยงจากการบาดเจ็บให้ปิดเครื่องมือและถอดปลั๊กเครื่องมือออกจากแหล่งจ่ายไฟก่อนการประกอบและถอดอุปกรณ์เสริม ก่อนการปรับแต่งหรือเปลี่ยนชุดตัดตัด หรือขณะทำการซ่อมแซม การปล่อยเปิดเครื่องมือโดยไม่ได้ตั้งใจอาจทำให้เกิดการบาดเจ็บได้

การเปลี่ยนใบเลื่อย



ข้อควรระวัง: หน้าแปลนด้านในมีเส้นผ่าศูนย์กลาง 20 มม. ที่ด้านหนึ่ง และเส้นผ่าศูนย์กลาง 19 มม. ที่อีกด้านหนึ่ง ด้านที่มีเส้นผ่าศูนย์กลาง 19 มม. จะมีสัญลักษณ์ "19" และอีกด้านหนึ่งที่มีเส้นผ่าศูนย์กลาง 20 มม. จะมีสัญลักษณ์ "20" ใช้ด้านที่ถูกต้อง

ต้องของเส้นผ่าศูนย์กลางของใบมีดที่คุณต้องการใช้ การติดตั้งใบมีดในด้านที่ไม่ถูกต้องอาจส่งผลให้เกิดการสั่นที่เป็นอันตราย

การใส่ใบเลื่อย (รูป 1-4)

- ใช้คันทิ้งเก็บตัวครอบป้องกันด้านล่าง (k) ดึงตัวครอบป้องกันใบเลื่อยด้านล่าง (i) ถอยกลับ แล้วใส่ใบเลื่อยบนแกนหมุนของเลื่อยให้ชิดแหวนรองที่ยึดอยู่ด้านล่าง (o) เพื่อให้แน่ใจว่าใบเลื่อยจะหมุนในทิศทางที่ต้องการ (ทิศทางการหมุนของลูกศรบนใบเลื่อยและฟันเลื่อยต้องชี้ไปในทิศทางเดียวกันกับทิศทางการหมุนของลูกศรบนเลื่อย) อย่าคิดว่าสัญลักษณ์ที่พิมพ์บนใบเลื่อยจะหันไปหาคุณทุกครั้งเมื่อติดตั้งอย่างเหมาะสมแล้ว เมื่อติดตั้งตัวครอบป้องกันใบเลื่อยด้านล่างถอยกลับเพื่อติดตั้งใบเลื่อย ตรวจสอบสภาพและการทำงานของตัวครอบป้องกันใบเลื่อยด้านล่างเพื่อให้แน่ใจว่าตัวครอบป้องกันทำงานอย่างถูกต้อง ตรวจสอบให้แน่ใจว่าตัวครอบขยับได้อย่างอิสระและไม่สัมผัสกับใบเลื่อยหรือชิ้นส่วนอื่นๆ ในทุกๆ มุมและควมลึกของการตัด
- ใส่แหวนรองที่ยึดด้านนอก (n) บนแกนหมุนของเลื่อย โดยให้ผิวหน้าด้านเรียบขนาดใหญ่อยู่ติดใบเลื่อยและข้อความบนแหวนรองที่ยึดด้านนอกหันไปหาคุณ
- ใส่สกรูยึดใบเลื่อย (j) เข้าในแกนหมุนเลื่อยด้วยมือ (สกรูเป็นชนิดเกลียวขวาและต้องหมุนตามเข็มนาฬิกาเพื่อขันแน่น)
- กดตัวล็อกใบเลื่อย (c) ขณะที่หมุนแกนหมุนเลื่อยด้วยประแจขันใบเลื่อยจนกระทั่งตัวล็อกใบเลื่อยล็อกเข้าและใบเลื่อยหยุดหมุน
- ขันสกรูยึดใบเลื่อยให้แน่นด้วยประแจขันใบเลื่อย

หมายเหตุ: ห้ามล็อกตัวล็อกใบเลื่อยขณะที่เลื่อยกำลังทำงานหรือพยายามล็อกเพื่อหยุดการทำงานของเครื่องมือ ห้ามเปิดเครื่องขณะที่ตัวล็อกใบเลื่อยล็อกอยู่ มิฉะนั้นจะเกิดความเสียหายที่รุนแรงกับเลื่อยของคุณ

การเปลี่ยนใบเลื่อย (รูป 2-4)

- เมื่อต้องการการถอดสกรูยึดใบเลื่อย (j) ให้กดตัวล็อกใบเลื่อย (c) แล้วหมุนแกนหมุนเลื่อยด้วยประแจขันใบเลื่อย (s) จนกระทั่งตัวล็อกใบเลื่อยล็อกเข้าและใบเลื่อยหยุดหมุน ขณะที่ตัวล็อกใบเลื่อยล็อกอยู่ให้หมุนสกรูยึดใบเลื่อยทวนเข็มนาฬิกาด้วยประแจขันใบเลื่อย (สกรูเป็นชนิดเกลียวขวาและต้องหมุนทวนเข็มนาฬิกาเพื่อคลายออก)
- ถอดสกรูยึดใบเลื่อย (j) และแหวนรองที่ยึดด้านนอก (n) ถอดใบเลื่อยเก่าออก

- ทำความสะอาดฝุ่นผงจากการเลื่อยที่อาจสะสมอยู่ในตัวครอบป้องกันหรือบริเวณแหวนรอง และตรวจสอบสภาพและการทำงานของตัวครอบป้องกันใบเลื่อยด้านล่างตามภาพที่แสดงไว้ก่อนหน้านี้ ห้ามใช้สารหล่อลื่นบริเวณนี้
- ใช้ใบเลื่อยที่มีขนาด (เส้นผ่าศูนย์กลาง) ที่ถูกต้องทุกครั้ง และมีรูปทรงที่มีขนาดและรูปร่างที่เหมาะสมสำหรับการติดตั้งบนแกนหมุนเลื่อย ตรวจสอบให้แน่ใจว่าความเร็วสูงสุดที่แนะนำ (rpm) บนใบเลื่อยเท่ากับหรือสูงกว่าความเร็ว (rpm) ของเลื่อยเสมอ
- ปฏิบัติตามขั้นตอนที่ 1 ถึง 5 ในหัวข้อ **การใส่ใบเลื่อย** ตรวจสอบให้แน่ใจว่าใบเลื่อยจะหมุนในทิศทางที่ต้องการ

ตัวครอบป้องกันใบเลื่อยด้านล่าง



คำเตือน: ตัวครอบป้องกันใบเลื่อยด้านล่างเป็นคุณลักษณะความปลอดภัยซึ่งช่วยลดความเสี่ยงที่จะได้รับบาดเจ็บสาหัส ห้ามใช้งานเลื่อยหากตัวครอบป้องกันด้านล่างสูญหาย ชำรุดเสียหาย ประกอบไม่ถูกต้องหรือไม่ทำงานอย่างถูกต้อง อย่าไว้วางใจว่าตัวครอบป้องกันใบเลื่อยด้านล่างจะป้องกันคุณได้ในทุกกรณี ความปลอดภัยของคุณขึ้นอยู่กับคำเตือนและมาตรการป้องกันทั้งหมดดังต่อไปนี้ รวมถึงการใช้งานเลื่อยอย่างถูกต้อง ตรวจสอบตัวครอบป้องกันด้านล่างว่าปิดอย่างเหมาะสมแล้วก่อนใช้งานแต่ละครั้ง ถ้าตัวครอบป้องกันใบเลื่อยด้านล่างหายไปหรือทำงานไม่ถูกต้อง ต้องนำไปซ่อมแซมที่ศูนย์บริการก่อนใช้งาน เพื่อรับประกันความปลอดภัยและความไว้วางใจได้ของผลิตภัณฑ์ การซ่อมแซม การบำรุงรักษาและการปรับตั้งต่างๆ จะต้องดำเนินการโดยศูนย์บริการที่ได้รับอนุญาตหรือศูนย์บริการอื่นๆ ที่ผ่านการรับรองแล้ว โดยใช้ชิ้นส่วนอะไหล่ของแท้เท่านั้น



คำเตือน: ห้ามใช้เลื่อยเมื่อตัวครอบป้องกันด้านล่างเปิดอยู่ด้วยการเพิ่มลิ้ม เชือก แผ่นยาง หรือวัสดุอื่นๆ

การตรวจสอบตัวครอบป้องกันด้านล่าง

- ปิดเครื่องมือและถอดปลั๊ก
- หมุนคันทิ้งเก็บตัวครอบป้องกันด้านล่าง (รูป 1, k) จากตำแหน่งปิดเต็มที่ไปยังตำแหน่งเปิดเต็มที่
- ปล่อยคันทิ้งป้องกันและสังเกตตัวครอบป้องกัน (k) กลับสู่ตำแหน่งปิดเต็มที่

การซ่อมแซมเครื่องมือจะต้องดำเนินการโดยศูนย์บริการที่ผ่านการรับรองแล้ว ถ้าหาก

- ไม่สามารถกลับสู่ตำแหน่งปิดเต็มที่
- เคลื่อนที่เป็นช่วงๆ หรือช้าๆ
- ใบตัดไม่มีสัมผัสกับสวนโคของเครื่องมือในทุกตำแหน่งการทำงาน

ใบเลื่อย



คำเตือน: เพื่อเป็นการลดความเสี่ยงจากการได้รับบาดเจ็บที่ดวงตา ให้ใช้อุปกรณ์ป้องกันดวงตาเสมอ คาร์ไบด์เป็นวัสดุที่แข็งแต่แตกหักง่าย สิ่งแปลกปลอมต่างๆ ในช่วงงาน เช่น ลวดหรือตะปู อาจทำให้ส่วนปลายแตกหักได้ ใช้งานใบเลื่อยเฉพาะเมื่อใส่ตัวครอบป้องกันใบเลื่อยอย่างเหมาะสมเท่านั้น ประกอบใบเลื่อยให้แน่นด้วยการหมุนอย่างเหมาะสมก่อนการใช้งาน และใช้ใบเลื่อยที่สะอาดและคมเสมอ

หากคุณต้องการความช่วยเหลือเกี่ยวกับใบเลื่อย โปรดติดต่อตัวแทนจำหน่ายของ DeWALT ในประเทศของคุณ

การปรับความลึกของการตัด (รูป 5-7)

1. ยกคันปรับความลึก (p) เพื่อคลายออก
2. หากต้องการปรับความลึกของการตัดที่ถูกต้อง ให้ปรับรอยบาก (c) บนแถบปรับความลึกให้ตรงกับเครื่องหมายที่เหมาะสมบนตัวครอบป้องกันใบเลื่อยด้านบน (l)
3. ชันคันปรับความลึกให้แน่น
4. เพื่อให้การตัดด้วยใบเลื่อยหัวคาร์ไบด์มีประสิทธิภาพมากที่สุด ให้ปรับตั้งความลึกให้ฟันเลื่อยยื่นออกมาครึ่งหนึ่งใต้พื้นผิวของไม้ที่จะตัด
5. วิธีการตรวจหาความลึกของการตัดที่ถูกต้องได้แสดงไว้ในรูป 7 วางชิ้นส่วนวัสดุที่คุณวางแผนจะตัดไว้ที่แนวด้านข้างของใบเลื่อยดังที่แสดงในรูป และสังเกตว่าฟันเลื่อยจะยื่นออกมาจากรัศมีมากเพียงใด

การปรับมุมเอียง (รูป 8)

กลไกการปรับมุมเอียง (g) สามารถปรับตั้งได้ระหว่าง 0° ถึง 48° (0° & 55°: DWE565)

1. หมุนปุ่มปรับความเอียง (f) เพื่อคลายออก
2. เอียงแผ่นฐานไปที่เครื่องหมายมุมที่ต้องการบนตัวยึดแกนหมุน (u)
3. หมุนปุ่มปรับความเอียงเพื่อขันให้แน่นอีกครั้ง

ตัวแสดงรอยตัด (รูป 9)

ส่วนหน้าของฐานเลื่อยจะมีตัวแสดงรอยตัด (t) สำหรับการตัดแนวตั้งและแนวเอียง ตัวแสดงนี้ช่วยให้คุณเคลื่อนเลื่อยไปตามแนวตัดที่ลากเส้นไว้บนวัสดุที่กำลังตัด ตัวแสดงนี้อยู่ในแนวเดียวกับทางด้านซ้าย (ด้านใน) ของใบเลื่อย ซึ่งทำให้เกิดช่องหรือ "รอยตัด" จากใบเลื่อยที่เคลื่อนที่ไป ซึ่งวางลงที่ด้านขวาของตัวแสดง รอยบากบนแผ่นฐานจะบอกมุม 0° และ 45°

ชุดป้องกันสายไฟแบบปรับได้ (รูป 10)

ชุดป้องกันสายไฟแบบปรับได้ (v) ทำให้สามารถจัดวางสายไฟในแนวตั้งหรือขนานกับใบเลื่อยได้ การจัดส่งอุปกรณ์นี้จะอยู่ในตำแหน่งแนวตั้ง

การหาคำแหน่งขนาน (รูป 10A)

1. กดชุดป้องกันสายไฟ (v) เข้าตามลูกศรระบุ
2. หมุนชุดป้องกันสายไฟตามเข็มนาฬิกาให้อยู่ในตำแหน่งขนาน

การหาคำแหน่งแนวตั้ง (รูป 10B)

1. กดชุดป้องกันสายไฟ (v) เข้าตามลูกศรระบุ
2. หมุนชุดป้องกันสายไฟทวนเข็มนาฬิกาให้อยู่ในตำแหน่งแนวตั้ง

การติดตั้งและการปรับแก้งกัน (รูป 11)

แก้งกัน (w) ใช้สำหรับการตัดที่ขนานกับขอบของชิ้นงาน

การติดตั้ง

1. ใส่ปุ่มปรับแก้งกัน (x) เข้าในช่อง (aa) ดังที่แสดงในรูป 11 จับปุ่มไว้พอหลวมเพื่อให้แก้งกันเลื่อนผ่านได้
2. ใส่แก้งกัน (w) เข้าในแผ่นฐาน (h) ดังแสดงในรูป 11
3. ชันปุ่มปรับแก้งกัน (x)

การปรับ

1. คลายปุ่มปรับแก้งกัน (x) และปรับแก้งกัน (w) ให้มีความกว้างตามที่ต้องการ ค่าการปรับสามารถอ่านได้จากสเกลของแก้งกัน
2. ชันปุ่มปรับแก้งกัน (x) ให้แน่น

ก่อนการใช้งาน

- ตรวจสอบให้แน่ใจว่าได้ติดตั้งตัวครอบแล้วอย่างถูกต้อง ตัวครอบป้องกันใบเลื่อยต้องอยู่ในตำแหน่งปิด
- ตรวจสอบให้แน่ใจว่าใบเลื่อยหมุนตามทิศทางของลูกศรบนใบเลื่อย

- ห้ามใช้งานใบเลื่อยที่สึกหรอมากเกินไป

การใช้งาน

วิธีการใช้เครื่อง



คำเตือน: ทำตามข้อปฏิบัติเพื่อความปลอดภัย และข้อกำหนดที่ให้เสมอ



คำเตือน: เพื่อลดความเสี่ยงจากการบาดเจ็บ ให้ปิดเครื่องมือและถอดปลั๊กเครื่องมือออกจากแหล่งจ่ายไฟก่อนการประกอบและถอดอุปกรณ์เสริม ก่อนการปรับแต่งหรือเปลี่ยนชุดติดตั้ง หรือขณะทำการซ่อมแซม การผลอบเปิดเครื่องโดยไม่ได้ตั้งใจอาจทำให้เกิดการบาดเจ็บได้

ตำแหน่งการจับที่เหมาะสม (ภาพ 12)



คำเตือน: เพื่อลดความเสี่ยงจากการได้รับบาดเจ็บสาหัส ให้จับเครื่องมือในตำแหน่งที่เหมาะสมดังแสดงในภาพเสมอ



คำเตือน: เพื่อลดความเสี่ยงจากการได้รับบาดเจ็บสาหัส จะต้องจับเครื่องมือให้แน่นทุกครั้ง เพื่อเตรียมรับมือหากเกิดการตอบสนองขึ้นแบบทันทีทันใด

ตำแหน่งของการจับที่ถูกต้องคือ มือหนึ่งอยู่บนมือจับหลัก (b) ขณะที่มืออีกข้างหนึ่งอยู่บนมือจับเสริม (e)

การเปิดและปิดสวิตช์ (ภาพ 1)

กดสวิตช์เปิด/ปิด เพื่อเปิดเครื่อง (a) หากต้องการใช้งานอย่างต่อเนื่อง ให้กดปุ่มล็อค (m) และปล่อยสวิตช์เปิด/ปิด ปิดเครื่องมือโดยการปล่อยสวิตช์เปิด/ปิด หากต้องการหยุดใช้งานอย่างต่อเนื่อง ให้กดสวิตช์เปิด/ปิดอีกครั้ง ปิดสวิตช์เครื่องมือทุกครั้งเมื่อทำงานเสร็จแล้วและก่อนดึงปลั๊กออก

การเปิดและปิดสวิตช์ (สวิตช์นิรภัย) (รูป 1)

หากเลื่อยของคุณติดตั้งสวิตช์นิรภัยเพื่อป้องกันการทำงานโดยไม่ตั้งใจ โปรดปฏิบัติตามคำแนะนำด้านล่าง

กดปุ่มล็อค (OFF) (m) เพื่อเปิดเครื่อง แล้วกดสวิตช์เปิด/ปิด (a) ตามลำดับ ปล่อยปุ่มล็อค (OFF) (m)

ปิดเครื่องมือโดยการปล่อยสวิตช์เปิด/ปิด (a) ปิดสวิตช์เครื่องมือทุกครั้งเมื่อทำงานเสร็จแล้วและก่อนดึงปลั๊กออก

ข้อสังเกต: ห้ามเปิดหรือปิดสวิตช์เครื่องมือเมื่อใบเลื่อยสัมผัสชิ้นงานหรือวัสดุอื่น ๆ

การทวนชิ้นงาน (รูป 13-16)



คำเตือน: เพื่อลดความเสี่ยงที่จะได้รับบาดเจ็บสาหัส ให้ทวนชิ้นงานอย่างเหมาะสมและจับเลื่อยให้แน่นเพื่อป้องกันการสูญเสียการควบคุม

รูป 14 และ 16 แสดงตำแหน่งการเลื่อยที่เหมาะสม รูป 15 และ 17 แสดงสภาพที่ไม่ปลอดภัย รัศมีควมระงังมือให้อยูห่างจากบริเวณที่ตัด และวางสายไฟให้ห่างจากบริเวณที่ตัดเพื่อไม่ให้สายไฟเข้าไปพันหรือเกี่ยวเข้ากับชิ้นงาน

เพื่อป้องกันการติดกลับ ให้ทวนแผ่นไม้หรือแผงชิ้นงานใกล้รอยตัด (รูป 14 และ 16) เสมอ ห้ามทวนแผ่นไม้หรือแผงชิ้นงานห่างจากรอยตัด (รูป 15 และ 17) เมื่อใช้งานเลื่อย พยายามเก็บสายไฟให้ห่างจากบริเวณที่ตัด และป้องกันสายไฟเกี่ยวเข้ากับชิ้นงาน

ถอดปลั๊กของเลื่อยออกทุกครั้งก่อนทำการปรับใดๆ! วางชิ้นงานให้ด้านที่ "ดี" (ด้านที่ถือว่าสำคัญที่สุด) อยู่ด้านล่าง เลื่อยจะตัดขึ้น ดังนั้นรอยแตกบิ่นจะอยู่บนชิ้นงานที่อยู่ด้านบนเมื่อคุณเลื่อย

การตัด



คำเตือน: ห้ามใช้งานเครื่องมือนี้โดยการวางเครื่องมือพลิกกลับด้านลงบนพื้นผิวของงานแล้วเลื่อนวัสดุชิ้นงานเข้าหาเครื่องมือ ให้จับชิ้นงานให้แน่นทุกครั้ง แล้วเลื่อนเครื่องมือเข้าหาชิ้นงาน โดยจับเครื่องมือให้แน่นด้วยมือทั้งสองข้างดังแสดงในรูป 16

วางส่วนที่กว้างกว่าของแผ่นฐานของเลื่อยบนส่วนของชิ้นงานซึ่งได้รับการทวนไว้อย่างมั่นคง ไม่ใช่บนส่วนที่จะหล่นลงเมื่อทำการตัด ดังในตัวอย่าง รูป 16 แสดงวิธีการที่ถูกต้องในการตัดส่วนปลายของแผ่นไม้ จับยึดชิ้นงานทุกครั้ง อย่าพยายามจับชิ้นส่วนที่มีขนาดเล็กด้วยมือ! จำเป็นต้องทวนวัสดุที่มีคนยืนและที่แขวนอยู่ ใช้ความระมัดระวังเมื่อเลื่อยวัสดุจากด้านล่าง

ตรวจสอบให้แน่ใจว่าเลื่อยมีความเร็วสูงสุดก่อนใบเลื่อยจะสัมผัสกับวัสดุที่จะตัด การเริ่มเดินเครื่องขณะที่ใบเลื่อยสัมผัสกับวัสดุที่จะตัดหรือดันใบเลื่อยไปข้างหน้าเข้าหารอยตัดอาจทำให้เกิดการติดกลับได้ ดันเลื่อยไปข้างหน้าด้วยความเร็วที่ทำให้ใบเลื่อยสามารถตัดได้โดยไม่ต้องออกแรงมาก ความแข็งและความเหนียวอาจแตกต่างกันได้แม้ในชิ้นงานเดียวกัน และส่วนที่ขรุขระหรือเป็ยกชิ้นอาจสร้างภาระหนักให้กับเลื่อยได้ เมื่อกรณีนี้เกิดขึ้น ให้ดันเลื่อยช้าลง แต่หนักพอที่จะทำงานต่อไปได้โดยไม่ต้องลดความเร็วลง

มากนัก การออกแรงดันเลื่อยอาจทำให้เกิดรอยตัดที่ขรุขระ ไม่เที่ยงตรง การติดกลับ และมอเตอร์มีความร้อนสูงเกิน ถ้าหากรอยตัดของคุณเริ่มออกนอกแนวตัด อย่าพยายามดันเลื่อยกลับเข้ามา ปลอยสวิตช์และปล่อยให้ใบเลื่อยหยุดสนิท จากนั้นคุณจะสามารถถอนเลื่อยออก เล็งแนวอีกครั้ง แล้วเริ่มการตัดใหม่เล็กน้อยในแนวตัดที่ผิดพลาด ไม่ว่าจะกรณีใดๆ ก็ตาม ให้ถอนเลื่อยออกถ้าคุณต้องย้ายแนวตัด การออกแรงดันเพื่อแก้ไขแนวตัดอาจทำให้เลื่อยดับและทำให้เกิดการติดกลับได้

ถ้าใบเลื่อยดับ ให้ปลอยสวิตช์ และถอยเลื่อยกลับจนรู้ลึกว่าคลายออก ตรวจสอบว่าใบเลื่อยอยู่ในแนวตรงภายในรอยตัด และห่างจากขอบตัดก่อนเริ่มเดินเครื่องใหม่

เมื่อคุณทำการตัดเสร็จแล้ว ให้ปลอยสวิตช์และปล่อยให้ใบเลื่อยหยุดก่อนยกเลื่อยออกจากชิ้นงาน เมื่อคุณยกเลื่อยขึ้น ตัวครอบป้องกันแบบปรับเลื่อนได้ด้วยแรงดึงสปริงจะปิดครอบได้ใบเลื่อยโดยอัตโนมัติ ระวังไว้ว่าใบเลื่อยจะโผล่ออกมาจากวาล์วขึ้นตอนนี้จะเกิดขึ้น ห้ามสอดมือเข้าไปใต้ชิ้นงานไม่ว่าจะด้วยเหตุผลใดๆ เมื่อคุณจำเป็นต้องดึงตัวครอบป้องกันแบบปรับเลื่อนได้ด้วยตัวคุณเอง (เนื่องจากจำเป็นต้องเริ่มการเจาะช่อง) ให้ใช้คัตติ้งเก็บตัวครอบทุกครั้ง

หมายเหตุ: เมื่อตัดแผ่นงานที่บาง ควรใช้ความระมัดระวังเพื่อให้แน่ใจว่าชิ้นงานขนาดเล็กที่ตัดออกจะไม่เกี่ยวเข้ากับด้านในของตัวครอบป้องกันด้านล่าง

การตัดแนวตรง

การตัดแนวตรงเป็นกระบวนการตัดแผ่นไม้ที่กว้างกว่าไปหาแผ่นที่แคบกว่า โดยการติดตามความยาวของลายไม้ การจับชิ้นงานด้วยมือเป็นสิ่งที่ยากมากขึ้นสำหรับการเลื่อยชนิดนี้ และขอแนะนำให้ใช้แผงกัน DEWALT (รูป 11, w)

การเจาะช่อง (รูป 17)



คำเตือน: ห้ามผูกตัวครอบใบเลื่อยไว้ในตำแหน่งยกเปิดโดยเด็ดขาด ห้ามดึงเลื่อยถอยหลังขณะทำการเจาะช่อง มิฉะนั้นอาจทำให้เครื่องยกขึ้นหลุดออกจากพื้นผิวของงานและทำให้เกิดการบาดเจ็บได้

การเจาะช่องเป็นวิธีการหนึ่งที่ใช้กับพื้น ผนัง หรือพื้นผิวอื่น ๆ ที่เรียบ

1. ปรับแผ่นฐานของเลื่อยเพื่อให้ใบเลื่อยตัดตามความลึกที่ต้องการ
2. เียงเลื่อยไปด้านหน้าและวางแผ่นฐานเลื่อยด้านหน้าลงบนชิ้นงานที่จะตัด

3. ใช้คัตติ้งเก็บตัวครอบป้องกันด้านล่าง ดึงตัวครอบป้องกันใบเลื่อยด้านล่างกลับขึ้นมาที่ตำแหน่งด้านบนลดส่วนหลังของแผ่นฐานลงจนกระทั่งพื้นเลื่อยเกือบสัมผัสแนวตัด
4. ปลอยตัวครอบป้องกันใบเลื่อย (การสัมผัสกับชิ้นงานจะช่วยรักษาเลื่อยให้อยู่ในตำแหน่งเพื่อเปิดออกอย่างอิสระเมื่อคุณเริ่มการตัด) ปลอยมือจากคัตติ้งเก็บตัวครอบป้องกัน แล้วจับมือจับเสริม (e) ให้แน่นดังแสดงในภาพ 18 ให้ลำตัวและแขนของคุณอยู่ในท่าที่พร้อมจะรับแรงต้านจากการติดกลับหากสิ่งนี้เกิดขึ้น
5. ตรวจสอบให้แน่ใจว่าใบเลื่อยไม่สัมผัสกับพื้นผิวการตัดก่อนเริ่มเดินเครื่อง
6. เริ่มการทำงานของมอเตอร์และค่อยๆ ลดเลื่อยลงจนกระทั่งแผ่นฐานวางแนบบนวัสดุที่จะตัด เลื่อนเลื่อยไปตามแนวตัดจนกระทั่งการตัดเสร็จสมบูรณ์
7. ปลอยสวิตช์และปล่อยให้ใบเลื่อยหยุดสนิทก่อนถอนใบเลื่อยออกจากวัสดุชิ้นงาน
8. เมื่อเริ่มการตัดใหม่ทุกครั้ง ให้ทำขั้นตอนด้านบนซ้ำอีกครั้ง

การบำรุงรักษา

เครื่องมือไฟฟ้า DEWALT ออกแบบมาเพื่อให้สามารถใช้งานได้อย่างยาวนานต่อเนื่องด้วยการบำรุงรักษาน้อยที่สุด การทำงานที่สร้างความพึงพอใจอย่างต่อเนื่องจะขึ้นอยู่กับการดูแลรักษาที่เหมาะสมและการทำความสะอาดอย่างสม่ำเสมอ



คำเตือน: เพื่อลดความเสี่ยงจากการบาดเจ็บให้ปิดเครื่องมือและถอดปลั๊กเครื่องมือออกจากแหล่งจ่ายไฟก่อนการประกอบและถอดอุปกรณ์เสริม ก่อนการปรับแต่งหรือเปลี่ยนชุดตัดตัด หรือขณะทำการซ่อมแซม การเผลอเปิดเครื่องโดยไม่ตั้งใจอาจทำให้เกิดการบาดเจ็บได้



การหล่อลื่น

เครื่องมือนี้ใช้ดัลลุ่มบินเม็ดกลมและแบบลูกกลิ้งที่หล่อลื่นในตัวเอง ดังนั้นจึงไม่จำเป็นต้องเติมสารหล่อลื่น อย่างไรก็ตามขอแนะนำว่า คุณควรนำเครื่องมือหรือส่งเครื่องมือไปที่ศูนย์บริการเพื่อการทำความสะอาดอย่างทั่วถึง ทำการตรวจสอบสภาพ และการหล่อลื่นเพื่อป้องกัน



การทำความปลอดภัย



คำเตือน: เป่าสิ่งสกปรกและฝุ่นละอองที่สะสมออกจากตัวเครื่องและบริเวณตัวครอบป้องกันเป็นประจำด้วยลมแห้ง เนื่องจากสิ่งสกปรกมักสะสมอยู่ภายในและรอบๆ ช่องระบายอากาศ สวมอุปกรณ์ป้องกันดวงตาและหน้ากากกันฝุ่นที่ได้มาตรฐานในขณะที่ดำเนินการขั้นตอนนี้

ตัวครอบป้องกันด้านล่าง

ตัวครอบป้องกันด้านล่างควรจะหมุนและปิดได้อย่างอิสระ ทุกครั้งจากตำแหน่งเปิดเต็มที่ไปยังตำแหน่งปิดเต็มที่ ตรวจสอบว่ามีการทำงานที่ถูกต้องทุกครั้งก่อนการตัด โดยการเปิดตัวครอบป้องกันออกเต็มที่และทำการปิด ถ้าตัวครอบปิดช้าหรือปิดไม่สนิท แสดงว่าจะต้องทำความสะอาดหรือนำไปซ่อม ห้ามใช้เลยจนกว่าจะทำงานอย่างถูกต้อง การทำความสะอาดตัวครอบ ให้ใช้ลมแห้งหรือแปรงขนอ่อนเพื่อขจัดฝุ่นจากการเสียดสีที่สะสมอยู่หรือเศษวัสดุออกจากเส้นทางของตัวครอบ และจากรอบๆ สบรีงของตัวครอบ หากวิธีนี้ไม่สามารถแก้ไขปัญหาคได้ จะต้องดำเนินการซ่อมแซมโดยศูนย์บริการที่ได้รับอนุญาต



คำเตือน: ห้ามใช้สารที่เป็นตัวทำละลายหรือสารเคมีที่มีฤทธิ์กัดกร่อนรุนแรงอื่นๆ ทำความสะอาดชิ้นส่วนของเครื่องมือที่ใช้โซลเวนท์เหล่านี้ อาจส่งผลต่อวัสดุที่ใช้ในชิ้นส่วนเหล่านี้ ใช้เฉพาะผ้าชุบน้ำสบู่อ่อนๆ เท่านั้น อย่าให้มีของเหลวค้างอยู่ในเครื่อง ห้ามจุ่มส่วนใดๆ ของเครื่องมือลงในของเหลว

ใบเลื่อย

ใบเลื่อยที่จะทำการตัดไม่มีประสิทธิภาพ มอเตอร์ของเลื่อยรับภาระหนักเกินไป รอยแตกบิ่นมากเกินไป และมีโอกาสติดกลับเพิ่มขึ้น ให้เปลี่ยนใบเลื่อยเมื่อไม่สามารถตัดใบเลื่อยผ่านรอยตัดได้ง่ายอีกต่อไป เมื่อมอเตอร์ทำงานช้าหรือเมื่อใบเลื่อยมีความร้อนสูงเกิน ขอแนะนำให้เตรียมใบเลื่อยอีกอันไว้เพื่อให้มีใบเลื่อยที่คมพร้อมใช้งานได้ทันที โดยส่วนใหญ่ใบเลื่อยที่ท้อสามารถลับให้คมได้

ยางไม้ที่ติดแข็งบนใบเลื่อยสามารถขจัดออกได้ด้วยน้ำมันก๊าด น้ำมันสน หรือน้ำยาทำความสะอาดเตา ใบเลื่อยที่เคลือบป้องกันการติดสามารถใช้ในการทำงานในบริเวณที่มีการ

สะสมยางไม้มากเกินไป เช่น มีการใช้แรงดันและทอนไม้สด

อุปกรณ์เสริม



คำเตือน: เนื่องจากอุปกรณ์เสริมอื่นนอกเหนือจากที่ DEWALT มีจำหน่าย ไม่ได้ผ่านการทดสอบร่วมกับผลิตภัณฑ์นี้ จึงอาจเป็นอันตรายหากใช้อุปกรณ์เสริมดังกล่าวร่วมกับเครื่องมือนี้ ดังนั้น เพื่อเป็นการลดความเสี่ยงจากการได้รับบาดเจ็บ ให้ใช้อุปกรณ์เสริมเฉพาะที่ DEWALT แนะนำให้ใช้ร่วมกับผลิตภัณฑ์นี้เท่านั้น

ห้ามใช้อุปกรณ์ต่อพ่วงสำหรับจ่ายน้ำกับเสี้ยนนี้ ตรวจสอบใบเลื่อยคาร์ไบด์ด้วยสายตาก่อนการใช้งาน หากชำรุดเสียหายให้เปลี่ยนใหม่ โปรดติดต่อตัวแทนจำหน่ายหากต้องการข้อมูลเพิ่มเติมเกี่ยวกับอุปกรณ์เสริมที่เหมาะสม

การปกป้องสิ่งแวดล้อม



การเก็บรวบรวมแบบคัดแยก ห้ามทิ้งผลิตภัณฑ์นี้ร่วมกับขยะในครัวเรือนปกติ

หากวันหนึ่งคุณพบว่า จำเป็นต้องเปลี่ยนผลิตภัณฑ์ DEWALT ของคุณ หรือถ้าเครื่องมือนี้ไม่เป็นประโยชน์สำหรับคุณอีกต่อไป อย่ทิ้งผลิตภัณฑ์นี้ร่วมกับขยะในครัวเรือน จัดการกับผลิตภัณฑ์นี้เพื่อการเก็บรวบรวมแบบคัดแยก



การเก็บรวบรวมแบบคัดแยกสำหรับบรรจุภัณฑ์และผลิตภัณฑ์ที่ใช้แล้วทำให้สามารถรีไซเคิลวัสดุและนำมาใช้งานได้อีกครั้ง การนำวัสดุรีไซเคิลมาใช้ใหม่จะช่วยป้องกันมลพิษต่อสิ่งแวดล้อมและลดความต้องการวัตถุดิบ

ตามกฎระเบียบท้องถิ่นอาจมีการจัดเตรียมสถานที่สำหรับการเก็บรวบรวมแบบคัดแยกอุปกรณ์ไฟฟ้าที่ใช้ภายในครัวเรือนไว้ ณ แหล่งรับขยะของเทศบาล หรืออาจมีการรับอุปกรณ์ใช้แล้วจากผู้ค้าปลีกในกรณีที่คุณซื้อผลิตภัณฑ์ชิ้นใหม่ DEWALT พร้อมให้ความสะดวกในการเก็บรวบรวมและรีไซเคิลผลิตภัณฑ์ DEWALT เมื่อผลิตภัณฑ์เหล่านั้นหมดอายุการใช้งาน หากต้องการบริการดังกล่าวจากเรา โปรดส่งผลิตภัณฑ์ของคุณคืนศูนย์บริการที่ได้รับอนุญาตซึ่งจะทำหน้าที่เป็นตัวแทนของเราในการเก็บรวบรวมผลิตภัณฑ์

คุณสามารถตรวจเช็คศูนย์บริการใกล้บ้านที่ได้รับอนุญาต โดยติดต่อไปที่สำนักงาน DEWALT ประจำพื้นที่ ตามที่อยู่ ที่ไว้ในคู่มือเล่มนี้ หรือ คุณอาจตรวจเช็ครายชื่อศูนย์บริการ DEWALT ที่ได้รับอนุญาต รวมทั้งรายละเอียดต่างๆ ของบริการหลังการขายได้ทางอินเทอร์เน็ต ที่:

www.2helpU.com

184 mm (7-1/4") GERGAJI BUNDAR, DWE561, DWE565

Selamat!

Anda telah memilih sebuah perkakas DEWALT. Pengalaman bertahun-tahun, pengembangan produk secara menyeluruh, serta inovasi telah membuat DEWALT menjadi salah satu mitra paling andal bagi para pengguna perkakas listrik profesional.

Data Teknis

		DWE561	DWE565
Voltase	V	220-240	220-240
Tipe		1	1
Input daya	W	1200	1250
Kecepatan tanpa beban	min ⁻¹	5500	5500
Diameter luar bilah gergaji	mm	184	184
Kedalaman potong maksimum pada	90°	mm 65	65
	45°	mm 42	42
Diameter dalam bilah gergaji	mm	20	20
Penyesuaian sudut siku		48°	55°
Berat	kg	3.60	3.70

Definisi: Pedoman Keselamatan

Definisi di bawah ini menjelaskan tingkat keparahan untuk setiap kata sinyal. Harap baca buku petunjuk dan perhatikan simbol-simbol ini.



BAHAYA: Menunjukkan adanya situasi berbahaya yang, jika tidak dihindari, akan mengakibatkan **kematian atau cedera serius**.



PERINGATAN: Mengindikasikan situasi berbahaya potensial, yang jika tidak dihindari, dapat mengakibatkan **kematian atau cedera berat**.



PERHATIAN: Mengindikasikan potensi situasi berbahaya yang, jika tidak dihindari, mungkin mengakibatkan **cedera ringan atau sedang**.

PEMBERITAHUAN: Mengindikasikan suatu praktik yang **tidak berhubungan dengan cedera diri** yang, jika tidak dihindari, mungkin mengakibatkan **kerusakan barang**.



Menunjukkan risiko sengatan listrik.



Menunjukkan risiko kebakaran.



PERINGATAN: Untuk mengurangi risiko cedera, bacalah buku petunjuk.

Peringatan Keselamatan Perkakas Listrik Umum



PERINGATAN! Baca seluruh peringatan keselamatan dan seluruh petunjuk. Kelalaian dalam mengikuti peringatan dan petunjuk yang ada dapat mengakibatkan sengatan listrik, kebakaran, dan/atau cedera serius.

SIMPAN SEMUA PERINGATAN DAN PETUNJUK UNTUK REFERENSI DI MASA MENDATANG

Istilah “perkakas listrik” dalam peringatan mengacu pada perkakas listrik milik Anda yang dioperasikan dengan listrik (berkabel) atau perkakas listrik yang dioperasikan dengan baterai (nirkabel).

1) KESELAMATAN AREA KERJA

- Pastikan agar area kerja tetap bersih dan terang.** Area kerja yang berantakan atau gelap akan mengakibatkan kecelakaan.
- Jangan operasikan perkakas listrik ini di lingkungan yang mudah menimbulkan bahaya ledakan, seperti di tempat yang terdapat cairan, gas, atau debu mudah terbakar.** Perkakas listrik ini menimbulkan percikan api yang dapat membakar debu atau uap.
- Jauhkan anak-anak dan orang-orang sekitar saat mengoperasikan perkakas listrik.** Gangguan dapat menyebabkan Anda kehilangan kendali.

2) KESELAMATAN KELISTRIKAN

- Steker perkakas listrik harus sesuai dengan stopkontak.** Jangan pernah memodifikasi steker dengan cara apa pun. Jangan gunakan steker adaptor apa pun dengan perkakas listrik yang dibumikan (ground). Steker yang tidak dimodifikasi dan stopkontak yang sesuai akan mengurangi risiko sengatan listrik.
- Hindari kontak badan dengan permukaan yang dibumikan, seperti pipa, radiator, kompor, dan kulkas.** Risiko sengatan listrik dapat bertambah jika tubuh Anda mengenai permukaan yang dibumikan.
- Jangan sampai perkakas listrik ini terkena hujan atau terpapar oleh kondisi yang basah.** Air yang masuk ke perkakas listrik akan meningkatkan risiko sengatan listrik.

- d) **Jangan salah gunakan kabel. Jangan pernah menggunakan kabel untuk membawa, menarik, atau mencabut perkakas listrik. Jauhkan kabel dari panas, minyak, tepian tajam, atau komponen yang bergerak.** Kabel rusak atau terbelit meningkatkan risiko sengatan listrik.
- e) **Bila mengoperasikan perkakas listrik di luar ruangan, gunakan kabel sambungan yang sesuai untuk penggunaan di luar ruangan.** Menggunakan kabel yang sesuai untuk penggunaan di luar ruangan akan mengurangi risiko sengatan listrik.
- f) **Jika terpaksa mengoperasikan perkakas listrik di lokasi lembap, gunakan catu daya yang dilindungi pemutus sirkit arus sisa (RCD).** Penggunaan RCD mengurangi risiko sengatan listrik.
- f) **Kenakan pakaian yang sesuai. Jangan mengenakan pakaian longgar atau perhiasan. Jauhkan rambut, pakaian, dan sarung tangan dari komponen yang bergerak.** Pakaian yang longgar, perhiasan, atau rambut panjang dapat terperangkap dalam komponen yang bergerak.
- g) **Jika disediakan perangkat untuk sambungan fasilitas pengeluaran dan pengumpulan debu, pastikan perangkat ini disambungkan dan digunakan dengan sesuai.** Penggunaan perangkat pengumpulan debu dapat mengurangi bahaya terkait debu.

4) PENGGUNAAN DAN PEMELIHARAAN PERKAKAS LISTRIK

3) KESELAMATAN DIRI

- a) **Tetap waspada, perhatikan apa yang Anda lakukan dan gunakan logika saat mengoperasikan perkakas listrik. Jangan mengoperasikan perkakas listrik bila Anda sedang lelah, atau berada di bawah pengaruh obat, alkohol, atau pengobatan.** Kelengahan sesaat saja ketika mengoperasikan perkakas listrik dapat menyebabkan cedera diri yang parah.
- b) **Gunakan alat pelindung diri. Selalu kenakan alat pelindung mata.** Perlengkapan pelindung, seperti masker debu, sepatu pengaman anti selip, helm pengaman, atau alat pelindung pendengaran yang digunakan dalam kondisi yang sesuai akan mengurangi cedera diri.
- c) **Cegah pengaktifan secara tidak sengaja. Pastikan bahwa saklar sudah dalam posisi mati sebelum menghubungkannya ke sumber listrik dan/atau kemasan baterai, mengambil, atau membawa perkakas.** Membawa perkakas listrik dengan jari Anda pada tombol, atau menyambungkan perkakas listrik ke stopkontak dengan tombol pada posisi hidup akan mengakibatkan kecelakaan.
- d) **Lepaskan semua kunci setelan atau kunci pas sebelum menghidupkan perkakas listrik.** Kunci pas atau kunci setelan yang dibiarkan terpasang pada komponen perkakas listrik yang berputar dapat mengakibatkan cedera diri.
- e) **Jangan gunakan perkakas listrik untuk menjangkau terlalu jauh. Selalu jaga pijakan dan keseimbangan yang baik.** Hal ini memungkinkan Anda untuk mengendalikan perkakas listrik dengan lebih baik dalam situasi yang tidak terduga.
- a) **Jangan gunakan perkakas listrik dengan paksa. Gunakan perkakas listrik yang benar untuk aplikasi Anda.** Perkakas listrik yang benar akan bekerja lebih baik dan lebih aman pada nilai spesifikasi yang telah dirancang untuk perkakas tersebut.
- b) **Jangan gunakan perkakas listrik ini jika tombolnya tidak dapat menghidupkan dan mematikan perkakas.** Perkakas listrik apa pun yang tidak dapat dikendalikan dengan tombol adalah berbahaya dan harus diperbaiki.
- c) **Lepaskan steker dari sumber listrik dan/ atau unit baterai sebelum melakukan penyetelan, mengganti aksesoris, atau menyimpan perkakas listrik.** Tindakan pencegahan untuk keselamatan tersebut mengurangi risiko pengaktifan perkakas listrik secara tidak sengaja.
- d) **Simpan perkakas listrik yang tidak digunakan jauh dari jangkauan anak-anak, dan jangan bolehkan orang yang tidak memahami perkakas listrik atau petunjuk ini untuk mengoperasikannya.** Perkakas listrik akan berbahaya bila digunakan oleh pengguna yang tidak terlatih.
- e) **Rawatlah perkakas listrik. Lakukan pemeriksaan untuk mengetahui apakah ada komponen bergerak yang tidak sejajar atau bengkok, komponen yang patah, dan kondisi lainnya yang dapat mempengaruhi pengoperasian perkakas listrik. Jika rusak, perbaiki dahulu perkakas listrik sebelum digunakan.** Banyak terjadi kecelakaan akibat perkakas listrik yang tidak dirawat dengan baik.
- f) **Jaga ketajaman dan kebersihan perkakas pemotong.** Alat pemotong yang dirawat baik dengan tepi pemotongan yang tajam akan kecil kemungkinannya menjadi macet dan lebih mudah dikendalikan.
- g) **Gunakan perkakas listrik, aksesoris, mata alat, dsb., sesuai dengan petunjuk ini**

dengan mempertimbangkan kondisi kerja dan pekerjaan yang akan dilakukan. Pengoperasian perkakas listrik yang berbeda dari tujuan penggunaan yang dimaksudkan dapat mengakibatkan situasi berbahaya.

5) SERVIS

- a) **Perkakas listrik sebaiknya diservis oleh teknisi yang mahir dan hanya menggunakan komponen pengganti yang persis sama.** Ini akan menjamin keselamatan perkakas terpelihara.

ATURAN KESELAMATAN TAMBAHAN KHUSUS UNTUK GERGAJI BUNDAR**Petunjuk Keselamatan untuk Semua Jenis Gergaji**

- a) **⚠ BAHAYA: Jauhkan kedua tangan dari area pemotongan dan bilah gergaji. Gunakan tangan Anda yang lain untuk memegang pegangan tambahan, atau wadah mesin.** Kedua tangan Anda tidak akan terpotong oleh bilah gergaji jika keduanya memegang perkakas tersebut.
- b) **Jangan menggapai apa pun yang berada di bawah benda kerja.** Tudung pengamannya tak dapat melindungi Anda dari bilah gergaji di area di bawah benda kerja.
- c) **Sesuaikan kedalaman potong dengan ketebalan benda kerja.** Gerigi bilah gergaji yang terlihat di bawah benda kerja harus kurang dari satu gerigi penuh.
- d) **Jangan pernah memegang benda yang sedang potong dengan tangan Anda atau meletakkannya di atas kaki Anda. Mantapkan posisi benda kerja di atas permukaan yang stabil.** Menyangga material kerja dengan benar itu penting, untuk meminimalkan paparan tubuh, macetnya pisau, atau hilangnya kendali.
- e) **Pegang perkakas listrik pada bagian yang berpermukaan isolator bila perkakas tersebut berpermukaan bersentuhan dengan kabel tersembunyi saat pengoperasian.** Bersentuhan dengan kabel "bermuatan listrik" juga akan ikut membuat bagian-bagian perkakas listrik yang terbuat dari metal menjadi "bermuatan listrik" sehingga dapat menyengat operator.
- f) **Bila membelah kayu, gunakan selalu pembatas belah atau pemandu berpinggiran lurus.** Ini akan meningkatkan akurasi potongan serta mengurangi potensi terjadinya pembengkakan bilah gergaji.
- g) **Gunakan selalu bilah gergaji dengan ukuran dan bentuk lubang penyangga (wajik atau**

bulat) yang tepat. Bilah gergaji yang tidak sesuai dengan perangkat pemasang pada gergaji akan beroperasi secara tidak beraturan, mengakibatkan hilangnya kontrol.

- h) **Jangan pernah gunakan ring atau sekrup bilah gergaji yang salah atau sudah rusak.** Ring dan sekrup bilah gergaji telah didesain secara khusus untuk gergaji Anda guna mendapatkan performa optimal dan keamanan pengoperasian.

Penyebab dan Cara Operator Mencegah Hentakan Balik

- Hentakan balik adalah gaya reaksi tiba-tiba akibat bilah gergaji yang terjepit, tertahan, atau posisinya miring, yang menyebabkan gergaji terhentak ke atas tak terkendali dan terpental keluar benda kerja ke arah operator;
- Apabila bilah gergaji terjepit atau macet akibat terhentinya alur potong, maka bilah gergaji akan melambat drastis sehingga reaksi motor akan menghentakkan perkakas ke arah operator;
- Jika bilah gergaji menjadi terpelintir atau miring dalam alur potong, gerigi di ujung belakang bilah gergaji bisa menembus ke permukaan atas kayu dan mengakibatkan bilah tersebut meluncur ke luar alur potong dan terpental ke arah operator.

Hentakan balik adalah akibat dari prosedur pengoperasian atau kondisi yang tidak tepat dan/atau penggunaan gergaji yang salah, namun dapat dihindari dengan melakukan langkah-langkah pencegahan seperti dijelaskan di bawah ini:

- a) **Pastikan Anda memegang dan memosisikan kedua tangan Anda pada gergaji guna menahan gaya hentakan balik. Posisikan tubuh Anda pada salah satu sisi, namun jangan sejajar dengan bilah gergaji.** Hentakan balik dapat mengakibatkan gergaji terpental ke belakang, namun gaya hentakan balik dapat dikendalikan oleh operator jika melakukan langkah-langkah pencegahan yang benar.
- b) **Jika bilah gergaji terjepit, atau bila pemotongan harus dihentikan untuk alasan apa pun, lepaskan pemicu dan tahan gergaji agar tidak bergerak di dalam benda kerja hingga bilahnya berhenti total. Jangan pernah berusaha melepaskan gergaji dari benda kerja atau menarik gergaji ke belakang selagi pisau masih bergerak karena hal itu dapat menyebabkan terjadinya hentakan balik.** Periksa dan lakukan tindakan penanganan guna mencegah penyebab terjepitnya bilah gergaji.
- c) **Bila menyalakan ulang gergaji dalam benda kerja, posisikan bilah gergaji di tengah-**

tengah alur potong serta periksa agar gerigi gergaji tidak bersentuhan dengan benda kerja. Jika bilah gergaji terjepit, bilah tersebut dapat bergerak ke atas atau menghentak balik dari benda kerja saat gergaji dinyalakan kembali.

- d) **Gunakan penyangga untuk papan berukuran besar guna meminimalkan risiko terjepitnya bilah gergaji dan hentakan balik.** Papan berukuran besar cenderung melorot karena bobotnya sendiri. Penyangga harus diletakkan di bawah papan pada kedua sisinya, di dekat alur potong dan ujung kayu tersebut.
- e) **Jangan gunakan bilah gergaji yang tumpul atau rusak.** Bilah gergaji yang tidak terasah atau tidak terpasang dengan benar akan menghasilkan alur potong yang sempit dan dapat mengakibatkan gesekan berlebihan, terjepitnya bilah gergaji, maupun hentakan balik.
- f) **Kedalaman bilah gergaji dan penyetel pengunci siku harus rapat dan kencang sebelum melakukan pemotongan.** Setelan bilah gergaji yang berubah saat melakukan pemotongan dapat mengakibatkan terjepitnya bilah maupun hentakan balik.
- g) **Anda harus lebih berhati-hati saat melakukan “potongan tengah” pada dinding atau bidang-bidang lain yang tak terlihat.** Bilah gergaji yang mencuat dapat memotong benda yang dapat mengakibatkan hentakan balik.

Petunjuk Keselamatan Tudung Pengaman Bawah

- a) **Pastikan tudung pengaman bawah sudah menutup rapat dengan benar sebelum penggunaan.** Jangan operasikan gergaji jika tudung pengaman bawah tidak dapat bergerak bebas dan langsung menutup. Jangan pernah mengganjal atau mengikat tudung pengaman bawah ke posisi terbuka. Jika gergaji jatuh secara tak sengaja, tudung pengaman bawah bisa bengkok. Angkat tudung pengaman bawah dengan gagang tarikannya dan tudung pengaman bawah tersebut dapat bergerak bebas dan tidak menyentuh bilah gergaji atau komponen lain pada semua sudut dan kedalaman pemotongan.
- b) **Periksa operasi per tudung pengaman bawah. Jika tudung pengaman dan per tidak bekerja dengan benar, kedua komponen itu harus diservis sebelum digunakan.** Gerakan tudung pengaman bawah dapat menjadi lambat akibat komponennya yang rusak, endapan lengket atau serpihan yang menimbun.
- c) **Tudung pengaman bawah hanya boleh dilepas secara manual saat melakukan**

pemotongan-pemotongan khusus, seperti “potongan tengah” maupun “potongan ganda.” **Angkat tudung pengaman bawah dengan gagang tarikannya dan begitu bilah gergaji masuk ke benda kerja, tudung pengaman bawah tersebut harus dilepaskan.** Untuk jenis-jenis penggergajian lain, tudung pengaman bawah harus beroperasi secara otomatis.

- d) **Perhatikan selalu agar tudung pengaman bawah sudah menutupi bilah gergaji sebelum Anda meletakkan gergaji di atas bangku atau lantai.** Bilah gergaji yang masih berputar dan tak terlindungi akan mengakibatkan gergaji bergerak mundur dan memotong apa pun yang dilewatinya. Cermatilah berapa lama waktu yang dibutuhkan bilah gergaji untuk berhenti total setelah sakelar dilepas.

Petunjuk Keselamatan Tambahan untuk Gergaji Bundar

- **Kenakanlah pelindung telinga.** Kebisingan yang terus-menerus dapat mengakibatkan kehilangan pendengaran.
- **Kenakanlah masker debu.** Menghirup partikel debu secara terus-menerus dapat mengakibatkan kesulitan bernapas dan risiko cedera.
- **Jangan menggunakan bilah gergaji yang berdiameter lebih besar atau lebih kecil dari yang dianjurkan.** Untuk klasifikasi bilah gergaji yang tepat silakan lihat data teknis. Gunakan hanya bilah gergaji yang ditentukan dalam manual ini, sesuai dengan EN 847-1.
- **Jangan pernah menggunakan roda gerinda dan roda wajik.** Jangan memotong beton, batu bata, baja, atau material yang dibuat menggunakan tangan lainnya.
- **Jangan menggunakan sambungan pengumpuan air.**
- **Gunakan penjepit atau cara praktis lain untuk mengencangkan dan menyangga benda kerja di permukaan yang stabil.** Memegang benda kerja dengan tangan atau menyandarkannya pada tubuh Anda akan membuat benda kerja tersebut menjadi tidak stabil dan dapat mengakibatkan kehilangan kendali.
- **Jangan menggunakan gergaji ini sebagai gergaji meja.**

Risiko-risiko Lain

Risiko-risiko berikut ini berhubungan dengan penggunaan gergaji bundar.

- Cedera akibat menyentuh komponen perkakas yang berputar atau bersuhu panas.

Meskipun peraturan keselamatan yang relevan telah diterapkan dan perangkat keselamatan telah digunakan, sejumlah risiko-risiko lain tidak dapat dihindari. Ini meliputi:

- Gangguan pendengaran.
- Risiko terjepitnya jari saat mengganti aksesoris.
- Ancaman kesehatan akibat menghirup debu yang dihasilkan saat bekerja dengan kayu.

Tanda-tanda pada Perkakas

Sejumlah pictogram berikut ini dapat dilihat pada perkakas:



Baca buku petunjuk sebelum penggunaan.

POSISI KODE TANGGAL (GBR. 1)

Kode tanggal (z), yang juga mencantumkan tahun produksi, tercetak pada badan perkakas.

Contoh:

2011 XX XX

Tahun Produksi

Konten Kemasan

Kemasan berisi:

- 1 Gergaji bundar 184 mm (7-1/4") (DWE561) atau
 - 1 Gergaji bundar 184 mm (7-1/4") (DWE565)
 - 1 Bilah gergaji bundar
 - 1 Kunci pas bilah gergaji
 - 1 Pembatas paralel
 - 1 Buku petunjuk
- Periksa kerusakan pada perkakas, komponen atau aksesorinya yang mungkin terjadi selama pengiriman.
 - Luangkan waktu untuk membaca dan memahami buku petunjuk ini dengan cermat sebelum pengoperasian.

Penjelasan (Gbr. 1)



PERINGATAN: Jangan pernah memodifikasi perkakas listrik atau komponennya. Ini dapat mengakibatkan kerusakan atau cedera diri.

- a. Sakelar picu
- b. Pegangan utama
- c. Pengunci bilah gergaji
- d. Penutup ujung
- e. Pegangan tambahan (Dijual secara terpisah di wilayah-wilayah tertentu)
- f. Kenop penyesuaian siku
- g. Mekanisme penyesuaian sudut siku
- h. Pelat dasar
 - i. Tudung pengaman bilah bawah
 - j. Sekrup penjepit bilah gergaji
 - k. Tuas tudung pengaman bawah
 - l. Tudung pengaman bilah atas
- m. Tombol pengunci (Tombol penyalat untuk daerah-daerah tertentu)

TUJUAN PENGGUNAAN

Gergaji bundar berdaya kerja tinggi ini didesain untuk aplikasi pemotongan kayu profesional. **JANGAN** menggunakan sambungan pengumpan air dengan gergaji ini. **JANGAN** menggunakan bilah gergaji yang tumpul atau rusak. **JANGAN** menggunakan perkakas dalam kondisi basah atau di dekat cairan atau gas yang mudah terbakar. Jangan gunakan roda wajik.

Gergaji berdaya kerja tinggi ini adalah perkakas listrik profesional. **JANGAN** biarkan anak-anak menjangkau perkakas ini. Dibutuhkan pengawasan bila perkakas ini digunakan oleh operator yang belum berpengalaman.

- Produk ini tidak untuk digunakan oleh mereka (termasuk anak-anak) yang menderita kekurangan kemampuan fisik, sensorik atau mental; kurang berpengalaman, pengetahuan atau keahlian, kecuali bila apabila mereka diawasi oleh seseorang yang dapat bertanggung jawab atas keselamatan mereka. Jangan pernah meninggalkan anak-anak sendirian dengan produk ini.

Keselamatan Kelistrikan



Perkakas ini memiliki insulator ganda sehingga tidak membutuhkan kabel bumi. Periksa selalu agar catu daya sesuai dengan voltase yang tertera pada pelat klasifikasi.



PERINGATAN: Unit bertegangan 115 V harus dioperasikan melalui trafo isolator berpengaman tinggi dengan sebuah pembatas bumi antara komponen pemutar primer dan sekundernya.

Kabel listrik yang rusak harus diganti dengan kabel yang dibuat secara khusus dan tersedia melalui pusat servis DEWALT.

Menggunakan Kabel Ekstensi

Jika kabel ekstensi diperlukan, gunakanlah kabel ekstensi 3 inti yang diakui dan sesuai untuk input daya perkasas ini. Ukuran konduktor minimum yang diizinkan adalah 1,5 mm²; panjang maksimumnya adalah 30 m.

Bila menggunakan rol kabel, gulung selalu kabel tersebut seluruhnya.

PERAKITAN DAN PENYESUAIAN



PERINGATAN: Untuk mengurangi risiko cedera, matikan unit dan lepaskan mesin dari sumber listrik sebelum memasang dan melepaskan aksesoris, sebelum menyesuaikan atau mengubah pengaturan, maupun saat melakukan perbaikan. Pengaktifan perkakas secara tidak sengaja dapat mengakibatkan cedera.

Mengganti Bilah Gergaji



WASPADA: Pinggiran roda dalam memiliki diameter 20 mm pada satu sisi dan diameter 19 mm pada sisi lainnya. Sisi yang berdiameter 19 mm ditandai dengan "19", dan sisi lain yang berdiameter 20 mm ditandai dengan "20". Gunakan sisi yang tepat untuk diameter lubang bilah yang hendak Anda gunakan. Memasang bilah pada sisi yang salah dapat mengakibatkan getaran berbahaya.

CARA MEMASANG BILAH GERGAJI (GBR. 1–4)

1. Dengan menggunakan tuas tudung pengaman bawah (k), tarik tudung pengaman bawah bilah gergaji (l) dan letakkan bilah tersebut pada poros gergaji pada posisi menyandar pada ring penjepit bagian dalam (o) dengan memastikan agar bilah gergaji akan berotasi ke arah yang tepat (arah tanda panah rotasi pada bilah gergaji dan gerigi harus menghadap ke arah yang sama dengan arah tanda panah pada gergaji). Jangan selalu beranggapan bahwa tanda yang tercetak pada bilah gergaji akan selalu menghadap Anda bila telah terpasang dengan benar. Bila menarik tudung pengaman bilah bawah untuk memasang bilah gergaji, periksalah kondisi dan operasi tudung pengaman tersebut guna memastikan bahwa komponen itu telah bekerja dengan benar. Pastikan agar komponen itu dapat bergerak

bebas dan tidak menyentuh bilah gergaji atau komponen lainnya pada semua sudut dan kedalaman pemotongan.

2. Letakkan ring pengunci luar (n) pada poros gergaji dengan permukaan datar berukuran besarnya berada pada posisi menyandar ke bilah gergaji dan huruf-huruf yang tercetak pada ring pengunci luar tersebut menghadap Anda.
3. Masukkan sekrup pengunci bilah gergaji (j) ke dalam poros dengan tangan (sekrup memiliki ulir ke arah kanan sehingga harus diputar searah jarum jam untuk mengencangkannya).
4. Tekan pengunci bilah gergaji (c) saat memutar poros gergaji dengan kunci pas bilah hingga pengunci bilah telah terkunci dan bilah tersebut berhenti berputar.
5. Kencangkan sekrup bilah gergaji dengan benar dengan kunci pas bilah.

CATATAN: Jangan pernah mengaktifkan pengunci bilah saat gergaji bekerja, maupun mengaktifkannya untuk menghentikan perkakas ini. Jangan pernah memutar gergaji saat pengunci bilah aktif. Ini akan mengakibatkan gergaji Anda rusak parah.

CARA MENGGANTI BILAH GERGAJI (GBR. 2–4)

1. Untuk mengendurkan sekrup penjepit bilah gergaji (j), tekan pengunci bilah (c) dan putar poros gergaji dengan kunci pas bilah (s) hingga pengunci bilah aktif dan bilah tersebut berhenti berputar. Dengan posisi pengunci bilah aktif, putar sekrup penjepit bilah berlawanan arah jarum jam menggunakan kunci pas bilah (sekrup memiliki ulir ke arah kanan sehingga harus diputar berlawanan arah jarum jam untuk mengendurkannya).
2. Lepaskan sekrup penjepit bilah (j) dan ring penjepit luar (n). Lepaskan bilah gergaji yang lama.
3. Bersihkan serbuk gergaji yang mungkin mengumpul pada daerah tudung pengaman atau ring penjepit, serta periksa kondisi dan operasi tudung pengaman bilah bawah seperti yang telah disebutkan sebelumnya. Jangan beri pelumas di daerah ini.
4. Selalu gunakan bilah gergaji dengan ukuran (diameter) yang sesuai dengan ukuran dan bentuk lubang tengah untuk memasangnya pada poros gergaji. Pastikan selalu agar kecepatan maksimum bilah gergaji yang dianjurkan (rpm) sesuai atau lebih besar dari kecepatan (rpm) gergaji.
5. Ikuti langkah 1 sampai 5 dalam **Cara Memasang Bilah Gergaji**, dan pastikan agar bilah tersebut berputar ke arah yang benar.

TUDUNG PENGAMAN BILAH BAWAH



PERINGATAN: Tudung pengaman bilah bawah adalah sebuah fitur pengaman yang mengurangi risiko terjadinya cedera diri serius. Jangan pernah menggunakan gergaji jika tudung pelindung bawah hilang, rusak, terpasang dengan tidak benar, atau tidak bekerja dengan semestinya. Jangan mengandalkan tudung pengaman bilah bawah untuk melindungi Anda setiap saat. Keselamatan Anda bergantung pada kesediaan Anda mengikuti semua peringatan dan tindakan pencegahan yang ada, serta pengoperasian gergaji dengan benar. Pastikan tudung pengaman bawah sudah menutup rapat setiap kali akan digunakan. Jika tudung pengaman bawah hilang atau tidak bekerja dengan benar, servislah gergaji sebelum digunakan. Untuk memastikan KEAMANAN dan KEANDALAN produk, segala perbaikan, perawatan, dan penyesuaian harus dilakukan oleh pusat servis resmi atau bengkel servis berkualifikasi lainnya, dengan selalu menggunakan suku cadang pengganti yang sesuai.



PERINGATAN: Jangan gunakan gergaji yang tudung pengaman bawah tetap terbuka dengan menambahkan baji, benang, gelang karet, atau material lainnya.

CARA MEMERIKSA TUDUNG PENGAMAN BAWAH

1. Matikan dan lepaskan perkakas dari sumber listrik.
2. Putar tuas tudung pengaman bawah (Gbr. 1, k) dari posisi menutup penuh ke posisi terbuka penuh.
3. Lepaskan tuas dan perhatikan pergerakan kembali tudung pengaman tersebut (k) ke posisi menutup penuh.

Perkakas ini harus diservis oleh pusat servis berkualifikasi jika:

- tidak bisa kembali ke posisi menutup penuh,
- berputar secara tidak lancar atau perlahan, atau
- bersentuhan dengan bilah gergaji atau komponen perkakas lainnya pada semua sudut dan kedalaman pemotongan.

BILAH GERGAJI



PERINGATAN: Untuk mengurangi risiko cedera mata, selalu gunakan pelindung mata. Karbida adalah material

yang keras namun rapuh. Benda-benda asing yang ada dalam benda kerja seperti kawat atau paku dapat menyebabkan ujung gergaji retak atau patah. Hanya operasikan gergaji bila sudah tersedia pelindung bila gergaji yang sesuai. Pasang bilah gergaji dengan rotasi yang sesuai sebelum digunakan, dan selalu gunakan bilah gergaji, yang bersih dan tajam.

Jika Anda memerlukan bantuan terkait bilah gergaji ini, silakan hubungi dealer DeWALT setempat Anda.

Cara Menyesuaikan Kedalaman Pemotongan (Gbr. 5–7)

1. Naikkan tuas penyesuai kedalaman (p) untuk mengendurkannya.
2. Untuk memperoleh kedalaman pemotongan yang tepat, luruskan penanda (q) pada mistar penyesuai kedalaman dengan marka yang sesuai pada tudung pengaman bilah atas (l).
3. Kencangkan tuas penyesuai kedalaman
4. Untuk memperoleh pemotongan yang paling efisien saat menggunakan bilah gergaji bermata karbida, atur penyesuai kedalaman agar kurang lebih separuh gerigi bilah tersembul di bawah permukaan kayu yang akan dipotong.
5. Sebuah metode untuk mengecek apakah kedalaman pemotongan sudah benar ditunjukkan dalam Gambar 7. Letakkan potongan benda kerja yang hendak Anda potong pada posisi sejajar dengan sisi bilah gergaji, seperti yang ditunjukkan dalam gambar, lalu perhatikan seberapa gerigi bilah yang tersembul melewati benda tersebut.

Cara Menyesuaikan Sudut Siku (Gbr. 8)

Mekanisme penyesuaian sudut siku (g) dapat disesuaikan antara 0° dan 48° (0° & 55°: DWE565).

1. Putar kenop penyesuai siku (f) untuk mengendurkannya.
2. Geser pelat alas hingga menunjukkan sudut yang diinginkan pada kedudukan putar (u).
3. Putar kenop penyesuai siku untuk mengencangkannya kembali.

Indikator Alur Potong (Gbr. 9)

Bagian depan bantalan gergaji memiliki sebuah indikator alur potong (t) untuk pemotongan vertikal dan bersudut. Indikator ini akan memungkinkan Anda untuk meluruskan gergaji di sepanjang garis penanda yang dibuat dengan pensil pada benda yang dipotong. Posisi indikator akan sejajar dengan sisi sebelah kiri (sebelah dalam) bilah gergaji, yang

membuat celah atau “alur” yang dipotong oleh bilah berputar berada di sebelah kanan indikator tersebut. Penanda pada pelat alasnya menunjukkan sudut 0° dan 45°.

Pelindung Kabel yang Dapat Disesuaikan (Gbr. 10)

Pelindung kabel yang dapat disesuaikan (v) memungkinkan kabel untuk diposisikan secara vertikal atau sejajar terhadap bilah gergaji. Saat dikirim, komponen tersebut berada pada posisi vertikal.

UNTUK MEMPEROLEH POSISI YANG SEJAJAR (GBR. 10A)

1. Tekan pelindung kabel (v) seperti yang diindikasikan oleh anak panah.
2. Putar pelindung kabel searah jarum jam ke posisi sejajar.

UNTUK MEMPEROLEH POSISI VERTIKAL (GBR. 10B)

1. Tekan pelindung kabel (v) seperti yang diindikasikan oleh anak panah.
2. Putar pelindung kabel berlawanan arah jarum jam ke posisi vertikal.

Cara Memasang dan Menyesuaikan Pembatas Paralel (Gbr. 11)

Pembatas paralel (w) digunakan untuk membuat pemotongan yang sejajar dengan ujung benda kerja.

PEMASANGAN

1. Masukkan kenop penyesuai pembatas paralel (x) ke dalam lubang (aa) seperti yang ditunjukkan dalam Gambar 11, dengan posisi kenop tetap kendur agar pembatas paralel dapat masuk.
2. Masukkan pembatas paralel (w) ke dalam pelat alas (h) seperti yang ditunjukkan dalam Gambar 11.
3. Kencangkan kenop penyesuai pembatas paralel (x).

PENYESUAIAN

1. Kendurkan kenop penyesuai pembatas (x) dan atur pembatas paralel (w) hingga mencapai kelebaran yang diinginkan. Penyesuaian dapat diketahui pada skala pembatas paralel.
2. Kencangkan kenop penyesuai pembatas (x).

Sebelum Pengoperasian

- Pastikan semua tudung pengaman telah terpasang dengan benar. Tudung pengaman bilah gergaji harus berada pada posisi menutup.
- Pastikan bilah gergaji berotasi ke arah yang ditunjukkan anak panah pada bilah tersebut.

- Jangan menggunakan bilah gergaji yang telah dipakai secara berlebihan.

OPERASI

Petunjuk Penggunaan



PERINGATAN: Selalu patuhi petunjuk keselamatan dan aturan yang berlaku.



PERINGATAN: Untuk mengurangi risiko cedera, matikan unit dan lepaskan mesin dari sumber listrik sebelum memasang dan melepaskan aksesori, sebelum menyesuaikan atau mengubah pengaturan, maupun saat melakukan perbaikan. Perkakas yang mendadak menyala dapat mengakibatkan cedera.

Posisi Tangan yang Benar (Gbr. 12)



PERINGATAN: Untuk mengurangi risiko cedera diri serius, Gunakan **SELALU** posisi tangan yang benar seperti yang telah ditunjukkan.



PERINGATAN: Untuk mengurangi risiko cedera diri serius, pegang **SELALU** perkakas dengan kencang guna mengantisipasi reaksi mendadak.

Posisi tangan yang tepat yaitu satu tangan memegang pegangan utama (b) dan tangan lainnya memegang pegangan tambahan (e).

Menyalakan dan Mematikan (Gbr. 1)

Untuk menjalankan perkakas, tekan sakelar ON/OFF (a). Untuk pengoperasian secara terus-menerus, tekan tombol pengunci (m) dan lepaskan sakelar ON/OFF.

Untuk menghentikan perkakas, lepaskan sakelar ON/OFF. Untuk menghentikan operasi terus-menerus perkakas, tekan sakelar ON/OFF sekali lagi. MATIKAN selalu perkakas setelah pekerjaan selesai dan sebelum mencabutnya dari sumber listrik.

Menyalakan dan Mematikan (sakelar pengaman) (Gbr. 1)

Jika gergaji Anda dilengkapi dengan sakelar pengaman yang dapat mencegah pengoperasian secara tidak sengaja, harap ikuti petunjuk di bawah ini.

Untuk menjalankan perkakas, tekan tombol pengunci (m) kemudian tekan sakelar ON/OFF (a). Lepaskan tombol pengunci (m).

Untuk menghentikan perkakas, lepaskan sakelar ON/OFF (a). MATIKAN selalu perkakas setelah

pekerjaan selesai dan sebelum mencabutnya dari sumber listrik.

PEMBERITAHUAN: *Jangan MENYALAKAN atau MEMATIKAN perkakas bila bilah gergajinya bersentuhan dengan benda kerja atau benda lainnya.*

Penyangga Benda Kerja (Gbr. 13–16)



PERINGATAN: *Untuk mengurangi risiko cedera diri serius, sanggalah benda kerja dengan benar dan pegang gergaji dengan erat untuk menghindari hilangnya kendali.*

Gambar 14 dan 16 menunjukkan posisi penggergajian yang benar. Gambar 15 dan 17 menunjukkan kondisi yang tidak aman. Kedua tangan tidak boleh berada di area pemotongan, dan kabel listrik pun juga harus dijauhkan dari area pemotongan agar tidak tersangkut atau terbelit pada benda kerja.

Untuk menghindari hentakan balik, sanggalah SELALU papan atau panel DI DEKAT potongan, (Gbr. 14 dan 16). JANGAN sangga papan atau panel kayu menjauhi arah potongan (Gbr. 15 dan 17). Bila mengoperasikan gergaji, jauhkan kabelnya dari area pemotongan untuk menghindarkannya menjadi terbelit dengan benda kerja.

CABUT SELALU GERGAJI DARI SUMBER LISTRIK SEBELUM MELAKUKAN PENYESUAIAN APA PUN! Letakkan benda kerja dengan sisi “bagusnya” — sisi yang harus tampak lebih baik — menghadap ke bawah. Gergaji selalu memotong ke arah atas, sehingga serpihan yang terjadi akan berada pada sisi benda kerja yang menghadap ke atas ketika Anda menggergajinya.

Pemotongan



PERINGATAN: *Jangan pernah berusaha menggunakan perkakas ini dengan meletakkannya pada posisi terbalik pada permukaan kerja lalu membawa benda kerja mendekati perkakas. Jepitlah selalu benda kerja dan bawa perkakas mendekati benda kerja, dengan memegang erat perkakas dengan kedua tangan seperti yang ditunjukkan dalam Gambar 16.*

Letakkan bagian bantalan gergaji yang lebih lebar pada bagian benda kerja yang tersangga dengan mantap, bukan pada bagian yang akan jatuh saat pemotongan selesai dilakukan. Sebagai contoh, Gambar 16 menunjukkan cara yang BENAR untuk menggergaji bagian tepi sebuah papan. Jepit selalu benda kerja. Jangan pernah memegang benda kerja yang berukuran pendek dengan tangan! Ingatlah

untuk menyangga benda-benda yang menggantung atau menjuntai. Berhati-hatilah bila menggergaji benda kerja dari arah bawah.

Pastikan gergaji telah berjalan hingga kecepatan penuh sebelum bilah gergaji bersentuhan dengan benda kerja yang akan dipotong. Memulai penggergajian dengan bilah bersentuhan dengan benda kerja yang akan dipotong atau pada posisi dimasukkan dalam alur potong akan mengakibatkan hentakan balik. Dorong gergaji ke depan pada kecepatan yang memungkinkan bilahnya memotong tanpa usaha berlebih. Kekerasan dan ketangguhan dapat berbeda walaupun pada bahan yang sama, selain itu bagian kayu yang bermata atau bagian yang lembab dapat membebani gergaji. Bila ini terjadi, dorong gergaji lebih perlahan namun cukup kuat untuk melanjutkan pekerjaan tanpa adanya penurunan kecepatan yang berarti. Memaksakan gergaji dapat mengakibatkan potongan yang kasar, ketidakakuratan, hentakan balik, atau motor menjadi terlalu panas. Apabila potongan Anda mulai melenceng keluar garis, jangan coba paksakan arah potongan untuk lurus kembali. Sebaliknya, lepaskan sakelar dan biarkan bilah gergaji berhenti sepenuhnya. Kemudian Anda dapat menarik gergaji, meluruskan ulang, dan memulai potongan baru sedikit di sebelah dalam potongan yang salah tadi. Dalam kasus apa pun, tarik gergaji jika Anda harus menggeser potongan. Memaksakan untuk melakukan pembetulan di tengah-tengah potongan dapat melambatkan putaran gergaji secara drastis dan berujung pada hentakan balik.

JIKA PUTARAN GERGAJI MELAMBAT SECARA DRASTIS, LEPASKAN PELATUK DAN MUNDURKAN GERGAJI HINGGA TERLEPAS. PASTIKAN BILAH GERGAJI BERADA LURUS DALAM POTONGAN DAN JAUH DARI TEPI PEMOTONGAN SEBELUM MEMULAI ULANG.

Setelah Anda selesai memotong, lepaskan pelatuk dan biarkan bilah gergaji berhenti sebelum mengangkat gergaji dari bidang kerja. Saat Anda mengangkat gergaji, pengaman teleskopis bertegangan pegas akan menutup di bawah bilah gergaji secara otomatis. Ingat bahwa hingga hal tersebut terjadi, bilah gergaji tetap belum terlindungi. Jangan pernah menjangkau ke bawah benda kerja dengan tujuan apa pun. Bila Anda harus menarik pengaman teleskopis secara manual (seperti yang harus dilakukan untuk memulai jenis potongan menggantung) selalu gunakan tuas penarik.

CATATAN: Saat memotong potongan kayu berukuran tipis, berhati-hatilah agar potongan-potongan kecil yang dihasilkan tidak tersangkut pada bagian dalam tudung pengaman bawah.

PEMBELAHAN

Pembelahan adalah proses memotong papan berukuran lebar menjadi potongan-potongan yang lebih tipis — dengan memotong mengikuti urat kayu. Pengendalian dengan tangan akan lebih sulit untuk melakukan penggergajian jenis ini sehingga pemakaian pembatas paralel DEWALT (Gbr. 11, w) sangat dianjurkan.

PEMOTONGAN MANGANTUNG (GBR. 17)



PERINGATAN: Jangan pernah mengganjal tudung pelindung bilah dalam posisi terangkat. Jangan pernah menggerakkan gergaji ke arah belakang saat melakukan pemotongan langsung di tengah benda kerja. Hal ini dapat mengakibatkan perkakas untuk meluncur keluar permukaan kerja dan dapat mengakibatkan cedera.

Potongan mangantung adalah jenis potongan yang dilakukan pada lantai, dinding, atau permukaan datar lainnya.

1. Sesuaikan pelat bantalan gergaji sehingga bilah gergaji memotong pada kedalaman yang diinginkan.
2. Miringkan gergaji ke depan dan sandarkan bagian depan pelat bantalan pada benda kerja yang akan dipotong.
3. Menggunakan tuas tudung pengaman bawah, tarik tudung pengaman tersebut ke posisi naik. Turunkan bagian belakang pelat bantalan hingga gerigi bilah gergaji hampir bersentuhan dengan garis pemotongan.
4. Lepaskan pengaman bilah (persentuhan komponen tersebut dengan benda kerja akan tetap menahan posisinya agar terbuka bebas saat Anda memulai potongan). Lepaskan tangan dari tuas pengaman dan genggamlah pegangan tambahan (e) dengan erat, seperti yang ditunjukkan dalam Gambar 18. Posisikan tubuh dan lengan Anda untuk menahan hentakan balik jika terjadi.
5. Pastikan bilah gergaji tidak bersentuhan dengan permukaan potong sebelum mulai menggergaji.
6. Nyalakan motor dan turunkan gergaji secara perlahan hingga pelat bantalannya berada datar pada bahan kerja yang akan dipotong. Gerakkan gergaji ke depan sepanjang garis pemotongan hingga potongan selesai.
7. Lepaskan pelatuk dan biarkan bilah gergaji berhenti sepenuhnya sebelum menarik bilah tersebut dari benda kerja.
8. Bila memulai setiap potongan baru, ulangi langkah-langkah di atas.

PERAWATAN

Perkakas listrik DEWALT Anda telah dirancang untuk digunakan dalam jangka waktu yang lama dengan perawatan minimal. Pengoperasian yang memuaskan secara terus-menerus bergantung pada cara pemeliharaan yang layak dan pembersihan perkakas secara teratur.



PERINGATAN: Untuk mengurangi risiko cedera, matikan unit dan lepaskan mesin dari sumber listrik sebelum memasang dan melepaskan aksesori, sebelum menyesuaikan atau mengubah pengaturan, maupun saat melakukan perbaikan. Perkakas yang mendadak menyala dapat mengakibatkan cedera.



Pelumasan

Perkakas ini menggunakan bantalan peluru dan bantalan gelinding berpelumas otomatis sehingga pelumasan ulang tidak dibutuhkan. Walau begitu, dianjurkan untuk membawa atau mengirim perkakas ke pusat servis setahun sekali untuk pembersihan, pemeriksaan, dan pelumasan rangka gir secara menyeluruh.



Pembersihan



PERINGATAN: Bersihkan kotoran dan debu dari kerangka utama dan area pengaman dengan pancaran udara kering setiap kali kotoran tampak menumpuk di dalam dan di sekitar celah ventilasi udara. Gunakan pelindung mata dan masker debu yang kualitasnya diakui bila mengerjakan prosedur ini.

TUDUNG PENGAMAN BAWAH

Tudung pengaman bawah harus selalu dapat berputar dan menutup dengan bebas dari posisi terbuka penuh ke posisi menutup penuh. Selalu periksa pengoperasian yang benar sebelum memotong dengan cara membuka tudung pengaman sepenuhnya dan membiarkannya menutup. Jika tudung pengaman menutup secara perlahan atau tidak sepenuhnya, komponen tersebut perlu dibersihkan atau diservis. Jangan menggunakan gergaji hingga komponen tersebut berfungsi dengan normal. Untuk membersihkan tudung pengaman, gunakan pancaran udara kering atau kuas lembut untuk membersihkan seluruh

serbuk gergaji atau serpihan dari jalur pengaman dan dari sekitar pegas pengaman. Apabila ini tidak menyelesaikan masalah, tudung pengaman perlu diservis oleh pusat servis resmi.



PERINGATAN: *Jangan pernah menggunakan cairan pelarut atau zat kimia keras untuk membersihkan komponen-komponen non-logam perkakas ini. Zat-zat kimia tersebut dapat merapuhkan bahan-bahan yang digunakan dalam semua komponen ini. Gunakan kain yang dilembapkan hanya dengan air dan sabun lembut. Jangan biarkan cairan apa pun masuk ke dalam perkakas; dan jangan pernah mencelupkan komponen perkakas manapun ke dalam cairan.*

Bilah Gergaji

Bilah gergaji yang tumpul akan mengakibatkan pemotongan yang tidak efisien, beban berlebihan pada motor gergaji, serpihan yang berlebihan, serta meningkatkan kemungkinan terjadinya hentakan balik. Gantilah bilah apabila gergaji mulai sulit didorong di sepanjang potongan dengan lancar, bila motor bekerja berlebihan, atau bila panas berlebihan terjadi pada bilah tersebut. Adalah sebuah praktik yang baik untuk menyimpan bilah gergaji cadangan sehingga selalu tersedia bilah tajam yang bisa langsung digunakan. Bilah gergaji yang tumpul dapat diasah di hampir seluruh bagiannya.

Sisa-sisa lengket yang telah mengeras pada bilah gergaji dapat dibersihkan dengan minyak tanah, terpentin, atau cairan pembersih oven. Bilah gergaji berpelapis antilengket dapat digunakan dalam aplikasi yang biasanya menghasilkan penimbunan materi berlebih, seperti pemotongan kayu yang diawetkan dengan tekanan atau kayu basah.

Aksesori Pilihan



PERINGATAN: *Karena banyak aksesori, selain dari yang disediakan oleh DEWALT, belum pernah diujikan pada produk ini, maka menggunakan aksesori semacam itu pada perkakas ini bisa saja berbahaya. Untuk mengurangi risiko cedera, dianjurkan hanya menggunakan aksesori yang dianjurkan oleh DEWALT pada produk ini.*

JANGAN MENGGUNAKAN SAMBUNGAN PENGUMPAN AIR DENGAN GERGAJI INI.

PERIKSALAH BILAH GERGAJI KARBIDA SECARA VISUAL SEBELUM DIGUNAKAN. GANTI KOMPONEN TERSEBUT JIKA RUSAK.

Tanyakan pada outlet penjualan Anda untuk informasi lebih lanjut mengenai aksesori yang sesuai.

Melindungi Lingkungan



Pengumpulan terpisah. Produk ini tidak boleh dibuang bersama limbah rumah tangga biasa.



Apabila suatu hari produk DEWALT Anda perlu diganti atau sudah tidak Anda gunakan lagi, jangan buang produk tersebut bersama sampah rumah tangga. Pisahkan produk ini agar bisa dikumpulkan secara terpisah.



Mengumpulkan produk dan kemasan bekas secara terpisah akan menjadikan bahan-bahannya dapat didaur ulang dan digunakan kembali. Penggunaan kembali bahan yang didaur ulang membantu mencegah pencemaran lingkungan dan mengurangi kebutuhan bahan baku.

Peraturan setempat mungkin mengatur pengumpulan produk elektronik secara terpisah dari limbah rumah tangga, di tempat pembuangan sampah kota atau di outlet penjualan saat Anda membeli produk yang baru.

DEWALT menyediakan fasilitas untuk mengumpulkan dan mendaur ulang produk-produk DEWALT yang telah mencapai akhir usia pakainya. Untuk memanfaatkan layanan ini, harap kembalikan produk Anda kepada agen reparasi resmi yang akan mengumpulkannya bagi kami.

Anda dapat menemukan lokasi agen reparasi resmi yang terdekat dengan menghubungi kantor DEWALT setempat di alamat yang tercantum dalam buku panduan ini. Sebagai alternatif, daftar agen perbaikan DEWALT resmi serta informasi terperinci mengenai layanan purnajual dan kontak kami tersedia di internet, di: www.2helpU.com.