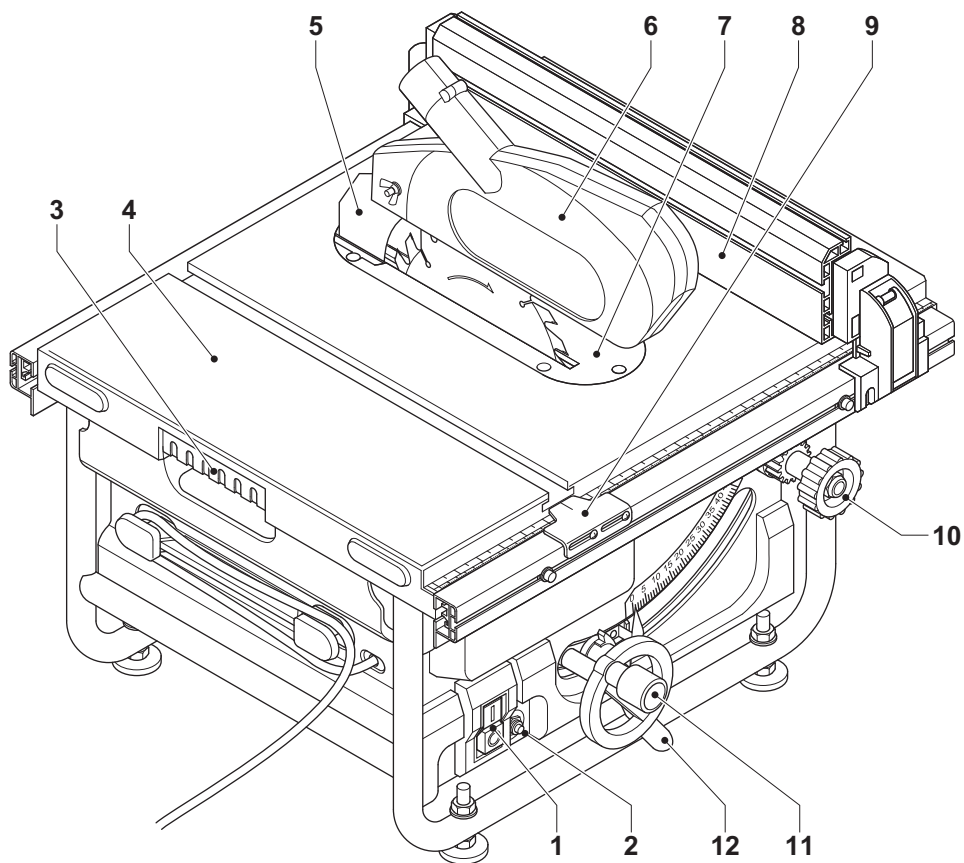

DEWALT®

English (*original instructions*)

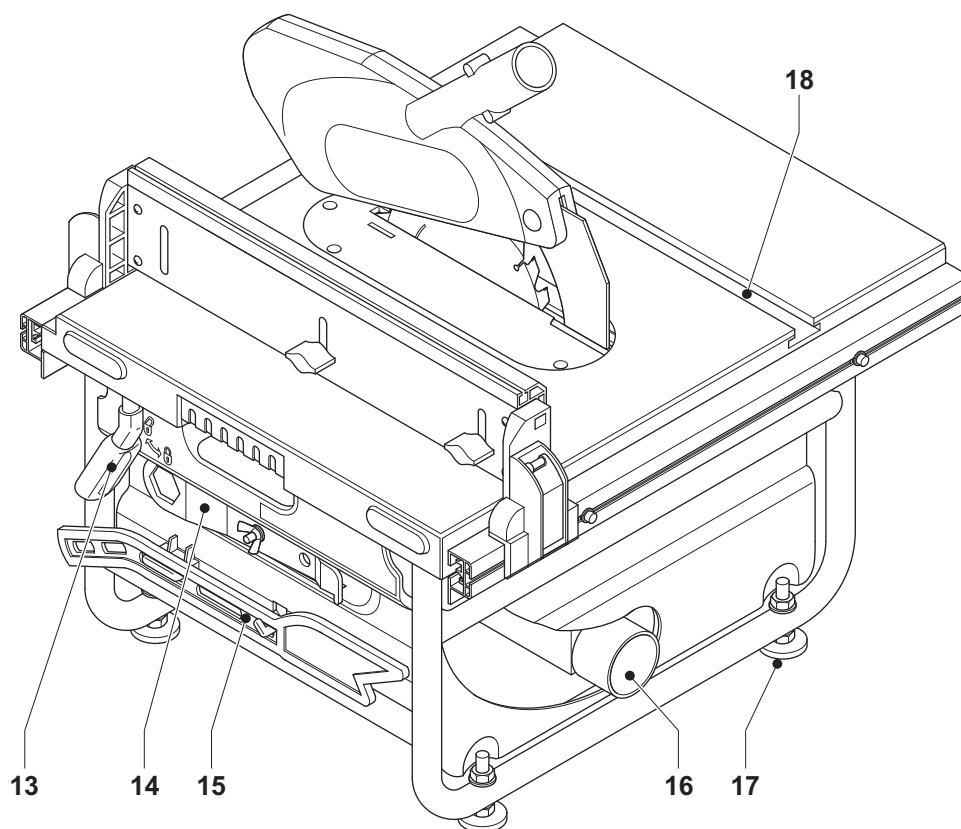
4

한글판

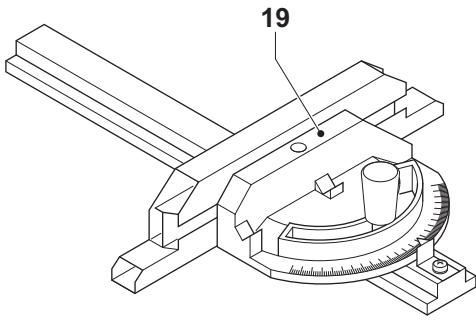
10



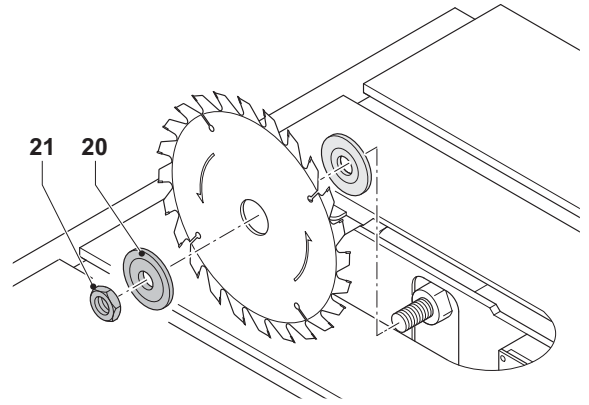
A1



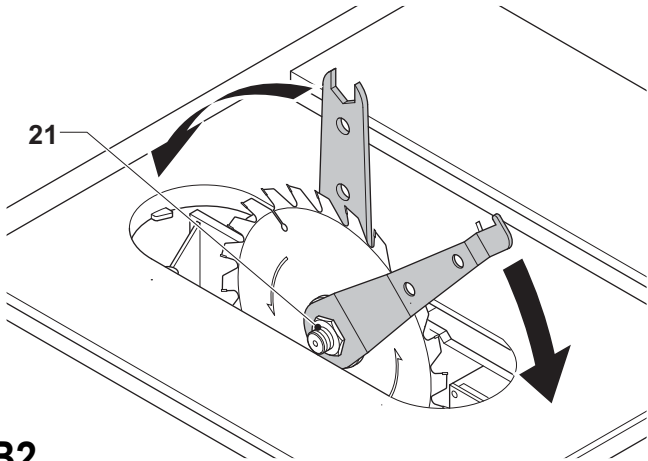
A2



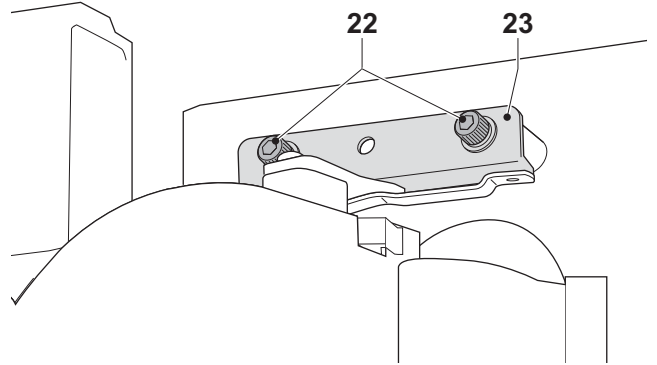
A3



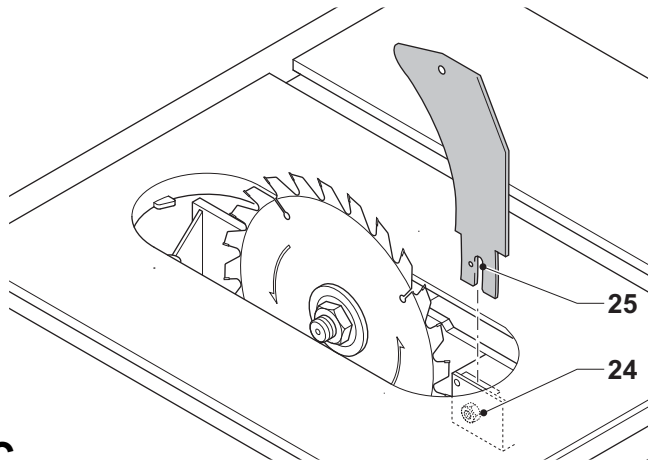
B1



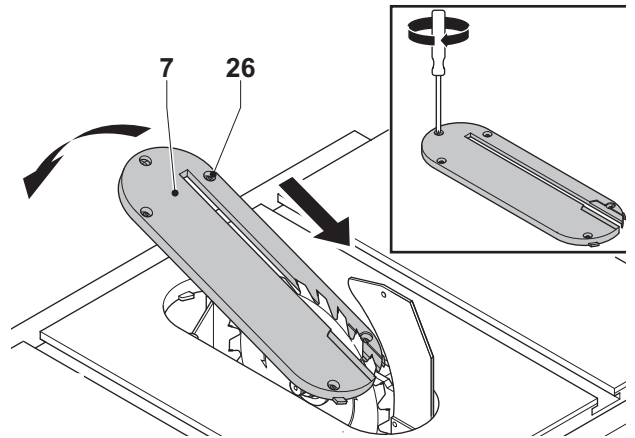
B2



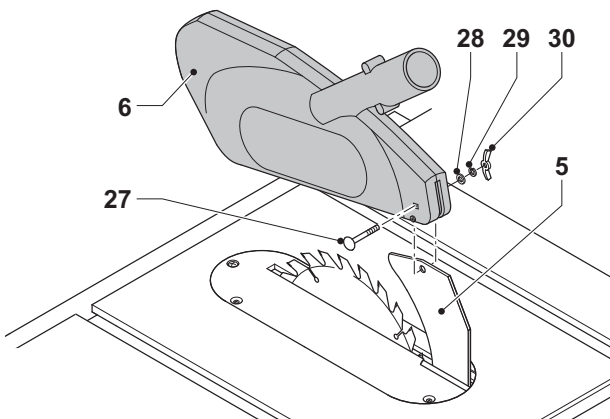
B3



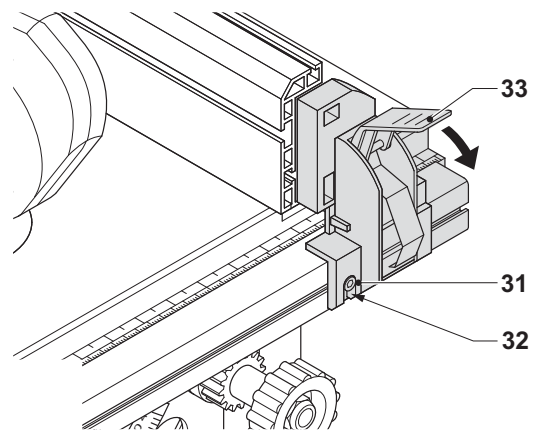
C



D



E



F1

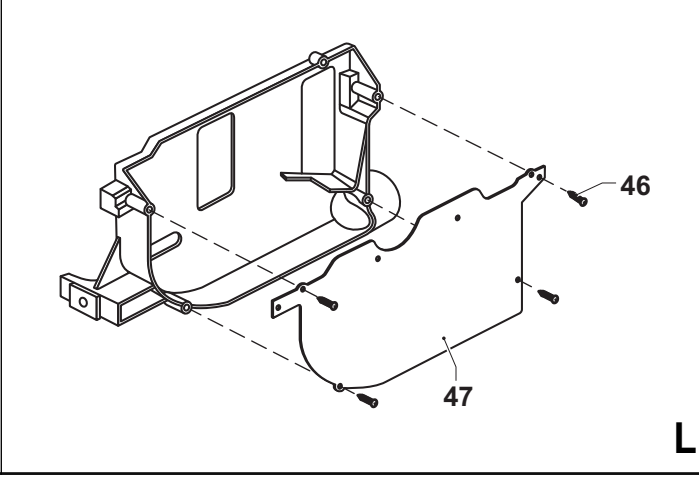
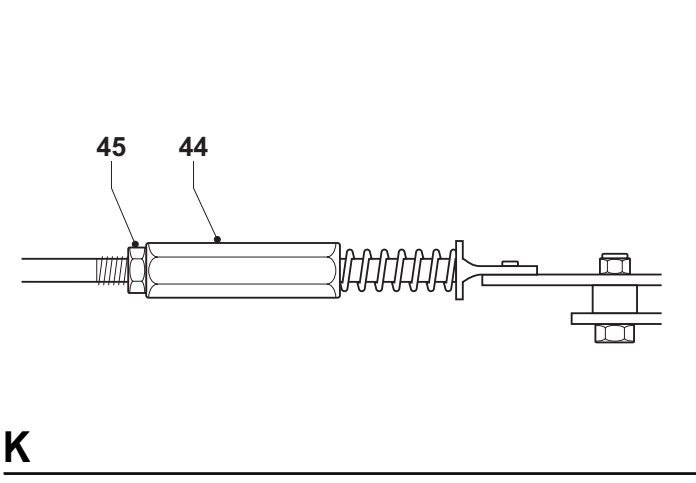
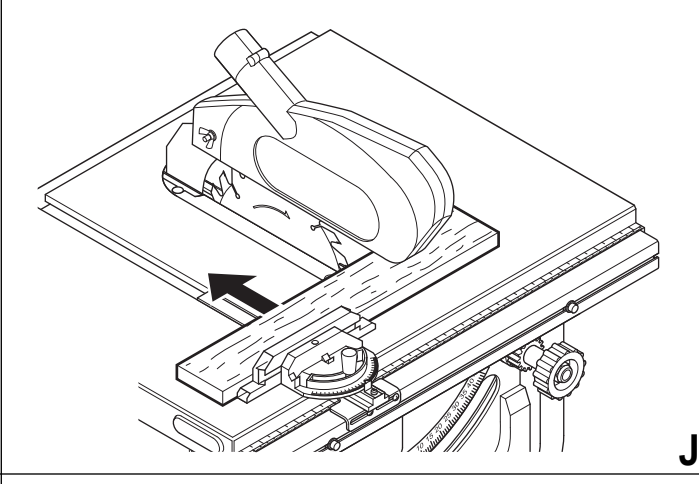
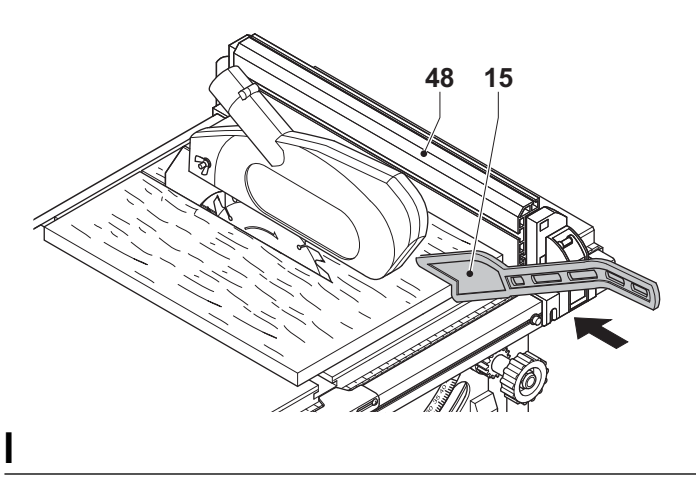
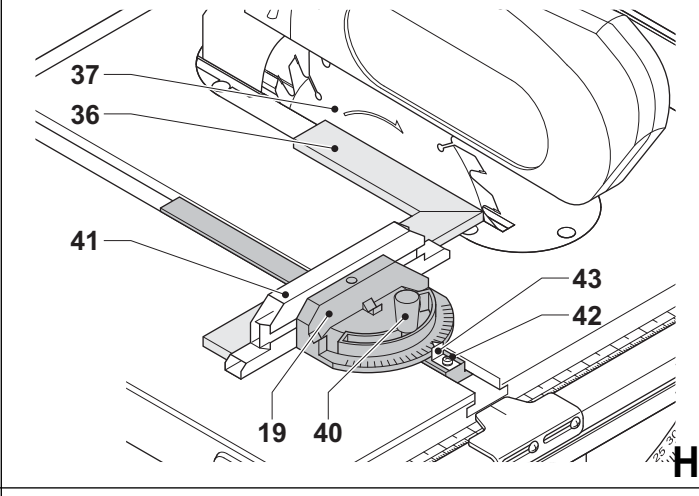
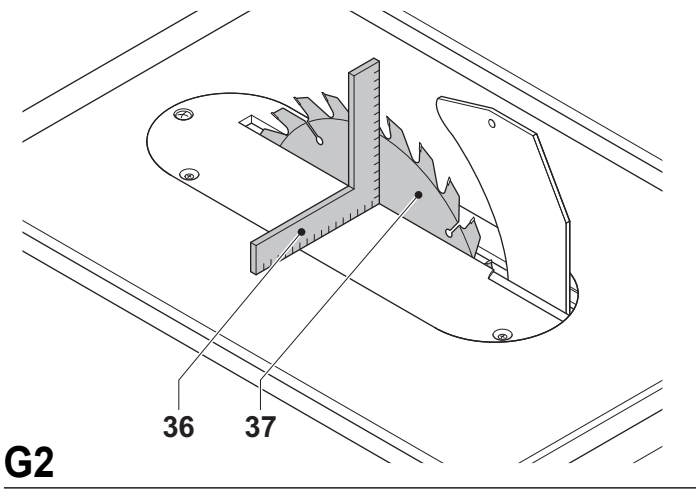
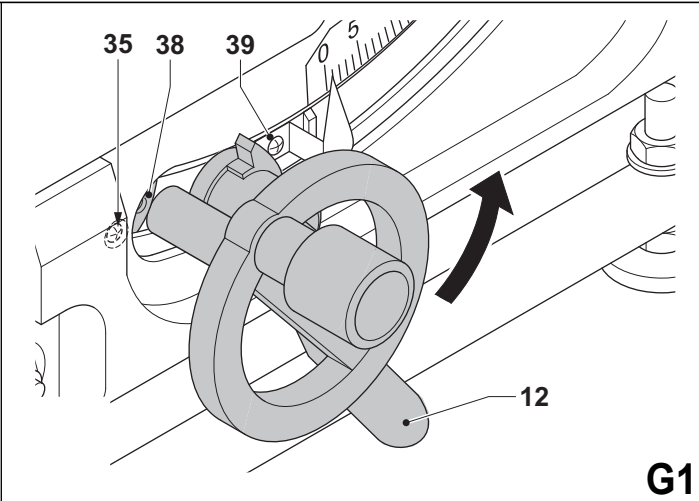
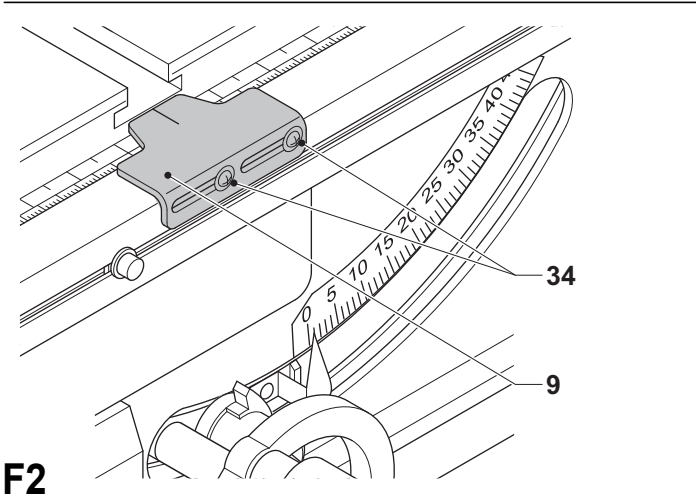


TABLE SAW DW745

Congratulations!

You have chosen a DEWALT tool. Years of experience, thorough product development and innovation make DEWALT one of the most reliable partners for professional power tool users.

Technical Data

		DW745
Voltage	V	220
Type		3
Motor power (input)	W	1700
Motor power (output)	W	1100
No-load speed	min ⁻¹	3800
Blade diameter	mm	250
Blade bore	mm	30
Blade body thickness	mm	2.3
Riving knife thickness	mm	2.3
Depth of cut at 90°	mm	77
Depth of cut at 45°	mm	57
Ripping capacity	mm	508
Overall dimensions	cm	570 x 700 x 466
Weight	kg	21.5
<hr/>		
L _{PA} (sound pressure)	dB(A)	96
K _{PA} (sound pressure uncertainty)	dB(A)	3
L _{WA} (sound power)	dB(A)	109
K _{WA} (sound power uncertainty)	dB(A)	3

NOTE: Switching activity may produce short-term voltage changes or fluctuations. Under unfavourable conditions in public low-voltage supply systems impairment of other appliances might appear. Disturbances will not occur if the impedance is less than 0.25 Ohms. Sockets used for these power tools shall be fused with 16 Amperes cut-out with an inert characteristic.

Definitions: Safety Guidelines

The definitions below describe the level of severity for each signal word. Please read the manual and pay attention to these symbols.



DANGER: Indicates an imminently hazardous situation which, if not avoided, **will** result in **death or serious injury**.



WARNING: Indicates a potentially hazardous situation which, if not avoided, **could** result in **death or serious injury**.



CAUTION: Indicates a potentially hazardous situation which, if not avoided, **may** result in **minor or moderate injury**.

NOTICE: Indicates a practice **not related to personal injury** which, if not avoided, **may** result in **property damage**.



Denotes risk of electric shock.



Denotes risk of fire.



Sharp edges.

Safety Instructions

When using stationary power tools, always observe the safety regulations applicable in your country to reduce the risk of fire, electric shock and personal injury.

Read all of this manual carefully before operating the tool.

Save this manual for future reference.

General

1 Keep work area clean

Cluttered areas and benches can cause accidents.

2 Consider work area environment

Do not expose the tool to rain. Do not use the tool in damp or wet conditions. Keep the work area well lit (250 - 300 Lux). Do not use the tool where there is a risk of causing fire or explosion, e.g. in the presence of flammable liquids and gases.

3 Keep children away

Do not allow children, visitors or animals to come near the work area or to touch the tool or the mains cable.

4 Dress properly

Do not wear loose clothing or jewellery, as these can be caught in moving parts. Wear protective hair covering to keep long hair out of the way. When working outdoors, preferably wear suitable gloves and non-slip footwear.

5 Personal protection

Always use safety glasses. Use a face or dust mask whenever the operations may produce dust or flying particles. If these particles might be considerably hot, also wear a heat-resistant apron. Wear ear protection at all times. Wear a safety helmet at all times.

6 Guard against electric shock

Prevent body contact with earthed or grounded surfaces (e.g. pipes, radiators, cookers and refrigerators). When using the tool under extreme conditions (e.g. high humidity, when metal swarf is being produced, etc.), electric safety can be improved by inserting an isolating transformer or a (FI) earth-leakage circuit-breaker.

7 Do not overreach

Keep proper footing and balance at all times.

8 Stay alert

Watch what you are doing. Use common sense. Do not operate the tool when you are tired.

9 Secure workpiece

Use clamps or a vice to hold the workpiece. It is safer and it frees both hands to operate the tool.

10 Connect dust extraction equipment

If devices are provided for the connection of dust extraction and collection facilities, ensure that these are connected and properly used.

11 Remove adjusting keys and wrenches

Always check that adjusting keys and wrenches are removed from the tool before operating the tool.

12 Extension cables

Before use, inspect the extension cable and replace if damaged.

When using the tool outdoors, only use extension cables intended for outdoor use and marked accordingly.

13 Use appropriate tool

The intended use is described in this instruction manual. Do not force small tools or attachments to do the job of a heavy-duty tool. The tool will do the job better and safer at the rate for which it was intended. Do not force the tool.

Warning! The use of any accessory or attachment or performance of any operation with this tool other than those recommended in this instruction manual may present a risk of personal injury.

14 Check for damaged parts

Before use, carefully check the tool and mains cable for damage.

Check for misalignment and seizure of moving parts, breakage of parts, damage to guards and switches and any other conditions that may affect its operation. Ensure that the tool will operate properly and perform its intended function. Do not use the tool if any part is damaged or defective. Do not use the tool if the switch does not turn it on and off. Have any damaged or defective parts replaced by an authorised DEWALT repair agent. Never attempt any repairs yourself.

15 Unplug tool

Switch off and wait for the tool to come to a complete standstill before leaving it unattended. Unplug the tool when not in use, before changing any parts of the tools, accessories or attachments and before servicing.

16 Avoid unintentional starting

Be sure that the tool is switched off before plugging in.

17 Do not abuse cord

Never pull the cord to disconnect from the socket. Keep the cord away from heat, oil and sharp edges.

18 Store idle tools

When not in use, tools must be stored in a dry place and locked up securely, out of reach of children.

19 Maintain tools with care

Keep the tools in good condition and clean for better and safer performance. Follow the instructions for maintenance and changing accessories. Keep all handles and switches dry, clean and free from oil and grease.

20 Repairs

This tool is in accordance with the relevant safety regulations. Have your tool repaired by an authorised DEWALT repair agent. Repairs should only be carried out by qualified persons using original spare parts; otherwise this may result in considerable danger to the user.

Additional safety rules for saw benches

- Do not use saw blades with a body thickness greater or a width of tooth smaller than the thickness of the riving knife.
- Make sure that the blade rotates in the correct direction and that the teeth are pointing to the front of the saw bench.
- Be sure all clamp handles are tight before starting any operation.
- Be sure all blade and flanges are clean and the recessed sides of the collar are against the blade. Tighten the arbor nut securely.
- Keep the saw blade sharp and properly set.
- Make sure that the riving knife is adjusted to the correct distance from the blade - maximum 5 mm.
- Never operate the saw without the upper and lower guards in place.
- Keep your hands out of the path of the saw blade.
- Disconnect the saw from the mains supply before changing blades or carrying out maintenance.
- Use a push stick at all times, and ensure that you do not place hands closer than 150 mm from the saw blade while cutting.
- Do not attempt to operate on anything but the designated voltage.
- Do not apply lubricants to the blade when it is running.
- Do not reach around behind the saw blade.
- Always keep the push stick in its place when not in use.
- Do not stand on top of the unit.
- During transportation make sure that the upper part of the saw blade is covered, e.g. by the guard.
- Do not use the guard for handling or transportation.
- Immediately replace the table insert when worn or damaged.
- Check that the workpiece is properly supported. Always provide additional support for long workpieces.
- Do not exert side pressure on the saw blade.
- Never cut light alloy. The machine is not designed for this application.
- Do not use abrasive disc or diamond cutting wheels
- Rebating, slotting or grooving is not allowed.
- In case of an accident or machine failure, immediately switch the machine off and pull the plug. Report the failure and mark the machine in suitable form which prevents that other persons use the defective machine.
- When the saw blade is blocked due to abnormal feed force during cutting, ALWAYS switch the machine off and disconnect from power supply. Remove the workpiece and ensure that the saw blade runs free. Turn the machine on and start a new cutting operation with reduced feed force.

- Pull the plug from the socket when blade change or any maintenance is needed.
- Wear always hear protection.
- Wear always safety glasses
- Wear always dust mask when sawing wood.
- Faults in the machine, including guards and saw blades, shall be reported as soon as they are discovered.

Saw blades

- The max. allowable speed of the saw blade must always be equal to or greater than the no-load speed of the tool specified on the nameplate.
- Do not use saw blades that do not conform to the dimensions stated in the technical data. Do not use any spacers to make a blade fit onto the spindle. Use only the blades specified in this manual, complying with EN 847-1.
- Consider applying specially designed noise-reduction blades.
- Do not use HS blades.
- Do not use cracked or damaged saw blades.
- Ensure that the chosen saw blade is suitable for the material to be cut.
- Always wear gloves for handling saw blades and rough material. Saw blades should be carried in a holder wherever practicable.

Residual risks

The following risks are inherent to the use of saws:

- injuries caused by touching the rotating parts

In spite of the application of the relevant safety regulations and the implementation of safety devices, certain residual risks cannot be avoided. These are:

- Impairment of hearing.
- Risk of accidents caused by the uncovered parts of the rotating saw blade.
- Risk of injury when changing the saw blade with unprotected hands.
- Risk of squeezing fingers when opening the guards.
- Health hazards caused by breathing dust developed when sawing wood, especially oak, beech and MDF.

The following factors are of influence to noise production:

- the material to be cut
- the type of saw blade
- the feed force
- machine maintenance

The following factors are of influence to dust exposure:

- worn saw blade
- dust extractor with air velocity less than 20 m/s
- workpiece not exactly guided

Under consideration of the factors mentioned above, the dust collecting efficiency is about 95% of breathable dust.

Markings on Tool

The following pictograms are shown on the tool:



Read instruction manual before use.



Wear ear protection.



Wear eye protection.



Wear respiratory protection.



Pull the plug from the socket when blade change or any maintenance is needed.



Keep hands away from cutting area and the blade.



Carrying point.

DATE CODE POSITION

The Date Code, which also includes the year of manufacture, is printed into the housing.

Example:

2012 XX XX
Year of Manufacture

Package contents

The package contains:

- 1 Partly assembled machine
- 1 Rip fence assembly
- 1 Mitre fence
- 1 Saw blade
- 1 Upper blade guard assembly
- 1 Table insert
- 1 Blade wrench
- 1 Arbor wrench
- 1 Dust extraction adapter
- 1 Instruction manual
- 1 Exploded drawing

- Check for damage to the tool, parts or accessories which may have occurred during transport.
- Take the time to thoroughly read and understand this manual prior to operation.

Description (fig. A1 - A3)

A1

- 1 On/off switch
- 2 Circuit breaker reset button
- 3 Hand indentation
- 4 Table
- 5 Riving knife
- 6 Upper blade guard
- 7 Table insert
- 8 Parallel rip fence
- 9 Rip scale indicator
- 10 Fine adjustment knob
- 11 Combined elevating and bevel control wheel
- 12 Bevel lock lever

A2

- 13 Ripping position lock lever
- 14 Blade wrench storage
- 15 Push stick
- 16 Dust extraction adapter
- 17 Foot
- 18 Fence slot

A3

- 19 Mitre fence

INTENDED USE

Your DW745 jobsite table saw has been designed to perform the sawing operation of ripping, cross-cutting, bevelling and mitring in wood, wood products and plastics. This unit is designed for use with a \varnothing 250 mm carbide tip blade.



WARNING: Do not use the machine for other purposes as intended.

DO NOT use under wet conditions or in presence of flammable liquids or gases.

These table saws are professional power tools.

DO NOT let children come into contact with the tool. Supervision is required when inexperienced operators use this tool.

- This product is not intended for use by persons (including children) suffering from diminished physical, sensory or mental abilities; lack of experience, knowledge or skills unless they are supervised by a person responsible for their safety. Children should never be left alone with this product.

Electrical safety

The electric motor has been designed for one voltage only. Always check that the power supply corresponds to the voltage on the rating plate.



Your DEWALT tool is double insulated in accordance with EN 61029; therefore no earth wire is required.

If the supply cord is damaged, it must be replaced by a specially prepared cord available through the DEWALT service organisation.

Using an Extension Cable

If an extension cable is required, use an approved 3-core extension cable suitable for the power input of this tool (see **Technical Data**). The minimum conductor size is 1.5 mm²; the maximum length is 30 m.

When using a cable reel, always unwind the cable completely.

Assembly and adjustment



WARNING: Prior to assembly and adjustment always unplug the tool.

Unpacking (fig. A1 & A2)

- Remove the saw from the packaging material carefully.
- The machine is fully assembled except for the blade, rip fence, upper blade guard and table insert.
- Finalise the assembly following the instructions as described below.
- Put the push stick (15) on its place at the right-hand side of the machine (fig. A2).
- Adjust the feet (17) until the table (4) is level in all directions.
- Fully unwind the mains cable.



WARNING:

- Always keep the push stick in its place when not in use.
- Connect the plug to the mains outlet only just before starting the application.

Mounting the saw blade (fig. A1, A2 & B1 - B3)



WARNING: Ensure the machine is disconnected from the power source.



WARNING: The teeth of a new blade are very sharp and can be dangerous.



WARNING: The saw blade **MUST** be replaced as described in this section. **ONLY** use saw blades as specified under Technical Data. We suggest DT4226. **NEVER** fit other saw blades.

- Raise the blade arbor to its maximum by rotating the control wheel (11) clockwise (fig. A1).
- Place the saw blade onto the spindle in the order shown in figure B1. The outer flange (20) has a \varnothing 30 mm raised boss which fits inside the blade bore. Make sure the teeth point down at the front of the table.
- Hold the spindle using the open-ended wrench and tighten the arbor nut (21) by rotating clockwise using the arbor wrench (fig. B2).
- To remove the blade, proceed in reverse order.

WARNING: Always check the rip fence pointer and the riving knife after having changed the blade.

Adjusting the saw blade (fig. A2 & B3)

For optimum performance, the blade must be parallel to the mitre slots.

This adjustment has been made at the factory. To re-adjust:

- Turn the saw on its side.
- Using a 10 mm Allen key, slacken the bracket fasteners (22) slightly (fig. B3).
- Adjust the bracket (23) until the blade is parallel to the fence slot (18) (fig. A2).
- Tighten the bracket fasteners (22) to 11 Nm (fig. B3).

Blade height adjustment (fig. A1)

The blade can be raised and lowered by turning the combined elevating and bevel control wheel (11).

- Make sure the top three teeth of the blade are just breaking through the upper surface of the workpiece when sawing. This will ensure that the maximum number of teeth are removing material at any given time, thus giving optimum performance.

Mounting the riving knife (fig. A1 & C)

- Raise the blade arbor to its maximum by rotating the blade height adjustment wheel (11) clockwise (fig. A1).
- Slacken the locking bolt (24) a few turns using the supplied wrench (fig. C).
- Push and hold the bolt (24) inwards to release the spring-loaded clamping mechanism.
- Align the slot (25) with the bolt (24) and insert the riving knife until the top of the slot rests on the knob.
- Release the bolt (24) and tighten securely using the supplied wrench.



WARNING:

- When properly aligned, the riving knife will be in line with the blade at the table top and at the top of the blade. Check using a straight edge in all bevel and blade height positions.
- Do not attempt to fix the riving knife in any other position than recommended. The distance between the riving knife and the tips of the blade teeth must be at least 2.0 mm.
- Correct mounting and alignment of the upper blade guard (6) on the riving knife is essential to safe operation!
- It is not allowed to fit a different riving knife to the specification delivered with a thickness of 2.3 mm.

Fixing to Workbench (fig. A2)

- The machine frame between the feet on each side (17) is provided with two holes which allow fixing on a workbench. Use the holes diagonally.
- To improve the handling fix the machine on a piece of plywood of min 15 mm thick.

- When in use the plywood sheet can be clamped to the workbench. This allows easier transportation of the machine, by releasing the clamps.

Mounting the table insert (fig. D)

- Align the table insert (7) as shown and insert the tabs of the back of the table insert into the holes on the back of the table.
- Press down the front of the table insert.
- The front of the table insert must be flush or slightly below the table top. The rear should be flush with the table top. Adjust using the four adjustment screws (26).
- Turn the locking screw (see insert in fig. D) clockwise 90° to lock the table insert in place.

WARNING: Never use the machine without the table insert. Immediately replace the table insert when worn or damaged.

Mounting the upper blade guard (fig. E)

- Fasten the guard (6) to the riving knife (5) with the bolt (27).
- Place the washer (28 & 29) and wingnut (30) onto the other end of the bolt and tighten.

Mounting and adjusting the parallel fence (fig. A1, F1 & F2)

The rip fence (8) can be installed on the left or right side of your table saw.

- Locate the screw (31) with the slot (32) in the rip fence.
- Secure the rip fence by snapping both latches (33) in place.

Adjusting the fence parallel to the blade

The fence has been factory-set. If you need to re-adjust, proceed as follows:

- Set the saw blade to its highest position.
- Remove the upper blade guard (6).
- Set the bevel angle to 0°.
- Unlock the rail lock lever (13).
- Move the fence (8) until it touches the blade.
- Check that the fence is parallel to the blade.
- If adjustment is required, proceed as follows:
- Using an Allen key, loosen the adjustment screw (31) locating the fence to the fence rail.
- Adjust the fence parallel to the blade.
- Tighten the adjustment screw.
- Lock the rail lock lever and check that the fence is parallel to the blade.
- Be sure to replace the blade guard after the adjustment.



WARNING: If there is not enough travel in the pinion bearing assembly, take the unit to an authorized DEWALT repair agent.

Adjusting the rip scale

The rip scale reads correctly only when the fence is mounted to the right of the blade.

- Check that the pointer (9) indicates zero on the scale when the fence is just touching the blade. If the pointer does not indicate exactly zero, loosen the screws (34), move the pointer to read 0 and tighten the screws.

Bevel stop and pointer adjustment (fig. G1 & G2)

- Set the saw blade to its highest position.
- Unlock the bevel lock lever (12) by pushing it up and to the right.
- Loosen the bevel stop screw (35).
- Place a set square (36) on the table and up against the blade (37).
- Adjust the bevel angle using the bevel lock lever (12) until the blade is flat against the square.
- Tighten the bevel lock lever (12).
- Turn the bevel stop cam (38) until it firmly contacts the bearing block.
- Check the bevel angle scale. If adjustment is required, loosen the pointer screw (39) and set the pointer to 0°.

- Tighten the pointer screw (39).
- Repeat the procedure at 45° for the 45° bevel stop, but do not adjust the pointer.

Adjusting the mitre fence (fig. H)

- Install the mitre fence (19) in the slot to the left of the blade.
- Loosen the lock knob (40).
- Place a square (36) against the fence face (41) and the blade (37).
- Check that the pointer (42) indicates 90° on the scale. If the pointer does not indicate exactly 90°, loosen the screw (43), move the pointer to read 90° and tighten the screw.

OPERATION

Instructions for use



WARNING:

- Always observe the safety instructions and applicable regulations.
- Ensure the machine is placed to satisfy ergonomic conditions in terms of table height and stability. The machine site shall be chosen so that the operator has a good overview and enough free surrounding space around the machine that allow handling of the workpiece without any restrictions.
- Install the appropriate saw blade. Do not use excessively worn blades. The maximum rotation speed of the tool must not exceed that of the saw blade.
- Do not attempt to cut excessively small pieces.
- Allow the blade to cut freely. Do not force.
- Allow the motor to reach full speed before cutting.
- Make sure all locking knobs and clamp handles are tight.

The attention of UK users is drawn to the "woodworking machines regulations 1974" and any subsequent amendments.

- Never place either hand in the blade area when the saw is connected to the electrical power source.
- Never use your saw for freehand cuts!
- Do not saw warped, bowed or cupped workpieces. There must be at least one straight, smooth side to go against the rip fence or mitre fence.
- Always support long workpieces to prevent kickback.
- Do not remove any cut-offs from the blade area while the blade is running.

Switching on and off (fig. A1)

- To switch the machine on, press the green start button.
- To switch the machine off, press the red stop button.

NOTE: Switching activity may produce short-term voltage changes or fluctuations. Under unfavourable conditions in public low-voltage supply systems impairment of other appliances might appear. Disturbances will not occur if the impedance is less than 0.262 Ohms.

Sockets used for these power tools shall be fused by a 16 Amperes cut-out with an inert characteristic.

Basic saw cuts

- Always use the riving knife.
- Always ensure that the riving knife and blade guard are correctly aligned.

Ripping (fig. A1 & I)



WARNING: Sharp edges.

- Set the bevel angle to 0°.
- Adjust the saw blade height. The correct blade position is to have the tips of three teeth just protruding through the top surface of the wood. Adjust the height of the upper blade guard as necessary.
- Set the parallel fence to the required distance.
- Adjust the position of the L-shaped fence profile (48) level with the back of the riving knife. When ripping wide pieces of material, slide the L-shaped fence profile (48) off the main part of the fence, rotate vertically through 180° and replace to provide additional support.
- Hold the workpiece flat on the table and against the fence. Keep the workpiece away from the blade.
- Keep both hands away from the path of the blade.
- Switch the machine on and allow the blade to reach full speed.
- Slowly feed the workpiece underneath the guard, keeping it firmly pressed against the rip fence. Allow the teeth to cut, and do not force the workpiece through the blade. The blade speed should be kept constant.
- Remember to use the push stick (15) when close to the blade.
- After completing the cut, switch the machine off, allow the blade to stop and remove the workpiece.



WARNING:

- Never push or hold the "free" or cut-off-side of the workpiece.
- Do not cut excessively small workpieces.
- Always use a push stick when ripping small workpieces.

Bevel cuts

- Set the required bevel angle.
- Proceed as for ripping.

Cross-cutting (fig. J)

- Remove the rip fence and install the mitre fence in the desired slot.
- Lock the mitre fence at 0°.
- Set the bevel angle to 0°.
- Adjust the saw blade height.
- Hold the workpiece flat on the table and against the fence. Keep the workpiece away from the blade.
- Keep both hands away from the path of the saw blade.
- Switch the machine on and allow the saw blade to reach full speed.
- Hold the workpiece tightly against the fence and slowly move the workpiece together with the fence assembly until the workpiece comes underneath the upper blade guard. Allow the teeth to cut, and do not force the workpiece through the saw blade. The saw blade speed should be kept constant.
- After completing the cut, switch the machine off, allow the saw blade to stop and remove the workpiece.

Bevel cross-cutting

- Set the required bevel angle.
- Proceed as for cross-cutting.

Mitre cuts

- Set the mitre fence to the required angle.
- Proceed as for cross-cutting.

Compound mitre

This cut is a combination of a mitre and a bevel cut.

- Set the bevel to the angle required and proceed as for a cross-cut mitre.

Support for long pieces

- Always support long pieces.
- Support long workpieces using any convenient means such as saw-horses or similar devices to keep the ends from dropping.

Dust extraction (fig. A2)

The machine is provided with a dust exhaust port at the rear of the machine (16) suitable for use with dust extraction equipment featuring 57/65 mm nozzles. Supplied with the machine is a reducer port for use of dust extraction nozzles of 34-40 mm diameter.

- During all operations, connect a dust extraction device designed in accordance with the relevant regulations regarding dust emission.
- Ensure that the dust extraction hose in use is suitable for the application and material being cut.
- Be aware that man-made materials such as chipboard or MDF produce more dust particles during cutting than natural timber.

Optional accessories

WARNING: Since accessories, other than those offered by DEWALT, have not been tested with this product, use of such accessories with this tool could be hazardous. To reduce the risk of injury, only DEWALT, recommended accessories should be used with this product.

SAW BLADES: ALWAYS USE 250 mm noise reduced saw blades 30 mm arbour holes. Blade speed rating must be at least 4000 RPM. Never use a smaller diameter blade. It will not be guarded properly.

BLADE DESCRIPTIONS		
APPLICATION	DIAMETER	TEETH
Construction Saw Blades (<i>fast rip</i>)		
General Purpose	250 mm	24
Fine Crosscuts	250 mm	40
Woodworking Saw Blades (<i>provide smooth, clean cuts</i>)		
Fine crosscuts	250 mm	60

Replace top guard (part no.: 247678-02) when worn. Consult your dealer for further information on the appropriate accessories.

Transporting (fig. A1)

- Tidy the mains cable
- Always carry the machine at the hand indentations (3).



WARNING: Always transport the machine with the upper blade guard fitted.

Maintenance

Your DEWALT machine has been designed to operate over a long period of time with a minimum of maintenance. Continuous satisfactory operation depends upon proper tool care and regular cleaning.

Rail lock adjustment (fig. A2 & K)

The rail lock tension has been factory-set. If you need to re-adjust, proceed as follows:

- Turn the saw on its side.
- Lock the lock lever (13).
- Locate the hex rod (44) on the underside of the machine (fig. K).
- Loosen the jam nut (45). Tighten the hex rod until the spring on the locking system is compressed creating the desired tension on the rail lock lever. Retighten the jam nut against the hex rod.

**Lubrication**

The motor and bearings require no additional lubrication. If raising and lowering the blade becomes difficult, clean and grease the height adjustment screws:

- Turn the saw on its side.
- Clean and grease the height adjustment threads. Use general purpose grease.

**Cleaning**

WARNING: To reduce the risk of serious personal injury, turn unit off and disconnect machine from power source before cleaning. An accidental start-up can cause injury.

Before use, carefully inspect upper and lower guard as well as the dust extraction tube to determine that it will operate properly. Ensure that chips, dust or workpiece particles cannot lead to blockage of one of the functions.

In case workpiece fragments are jammed between saw blade and guards, disconnect the machine from the power supply and follow the instructions given in section **Mounting the saw blade**. Remove the jammed parts and reassemble the saw blade.

Keep the ventilation slots clear and regularly clean the housing with a soft cloth.

Regularly clean the dust collection system (fig. L):

- Turn the saw on its side.
- Remove the screws (46) (fig. L).
- Remove all dust and resecure the access door (47) using the screws (fig. L).

Protecting the environment

Separate collection. This product must not be disposed of with normal household waste.

Should you find one day that your DEWALT product needs replacement, or if it is of no further use to you, do not dispose of it with household waste. Make this product available for separate collection.



Separate collection of used products and packaging allows materials to be recycled and used again. Re-use of recycled materials helps prevent environmental pollution and reduces the demand for raw materials.

Local regulations may provide for separate collection of electrical products from the household, at municipal waste sites or by the retailer when you purchase a new product.

DEWALT provides a facility for the collection and recycling of DEWALT products once they have reached the end of their working life. To take advantage of this service please return your product to any authorised repair agent who will collect them on our behalf.

You can check the location of your nearest authorised repair agent by contacting your local DEWALT office at the address indicated in this manual. Alternatively, a list of authorised DEWALT repair agents and full details of our after-sales service and contacts are available on the Internet at: www.2helpU.com

테이블 톱 DW745

축하합니다!

DeWALT 공구를 선택해 주셔서 감사합니다. 제품 개발과 혁신을 통한 다년간의 경험은 DeWALT를 전문 전동 공구 사용자가 가장 믿을 수 있는 기업으로 만들어 왔습니다.

기술 데이터

		DW745
전압	V	220
유형		3
모터 전력(입력)	W	1700
모터 전력(출력)	W	1100
무부하회전수	분 ⁻¹	3800
톱날 직경	mm	250
톱날 구멍	mm	30
톱날 본체 두께	mm	2.3
등근톱 분할날 두께	mm	2.3
절삭 깊이(90°에서)	mm	77
절삭 깊이(45°에서)	mm	57
세로커기 용량	mm	508
전체 크기	cm	570 x 700 x 466
무게	kg	21.5
<hr/>		
L _{PA} (음압)	dB(A)	96
K _{PA} (음압 불확실성)	dB(A)	3
L _{WA} (음력)	dB(A)	109
K _{WA} (음력 불확실성)	dB(A)	3

참고: 스위칭은 일시적 전압 변동을 초래할 수 있습니다. 순조롭지 않은 조건에서는 다른 가전의 공개된 저전압 공급 시스템 장애가 발생할 수 있습니다. 임피던스가 0.25 Ohm 미만일 경우 장애가 발생하지 않을 것입니다. 이러한 전동 공구에 사용되는 콘센트는 비활성의 16 암페어 차단으로 퓨즈되어야 합니다.

정의: 안전 지침

다음 정의는 각 경고 문구의 심각도를 설명합니다. 사용 설명서를 읽고 다음 기호들에 유의하십시오.



위험: 절박한 위험 상태를 나타내며, 방지하지 않으면 사망 또는 심각한 부상을 초래합니다.



경고: 잠재적으로 위험한 상태를 나타내며, 방지하지 않으면 사망 또는 심각한 부상을 초래할 수도 있습니다.



주의: 잠재적으로 위험한 상태를 나타내며, 방지하지 않으면 경미하거나 가벼운 부상을 초래할 수 있습니다.

참고: 신체 부상을 초래하지 않는 행위를 나타내며, 방지하지 않으면 재산상의 손해가 발생할 수 있습니다.



감전 위험을 나타냅니다.



화재 위험을 나타냅니다.



날카로운 가장자리.

안전 지침

정상 전동 공구를 사용할 때는 항상 해당 국가에 적용되는 안전 규정을 준수하여 화재, 감전 및 개인 부상의 위험을 줄이십시오. 공구를 작동하기 전에 본 사용 설명서 전체 내용을 잘 읽고 숙지하십시오. 향후 참고할 수 있도록 본 설명서를 보관해두십시오.

일반 주의 사항

- 1 작업장을 청결히 유지하십시오.**
작업장과 벤치가 어수선하면 사고가 발생하기 쉽습니다.
- 2 작업 환경을 감안하십시오.**
공구를 비에 노출시키지 마십시오. 축축하거나 젖은 상태에서 공구를 사용하지 마십시오. 작업장을 충분히 밝게 유지하십시오(250 - 300 렉스). 가연성 액체 및 가스가 존재하는 등, 화재 또는 폭발이 발생할 수 있는 장소에서는 공구를 사용하지 마십시오.
- 3 어린이가 가까이 오지 못하게 하십시오.**
어린이, 방문자 또는 동물들이 작업장 가까이 오거나 공구 또는 메인 케이블을 만지지 않도록 하십시오.
- 4 적절한 의복을 착용하십시오.**
늘어지는 옷이나 장신구를 착용하지 마십시오. 움직이는 부품에 끼일 수 있습니다. 긴 머리카락을 정리할 수 있도록 보호용 두건을 착용하십시오. 실외 작업 중에는 적당한 장갑 및 미끄럼 방지 작업화를 착용하는 것이 좋습니다.
- 5 신체 보호**
항상 보안경을 착용하십시오. 작업 중에 먼지나 비산 파편이 생길 경우에는 항상 안면 마스크나 방진 마스크를 착용하십시오. 이러한 입자는 상당히 뜨거울 수 있으므로, 내열성 앞치마도 착용하십시오. 항상 귀 보호 장구를 착용하십시오. 또한 항상 안전 헬멧도 쓰십시오.
- 6 감전되지 않게 조심하십시오.**
파이프, 라디에이터, 쿠키 및 냉장고 등과 같이 접지된 물체 표면에 신체가 접촉되지 않도록 하십시오. 습기가 많거나 금속 파편이 생기는 등의 열악한 조건에서 공구를 사용할 때는 절연 변압기나 (FI) 누전차단기를 끼워 넣어 전기 안전 여건을 향상시킬 수 있습니다.
- 7 무리하게 팔을 뻗지 마십시오.**
항상 올바른 자세로 서서 균형을 유지하십시오.
- 8 항상 주의하십시오.**
조심해서 작업을 하십시오. 상식을 최대한 적용하고, 피곤한 상태로 공구를 다루지 마십시오.
- 9 가공물을 고정하십시오.**
클램프나 바이스를 이용해 가공물을 고정하십시오. 이렇게 하는 것이 더 안전하며 두 손으로 공구를 다룰 수 있습니다.
- 10 먼지 배출 장비를 연결하십시오.**
먼지 배출 및 집진 시설 연결을 위한 장치가 제공된 경우, 이들 장치가 연결되어 적절히 사용되고 있는지 반드시 확인하십시오.
- 11 조정 키 및 렌치를 제거하십시오.**
공구를 작동시키기 전에 항상 조정 키 및 렌치를 제거했는지 확인하십시오.
- 12 연장 코드**
사용하기 전에 연장 케이블을 검사하고 손상되었을 경우 교체하십시오. 공구를 실외에서 사용할 때는 실외용으로 제작 및 표기된 연장 코드만 사용하십시오.
- 13 적합한 공구를 사용하십시오.**
본 사용 설명서에 제품의 용도가 설명되어 있습니다. 고성능 공구로 수행할 작업을 위해 작은 공구나 액세서리를 무리하게 사용하지 마십시오. 용도에 맞는 속도로 작업할 때 작업을 더욱 안전하고 정확하게 수행할 수 있습니다. 공구에 무리한 힘을 가하지 마십시오.
경고! 본 사용 설명서에서 권장하는 방식 이외의 다른 방식으로 본 공구를 조작하거나 액세서리 또는 부속물을 사용하는 경우 신체 부상의 위험이 있을 수 있습니다.
- 14 손상된 부품이 없는지 확인하십시오.**
사용 전에 공구 및 메인 케이블이 손상되지 않았는지 꼼꼼히 점검하십시오. 움직이는 부품의 잘못된 정렬이나 고착, 부품 파손, 가드 및 스위치 손상 등 정상 작동에 영향을 미칠 수 있는 이상이 있는지 점검하십시오. 공구가 정상 작동하고 원하는 기능을 제대로 수행할 수 있는지 확인하십시오. 손상되거나 결함 있는 부품이 있는 경우에는 공구를 사용하지 마십시오. 스위치를 켜거나 끌 수 없는 경우 공구를 사용하지 마십시오. 손상되거나 결함 있는 부품은 DEWALT 공인 수리 대리점에 맡겨 교체하십시오. 절대로 직접 수리하려고 하지 마십시오.

15 공구의 플러그를 뽑아 두십시오.

공구 결을 떠나기 전에 공구의 전원을 끄고 완전히 멈출 때까지 기다리십시오. 사용하지 않거나 공구의 부품, 액세서리 또는 부착물을 교체하기 전 또는 사용하기 전에는 공구의 플러그를 뽑으십시오.

16 공구가 갑자기 작동하지 않도록 하십시오.

플러그를 뽑기 전에 공구의 스위치가 꺼져 있는지 반드시 확인하십시오.

17 코드를 함부로 다루지 마십시오.

소켓에서 분리하기 위해 절대 코드를 잡아당기지 마십시오. 코드가 열, 오일 및 날카로운 가장자리에 닿지 않도록 하십시오.

18 사용하지 않는 공구는 보관하십시오.

사용하지 않을 때는 어린이의 손이 닿지 않도록 건조하고 확실하게 잠겨 있는 장소에 보관해야 합니다.

19 공구를 관리하십시오.

보다 원활하고 안전한 작동을 위해 공구를 청결하고 좋은 상태로 유지하십시오. 유지 보수 및 액세서리 교체에 대한 지시 사항을 따르십시오. 핸들 및 스위치에 물기가 없고 깨끗하며 오일 및 그리스가 묻지 않도록 하십시오.

20 수리

이 공구는 관련 안전 법규를 준수합니다. 공구는 DeWALT 공인 수리 대리점에 맡겨 수리하십시오. 수리는 유자격 기술자가 예비 부품을 사용해 실시해야 합니다. 그렇지 않을 경우 사용자에게 상당한 위험이 초래될 수 있습니다.

톱 벤치에 대한 추가 안전 규칙

- 바디 두께보다 더 크거나 동근톱 분할날의 두께보다 더 작은 폭의 치 톱날을 사용하지 마십시오.
- 날이 정확한 방향으로 돌고 있는지와 치가 톱 벤치의 앞을 향하고 있는지 확인하십시오.
- 작업을 시작하기 전에 모든 클램프 핸들이 꼭 조여졌는지 확인하십시오.
- 모든 날과 만조가 깨끗하고 칼라의 우묵한 쪽이 톱날 반대쪽이 되도록 하십시오. 확실하게 주축 너트를 조이십시오.
- 톱날을 날카롭게 유지하고 올바르게 놓으십시오.
- 동근톱 분할날이 날에서 거리(최대 5 mm)가 정확하게 조정되었는지 확인하십시오.
- 상부 또는 하부 가드가 제자리에 있지 않을 때 톱을 작동하지 마십시오.
- 손이 톱날의 경로에 들어가지 않도록 하십시오.
- 날을 교환하거나 유지보수를 수행하기 전에 톱을 주 전원으로부터 차단하십시오.
- 항상 푸시 스틱을 사용하고, 절단 시 손을 톱날로부터 150mm 보다 더 가까이 놓지 않도록 하십시오.
- 지정된 전압이 아닐 경우 작동하려고 시도하지 마십시오.
- 공구가 작동 중인 경우에는 날에 윤활유를 바르지 마십시오.
- 톱날 뒤 쪽으로 손이 닿지 않도록 하십시오.
- 항상 사용하지 않을 때는 푸시 스틱을 제자리에 두십시오.
- 공구 위에 서 있지 마십시오.
- 운반 중에는 톱날의 상부가 가드 등으로 덮여 있는지 확인하십시오.
- 취급 또는 운송 시에는 가드를 사용하지 마십시오.
- 마모되었거나 손상된 경우 테이블 인서트를 즉시 교체하십시오.
- 가공품을 제대로 받쳐 놓았는지 확인하십시오. 항상 긴 작업물에 대한 추가적으로 지지하십시오.
- 톱날에 측압을 가하지 마십시오.
- 경합급은 절대 절단하지 마십시오. 본 기기는 이러한 용도로 설계되지 않았습니다.
- 연마용 디스크 또는 다이아몬드 절삭 휠을 사용하지 마십시오.
- 홈파기, 슬로팅 작업 또는 홈 만들기는 허용되지 않습니다.
- 사고가 나거나 기계가 고장난 경우에는 즉시 기계 전원을 끄고 플러그를 뽑으십시오. 다른 사람들이 결함 있는 기계를 사용하지 않도록 고장을 보고하고 적당한 방법으로 기계에 표시를 하십시오.
- 절단 중에 톱날이 비정상적인 피드포스(feed force)로 인해 차단된 경우, 항상 기계를 끄고 전원에서 플러그를 뽑으십시오. 작업물을 제거하고 톱날이 잘 돌아가는지 확인하십시오. 기계의 전원을 켜고 피드포스를 줄인 상태에서 새로운 절단 작업을 시작하십시오.

- 날 교환 또는 유지보수가 필요한 경우 플러그를 콘센트에서 뽑으십시오.
- 항상 귀 보호 장구를 착용하십시오.
- 항상 보호 안경을 착용하십시오.
- 나무를 톱질할 때는 항상 방진 마스크를 착용하십시오.
- 가드나 톱날을 포함한 기계 결함은 발견 즉시 보고해야 합니다.

톱날

- 톱날의 최대 허용 속도는 항상 공구의 명판에 지정되어 있는 무부하 속도 이상이어야 합니다.
- 기술 데이터에 명시되어 있는 규격과 다른 톱날을 사용하지 마십시오. 날을 스펀들에 맞추는데 스페이서를 사용하지 마십시오. EN 847-1을 준수하는, 본 사용 설명서에 지정된 날만 사용하십시오.
- 특수하게 설계된 소음 감소 날의 사용을 고려해 보십시오.
- HS 날을 사용하지 마십시오.
- 금이 가거나 손상된 톱날은 사용하지 마십시오.
- 선택한 톱날이 절단할 재료에 적합한지 확인하십시오.
- 톱날과 거친 재료를 취급할 때는 항상 장갑을 끼십시오. 가능한 경우 톱날은 홀더에 넣어 운반해야 합니다.

기타 발생 가능한 위험

다음 위험들은 톱 사용 시 내재하고 있습니다.
- 돌아가는 부품을 만짐으로 인해 발생하는 부상

관련된 안전 규정을 준수하고 안전 장치를 사용한다고 해도 특정한 위험은 피할 수 없습니다. 이러한 위험은 다음과 같습니다.

- 청력 손상
- 돌아가는 톱날의 덮여 있지 않은 부품으로 인한 사고의 위험.
- 맨손으로 톱날 교체 시의 부상 위험.
- 가드를 열 때 손가락이 눌리는 위험.
- 나무, 특히, 오크, 너도밤나무 및 MDF를 톱질할 때 발생하는 먼지를 호흡함으로써 초래되는 건강 상의 위험.

소음 발생에 영향을 주는 요소로는 다음과 같은 것들이 있습니다.

- 절단할 소재
- 톱날의 유형
- 가하는 힘
- 공구 유지 보수

먼지 노출에 영향을 주는 요소로는 다음과 같은 것들이 있습니다.

- 마모된 톱날
- 적어도 20 m/s의 풍속을 내는 먼지 제거기
- 정확하게 가이드되지 않은 작업물

상기 언급한 요인들을 고려했을 경우, 집진 효율성은 통기성이 있는 먼지의 약 95%입니다.

공구에 표시된 마크

공구에는 다음과 같은 그림이 있습니다.



사용 전에 사용 설명서의 내용을 숙지하십시오.



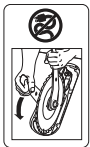
귀 보호 장구를 착용하십시오.



보안경을 착용하십시오.



호흡기 보호 장구를 착용하십시오.



날 교환 또는 유지보수가 필요한 경우 플러그를 콘센트에서 뽑으십시오.



절삭 영역과 날에서 손을 멀리 두십시오.



이동 지점

날짜 코드 위치

날짜 코드에는 제조년도가 포함되어며 케이스에 인쇄되어 있습니다.

예: 2012 XX XX
제조년도

포장 상자의 내용물

포장에는 다음 내용물이 들어 있습니다.

- 부분 조립된 공구 1개
- 립 펜스 어셈블리 1개
- 마이터 펜스 1개
- 톱날 1개
- 상부 날 가드 어셈블리 1개
- 테이블 인서트 1개
- 날 렌치 1개
- 주축 렌치 1개
- 집진 어댑터 1개
- 사용 설명서 1개
- 분해도 1개

- 운반 중에 발생할 수 있는 공구, 부품 또는 액세서리의 손상 여부를 확인하십시오.
- 작동 전에 시간을 내어 본 사용 설명서를 읽고 숙지하십시오.

설명 (그림 A1 - A3)

- A1**
- 1 온/오프 스위치
 - 2 회로 누전 차단기 버튼
 - 3 손 자국 표시
 - 4 테이블
 - 5 동근톱 분할날
 - 6 상부 날 가드
 - 7 테이블 인서트
 - 8 수평 립 펜스
 - 9 립 눈금 표시기
 - 10 미세 조정 노브
 - 11 결합된 엘리베이팅 및 베벨 제어 휠
 - 12 베벨 잠금 레버

- A2**
- 13 리핑 위치 잠금 레버
 - 14 날 렌치 보관
 - 15 푸시 스틱
 - 16 집진 어댑터
 - 17 푯
 - 18 펜스 슬롯

- A3**
- 19 마이터 펜스

용도

DW745 현장 테이블 톱은 나무, 목제품 및 플라스틱의 세로컷기, 교차절단, 베벨링 및 마이터링을 수행할 수 있도록 고안되었습니다. 이 공구는 ø 250 mm의 초경 팁 날과 함께 사용하도록 고안되었습니다.



경고: 의도한 용도 이외의 목적으로 기계를 사용하지 마십시오.

습한 환경이나 가연성 액체 또는 가스가 있는 장소에서 사용하지 마십시오.

이 테이블 톱은 전문가용 전동 공구입니다.

어린이가 이 공구에 만지지 않도록 하십시오. 경험이 없는 작업자가 이 공구를 사용할 때는 감독자의 지도가 필요합니다.

- 이 제품은 신체, 지각 또는 정신 능력이 낮거나 경험 및 지식 또는 기술이 부족한 사람(어린이 포함)이 사용하도록 설계되어 있지 않았습니다. 이러한 사람이 사용할 때는 안전 책임자의 감독이 필요합니다. 이 제품과 함께 어린이만 혼자 두어서는 안됩니다.

전기 안전

전기 모터는 한 가지 전압에만 맞추어 설계되었습니다. 전원이 전동기 네임 플레이트에 기재된 전압과 일치하는지 항상 확인하십시오.



DEWALT 공구는 EN 61029에 따라 이중 절연되어 있습니다. 따라서 접지선이 필요하지 않습니다.

전원 코드가 손상된 경우에는 DEWALT 서비스 센터를 통해 특수 제작된 코드로 교체해야만 합니다.

연장 케이블 이용

연장 케이블이 필요할 경우 이 공구의 전원 입력에 맞는 승인된 3 코어 연장 케이블을 사용하십시오(기술 데이터 참조). 최소 도체 크기는 1.5 mm², 최대 길이는 30 m입니다.

케이블 릴을 사용할 때는 항상 케이블을 완전히 푸십시오.

조립 및 조정



경고: 조립 및 조정하기 전에 항상 공구의 플러그를 빼십시오.

포장 풀기(그림 A1 및 A2)

- 포장재에서 톱을 조심스럽게 분리합니다.
- 공구는 날, 립 펜스, 상부 날 가드 및 테이블 인서트를 제외하고 완전히 조립되어 있습니다.
- 아래 설명한 대로 지시 사항을 따라 조립을 마무리 지으십시오.
- 푸시 스틱(15)을 공구의 오른손 잡이 쪽에 놓지 마십시오(그림 A2).
- 테이블(4)이 모든 방향에서 평평할 때까지 피드(17)를 조정합니다.
- 메인 케이블을 완전히 푸십시오.



경고:

- 항상 사용하지 않을 때는 푸시 스틱을 제자리에 두십시오.
- 사용을 시작하기 전에 메인 콘센트에 플러그를 연결합니다.

톱날 장착(그림 A1, A2 및 B1 - B3)



경고: 공구의 전원이 꺼졌는지 확인하십시오.



경고: 새 톱날의 치는 매우 날카로우므로 위험할 수 있습니다.



경고: 톱날은 이 섹션에서 설명한 대로 교체해야 합니다. 기술 데이터에 지정된 대로만 톱날을 사용하십시오. 저희는 DT4226을 제한합니다. 절대로 다른 톱날을 장착하지 마십시오.

- 제어 휠(11)을 시계 방향으로 돌려서 날 주축을 최대한 올리십시오(그림 A1).
- 그림 B1과 같은 순서로 톱날을 스프링들에 올려 놓습니다. 외부 만조(20)에는 $\varnothing 30$ mm 올려진 돌기가 있어 톱날 구멍 안쪽에 맞습니다. 치가 테이블 앞에서 아래를 향하고 있는지 확인하십시오.
- 개방형 렌치를 사용하여 스프링들을 잡고 주축 렌치를 사용하여 시계 방향으로 돌리기 전에 주축 너트를 조입니다(그림 B2).
- 날을 분리하려면 반대 순서로 진행합니다.

경고: 항상 날을 교환한 후에는 립 펜스 포인터와 등근톱 분할날을 확인하십시오.

톱날 조정(그림 A2 및 B3)

최적의 성능을 위해 톱날은 마이터 슬롯과 평행을 이루어야 합니다.

이는 출고 시에 조정되어 있습니다. 다시 조정하려면:

- 톱을 옆으로 돌려 놓습니다.
- 10 mm 앨런 키를 사용하여, 브라켓 잠금장치(22)를 약간 풀니다(그림 B3).
- 날이 펜스 슬롯(18)과 평행이 될 때까지 브라켓을 조정합니다(그림 A2).
- 브라켓 잠금장치(22)를 11 Nm까지 조입니다(그림 B3).

톱날 높이 조정(그림 A1)

날은 결합된 엘리베이팅 및 베벨 제어 휠을 돌려서 올리고 낮출 수 있습니다.

- 톱을 사용할 때 날의 맨 위쪽 세 개의 치가 작업물의 상부 표면을 뚫고 나아가는지 확인하십시오. 이렇게 하면 최대 수의 치가 최적의 성능을 제공하면서 주어진 시간에 재료를 제거하도록 할 수 있습니다.

등근톱 분할날 장착(그림 A1 및 C)

- 날 높이 조정 휠(11)을 시계 방향으로 돌려서 날 주축을 최대한 올리십시오(그림 A1).
- 제공된 렌치를 사용하여 잠금 볼트(24)를 몇 바퀴만 풀어 줍니다(그림 C).
- 볼트(24)를 안쪽으로 계속 돌려 용수철이 든 클램프 기구를 해제합니다.
- 슬롯(25)을 볼트(24)에 정렬하고 슬롯의 상부가 노브에 안착될 때까지 등근톱 분할날을 끼웁니다.
- 볼트(24)를 풀고 제공된 렌치를 사용하여 단단히 조입니다.



경고:

- 올바르게 정렬되면, 등근톱 분할날이 테이블 상단에 있는 날 및 날의 상단에서 일직선을 이룰 것입니다. 모든 베벨 및 날 높이 위치에서 직선자를 사용하여 확인하십시오.
- 권장되는 위치 외의 위치에서 등근톱 분할날을 고정하려고 하지 마십시오. 등근톱 분할날과 날의 틈간의 거리가 최소한 2.0 mm이어야 합니다.
- 등근톱 분할날의 상부 날 가드(6)의 정확한 장착 및 정렬은 안전한 조작에 필수적입니다!
- 2.3 mm 두께로 제공되는 사양에 다른 등근톱 분할날을 고정할 수 없습니다.

작업대에 고정하기(그림 A2)

- 각 측면(17) 피트 사이의 공구 프레임에 두 개의 구멍이 있어 작업대에 고정할 수 있도록 합니다. 구멍을 대각선으로 사용하십시오.
- 취급을 개선하기 위해 공구를 15 mm 두께의 합판 조각에 고정합니다.

- 사용 시에는 합판을 작업대에 고정할 수 있습니다. 이렇게 하면 클램프를 해제하여 공구 운반을 더 간편하게 할 수 있습니다.

테이블 인서트 장착(그림 D)

- 그림과 같이 테이블 인서트(7)를 정렬하고 테이블 인서트의 뒤쪽 탭을 테이블의 뒤쪽의 구멍에 끼웁니다.
- 테이블 인서트의 앞쪽을 아래로 누릅니다.
- 테이블 인서트의 앞쪽은 테이블 상단과 높이가 같거나 약간 아래에 있어야 합니다. 뒤쪽은 테이블 상단과 높이가 같아야 합니다. 네 개의 조정 나사(26)를 사용하여 조정합니다.
- 잠금 나사(그림 D의 인서트 참조)를 시계 방향으로 90° 도 돌려 테이블 인서트를 제자리에 고정합니다.

경고: 절대로 테이블 인서트 없이 공구를 사용하지 마십시오. 마모되었거나 손상된 경우 테이블 인서트를 즉시 교체하십시오.

상부 날 가드 장착(그림 E)

- 볼트(27)로 등근톱 분할날(5)에 가드(6)를 조입니다.
- 와셔(28 및 29) 및 워너트(30)를 볼트의 다른 쪽 끝에 놓고 조입니다.

수평 펜스 장착 및 조정(그림 A1, F1 및 F2)

립 펜스(8)는 테이블 톱의 왼쪽 또는 오른쪽에 설치할 수 있습니다.

- 립 펜스에서 슬롯(32)이 있는 나사의 위치를 찾습니다.
- 양쪽 잠금 버튼(33)을 제자리에 끼워서 립 펜스를 고정합니다.

펜스를 날과 평행이 되도록 조정하기

펜스는 공장 출고 시 설정되어 있습니다. 다시 조정해야 할 경우 다음 절차를 따르십시오.

- 톱날을 가장 높은 위치로 설정합니다.
- 상부 날 가드(6)를 제거합니다.
- 베벨 각도를 0° 로 설정합니다.
- 레일 잠금 레버(13)를 풀니다.
- 날과 닿을 때까지 펜스(8)를 이동합니다.
- 펜스가 날과 평행을 이루는지 확인하십시오.
- 조절이 필요하다면 다음 절차를 따르십시오.
- 앨런 키를 사용해서, 펜스가 펜스 레일에 위치하도록 조정 나사(31)를 풀니다.
- 펜스가 날과 평행을 이루도록 조정합니다.
- 조정 나사를 조입니다.
- 레일 잠금 레버를 잠그고 펜스가 날과 평행을 이루는지 확인하십시오.
- 조정 후에 날 가드를 교체하십시오.



경고: 피니언 베어링 어셈블리에서 이동할 공간이 충분하지 않은 경우, 공인 DEWALT 수리점에 공구를 맡기십시오.

립 눈금 조정하기

펜스를 날의 오른쪽에 장착했을 경우에만 립 눈금이 정확하게 판독됩니다.

- 펜스가 날을 터치할 때 포인터(9)가 0을 나타내는지 확인하십시오. 포인터가 정확하게 0을 가리키지 않을 경우, 나사(34)를 풀고, 포인터를 0 위치로 이동하고 나사를 조입니다.

베벨 스톱 및 포인터 조정(그림 G1 및 G2)

- 톱날을 가장 높은 위치로 설정합니다.
- 위와 오른쪽으로 밀어서 베벨 잠금 레버(12)를 풀니다.
- 베벨 스톱 나사(35)를 풀니다.
- 테이블에 삼각자(36)를 놓고 날(37)과 직각이 되도록 놓으십시오.
- 날이 삼각자와 평평해 질 때까지 베벨 잠금 레버(12)를 사용하여 베벨 각도를 조정하십시오.
- 레일 잠금 레버(12)를 조입니다.
- 베어링 블록과 완전히 닿을 때까지 베벨 스톱 캠(38)을 돌립니다.
- 베벨 각도 눈금을 확인합니다. 조절이 필요할 경우, 포인터 나사(39)를 풀고 포인터를 0°로 설정합니다.

- 포인터 나사(39)를 조입니다.
- 45° 베벨 스톱의 경우 45° 에서 위 절차를 반복하되, 포인터를 조정하지 마십시오.

미이터 펜스 조정(그림 H)

- 날의 왼쪽 슬롯에 미이터 펜스(19)를 설치합니다.
- 잠금 노브(40)를 풉니다.
- 삼각자(36)가 펜스 면(41)과 날에 직각이 되도록 놓으십시오.
- 포인터(42)가 눈금에서 90° 를 나타내는지 확인하십시오. 포인터가 정확하게 90° 을 가리키지 않을 경우, 나사(43)를 풀고, 포인터를 90° 위치로 이동하고 나사를 조입니다.

작동

사용 지침



경고:

- 항상 안전 지시 사항과 해당 규정을 준수하십시오.
- 작업대 높이와 안정성 면에서 공구가 인체공학적 조건을 충족시키는 위치에 놓였는지 확인하십시오. 어떠한 제약 사항 없이 작업물을 취급할 수 있도록 작업자가 전체적으로 잘 볼 수 있고 기계 주변에 충분히 여유로운 공간이 있도록 기계 위치를 선택해야 합니다.
- 적절한 톱날을 설치하십시오. 지나치게 마모된 날을 사용하지 마십시오. 공구의 최대 회전 속도는 톱날의 최대 회전 속도를 초과해서는 안됩니다.
- 지나치게 작은 조각을 절단하려고 하지 마십시오.
- 날이 자유자재로 절단할 수 있어야 합니다. 힘을 주지 마십시오.
- 절단 전에 모터가 최대 속도에 도달할 수 있어야 합니다.
- 모든 잠금 노브와 클램프 핸들이 조여졌는지 확인하십시오.

영국의 사용자는 “1974년 목공 기계 규정” 과 이후의 개정 내용에 주의를 하여야 합니다.

- 톱이 전원 장치에 연결되어 있을 때는 톱날 부근에 손을 두지 마십시오.
- 손으로만 그린 절단을 위해 톱을 사용하지 마십시오!
- 비뿔어지고, 굽거나 찌그러진 모양의 작업물을 톱질하지 마십시오. 림 펜스 또는 미이터 펜스에 배치되는 최소 한 개의 일직선의 부드러운 면이 있어야 합니다.
- 항상 긴 작업물을 지지하여 반동을 방지하십시오.
- 날이 작동하고 있을 때 톱날 부근에서 절단된 부분을 제거하지 마십시오.

전원 켜기 및 끄기(그림 A1)

- 공구 스위치를 켜려면 녹색 시작 버튼을 누릅니다.
- 공구 스위치를 끄려면 적색 정지 버튼을 누릅니다.

참고: 스위칭은 일시적 전압 변동을 초래할 수 있습니다. 순조롭지 않은 조건에서는 다른 가전의 공개된 저전압 공급 시스템 장애가 발생할 수 있습니다. 임피던스가 0.262 Ohm 미만일 경우 장애가 발생하지 않을 것입니다.

이러한 전동 공구에 사용되는 콘센트는 비활성의 16 암페어 차단으로 퓨즈되어야 합니다.

기본적인 톱 절단

- 항상 등근톱 분할날을 사용하십시오.
- 항상 등근톱 분할날과 날 가드가 정확하게 맞추어졌는지 확인하십시오.

리핑(그림 A1 및 I)



경고: 날카로운 가장자리.

- 베벨 각도를 0° 로 설정하십시오.
- 톱날 높이를 조정하십시오. 정확한 날의 위치는 나무의 상단 면을 통해 튀어나오는 세 개의 치 끝이 있어야 합니다. 필요에 따라 상부 날 가드의 높이를 조정하십시오.
- 수평 펜스가 필요한 지점에 있도록 설정합니다.
- 등근톱 분할날의 뒤쪽과 L 모양의 펜스 측면(48) 레벨의 위치를 조정합니다. 자재의 넓은 쪽을 떼어낼 때, L 모양의 펜스 측면(48)을 펜스의 주 부분에서 밀어 내고 수직으로 180° 돌리고 교체하여 추가적인 지지를 제공합니다.
- 작업물을 테이블과 펜스에서 평평하게 고정하십시오. 작업물에 톱날이 닿지 않도록 하십시오.
- 양손은 톱날의 경로에서 멀리 두십시오.
- 공구 스위치를 켜고 톱날이 최대 속도에 도달하도록 하십시오.
- 가드 아래로 작업물을 천천히 공급하고 림 펜스에 대해 단단히 누르십시오. 치가 절단되도록 하고 날을 통해 작업물에 힘을 가하지 마십시오. 날 속도는 일정하게 유지해야 합니다.
- 날과 가까워지면 푸시 스틱(15)을 사용하는 것을 잊지 마십시오.
- 절단을 완료하면 공구 스위치를 끄고 날이 정지하도록 한 다음 작업물을 분리하십시오.



경고:

- 절대로 작업물의 “막혀 있지 않은” 또는 절삭된 쪽을 누르거나 잡지 마십시오.
- 지나치게 작은 작업물을 절단하지 마십시오.
- 항상 작은 작업물을 리핑할 때는 푸시 스틱을 사용하십시오.

사선 절단

- 필요한 베벨 각도를 설정합니다.
- 리핑 절차와 동일하게 진행하십시오.

교차 절단(그림 J)

- 림 펜스를 분리하고 원하는 슬롯에 미이터 펜스를 설치하십시오.
- 미이터 펜스를 0° 에서 잠급니다.
- 베벨 각도를 0° 로 설정하십시오.
- 톱날 높이를 조정하십시오.
- 작업물을 테이블과 펜스에서 평평하게 고정하십시오. 작업물에 톱날이 닿지 않도록 하십시오.
- 양손은 톱날의 경로에서 멀리 두십시오.
- 공구 스위치를 켜고 톱날이 최대 속도에 도달하도록 하십시오.
- 펜스에 대해 작업물을 꼭 잡고 작업물이 상부 날 가드 아래로 올 때까지 펜스 어셈블리와 함께 작업물을 천천히 이동합니다. 치가 절단되도록 하고 톱날을 통해 작업물에 힘을 가하지 마십시오. 톱날 속도는 일정하게 유지해야 합니다.
- 절단을 완료하면 공구 스위치를 끄고 톱날이 정지하도록 한 다음 작업물을 분리하십시오.

베벨 교차 절단

- 필요한 베벨 각도를 설정합니다.
- 교차 절단과 동일하게 진행하십시오.

미이터 절단

- 미이터 펜스를 필요한 각도로 설정합니다.
- 교차 절단과 동일하게 진행하십시오.

컴파운드 미이터

이 절단은 미이터와 베벨 절단을 합한 것입니다.

- 베벨 각도를 원하는 대로 설정하고 교차 절단 미이터와 같이 진행하십시오.

긴 조각으로 지지

- 항상 긴 조각으로 지지합니다.
- 톱질모양 또는 유사한 장치 등의 편리한 수단을 사용하여 긴 작업물을 지지해 끝 쪽이 떨어지지 않도록 하십시오.

집진(그림 A2)

공구에는 57/65 mm 노즐의 집진 장비와 함께 사용하기에 적합하도록 공구(16) 뒤쪽에 집진 포트가 있습니다. 공구와 함께 제공된 34-40 mm 직경의 집진 노즐 사용을 위해 리듀서 포트가 있습니다.

- 모든 작업 중에 먼지 배출에 관련된 관련 규정에 따라 설계된 집진 장치를 연결합니다.
- 사용 중인 집진 호스가 절단되고 있는 용도 및 재료에 적합하지 확인하십시오.
- 클립보드 또는 MDF와 같은 사람이 만든 자재는 절단 시 자연목보다 더 많은 먼지 입자를 발생시킵니다.

선택 액세서리



경고: DeWALT에서 제공하지 않은 액세서리는 본 제품에서 테스트되지 않았으므로 본 제품에서 이러한 액세서리를 사용하면 위험할 수 있습니다. 신체 부상의 위험을 줄이려면 본 제품에 DeWALT 권장 액세서리만 사용해야 합니다.

톱날: 항상 30 mm 주축 구멍이 있는 250 mm 소음 감소 톱날을 사용하십시오. 정격 톱날 속도는 최소한 4000 RPM이 되어야 합니다. 더 작은 직경의 날을 사용하지 마십시오. 제대로 보호되지 않습니다.

톱날 설명		
용도	직경	치
건축용 톱날 (단식 립)		
일반 용도	250 mm	24
미세 크로스컷	250 mm	40
목공 톱날 (매끄럽고 깨끗한 절단면 제공)		
미세 크로스컷	250 mm	60

마모된 경우 상부 가드(부품 번호: 247678-02)를 교체하십시오. 해당 액세서리에 대한 자세한 정보는 판매 대리점으로 문의하십시오.

운반(그림 A1)

- 메인 케이블을 정돈하십시오.
- 항상 손 자극 표시(3) 지점을 잡고 공구를 운반하십시오.



경고: 항상 상부 날 가드를 장착한 상태에서 기기를 운반하십시오.

유지 보수

DeWALT 공구는 최소한의 유지 보수로 장기간에 걸쳐 작업이 가능하도록 설계되어 있습니다. 만족스러운 연속 작동은 적절한 공구 관리와 정기적인 청소에 따라 그 성능이 달라질 수 있습니다.

레일 잠금 조정(그림 A2 및 K)

레일 잠금 펜스는 공장 출고 시 설정되어 있습니다. 다시 조정해야 할 경우 다음 절차를 따르십시오.

- 톱을 옆으로 돌려 놓습니다.
- 잠금 레버(13)를 잠급니다.
- 공구 아래 쪽에서 육각 봉(44)의 위치를 찾습니다(그림 K).
- 고정 너트(45)를 풀습니다. 잠금 시스템의 스프링이 레일 잠금 레버에 원하는 장력을 만들면서 압축될 때까지 육각 봉을 조입니다. 육각 봉에 대해 잼 너트를 다시 조입니다.



윤활방법

모터 및 베어링은 별도의 윤활 작업이 필요하지 않습니다. 날 올리기와 내리기가 힘든 경우, 높이 조정 나사를 청소하고 윤활하십시오.

- 톱을 옆으로 돌려 놓습니다.
- 높이 조정 나삿니를 닦고 그리스를 바릅니다. 일반용 그리스를 사용하십시오.



청소



경고: 심각한 신체 부상의 위험을 줄이려면 청소하기 전에 공구의 전원을 끄고 기기를 전원에서 분리하십시오. 공구가 갑자기 작동하여 부상을 당할 수 있습니다.

사용하기 전에 상부 및 하부 가드뿐만 아니라 집진 튜브를 주의 깊게 검사하여 올바르게 작동되는지 알아보십시오. 조각, 먼지 또는 작업물 입자가 기능 중 하나의 장애로 이어질 수 있는지 확인하십시오.

작업물의 파편이 톱날과 가드 사이에 끼인 경우에는, 기계의 전원 공급을 차단하고 톱날 장착 섹션에 제공된 지침을 따르십시오. 움직이지 않는 부품을 제거하고 톱날을 재조립합니다.

환기구를 깨끗하게 유지하고 정기적으로 부드러운 헝겊으로 하우징을 청소하십시오.

집진 장치를 주기적으로 청소하십시오(그림 L):

- 톱을 옆으로 돌려 놓습니다.
- 나사를 제거합니다(46) (그림 L).
- 모든 먼지를 제거하고 나사를 접근 도어(47)를 다시 고정합니다(그림 L).

환경 보호



분리 수거. 본 제품을 일반 가정용 쓰레기로 처리하면 안됩니다.

DeWALT 제품을 교체해야 하거나 더 이상 쓸모가 없어졌다고 판단될 때는 본 제품을 가정용 쓰레기와 함께 처리하지 마십시오. 이 제품은 분리 수거하십시오.



사용하던 제품과 포장을 분리 수거하면 자원을 재활용 및 재사용할 수 있습니다. 재활용 자원을 이용하면 환경 오염이 방지되고 고철 자원에 대한 수요를 줄일 수 있습니다.

지역에 따라 가정용 가전제품을 분리 수거하는 규정이 마련되어 있거나 새로운 제품을 구입할 때 판매점에서 폐기 방법을 알려줄 수 있습니다.

DeWALT는 사용이 끝난 DeWALT 제품을 수집하여 재활용하기 위한 시설을 운영하고 있습니다. 이 서비스를 활용하려면 당사가 폐제품 수거를 위임한 공인 수리 대리점에 제품을 반환해 주십시오.

본 사용 설명서에 기재된 연락처로 가까운 DeWALT 영업소에 연락하면 가까운 공인 수리 대리점 위치를 확인할 수 있습니다. 또는 다음 웹 사이트를 방문하여 DeWALT 공인 수리 대리점 목록과 A/S 및 연락처 등 자세한 정보를 찾아볼 수 있습니다. www.dewalt.co.kr