
DEWALT®

www.DEWALT.com

D28720

English (<i>original instructions</i>)	3
한국어	10
BAHASA INDONESIA	17
ภาษาไทย	25
TIẾNG VIỆT	33
繁體中文	40

0000 00-00 FIG.1

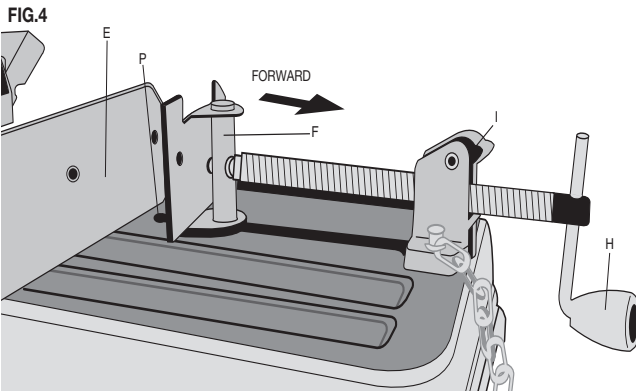
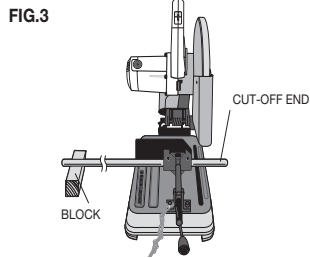
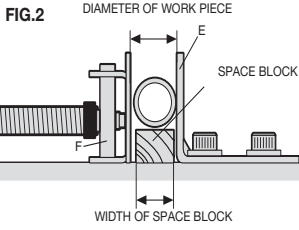
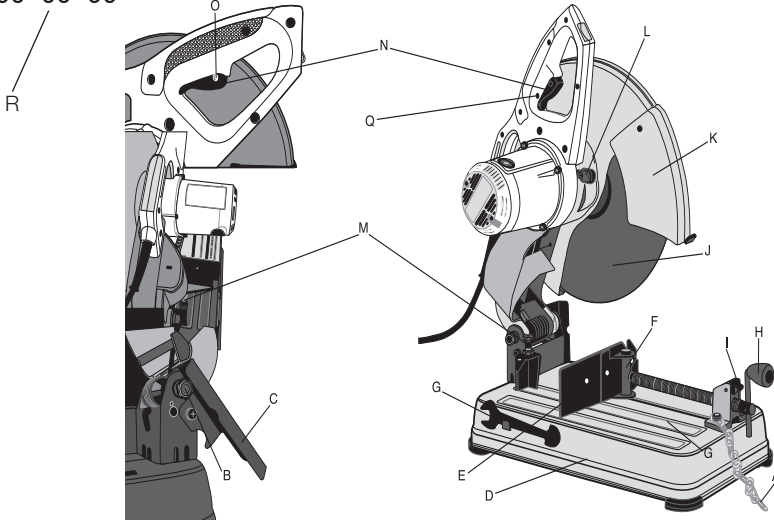


FIG.5

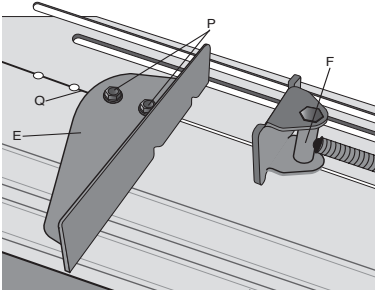


FIG.6

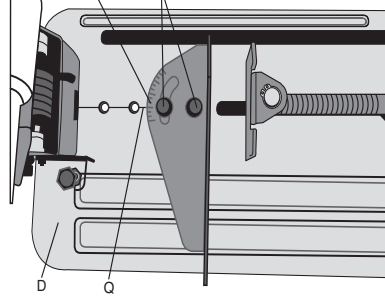


FIG.7

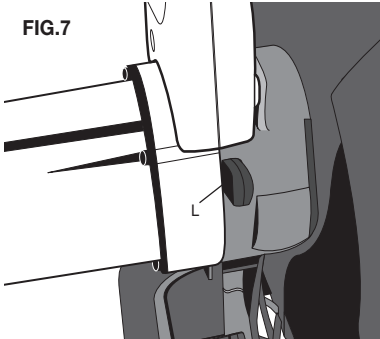


FIG.8

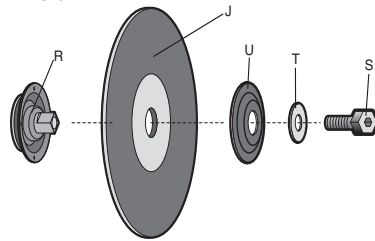
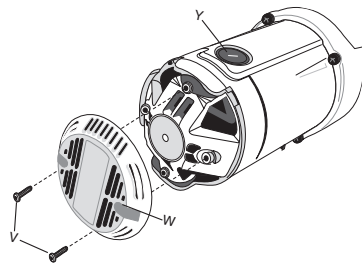
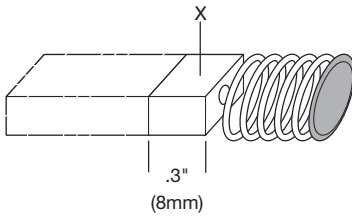


FIG.9



CHOP SAW

D28720

Congratulations!

You have chosen a DEWALT tool. Years of experience, thorough product development and innovation make DEWALT one of the most reliable partners for professional power tool users.

Technical Data

		D28720-B1	D28720-XD
Voltage	V	220-240	220-240
Power input	W	2200	2300
Frequency	Hz	50/60 Hz	50/60 Hz
No-load speed	/min	3800	3800
Wheel diameter	mm	355	355
Wheel thickness	mm	2.8	2.8

Definitions: Safety Guidelines

The definitions below describe the level of severity for each signal word. Please read the manual and pay attention to these symbols.



DANGER: Indicates an imminently hazardous situation which, if not avoided, **will** result in **death or serious injury**.



WARNING: Indicates a potentially hazardous situation which, if not avoided, **could** result in **death or serious injury**.



CAUTION: Indicates a potentially hazardous situation which, if not avoided, **may** result in **minor or moderate injury**.

NOTICE: Indicates a practice **not related to personal injury** which, if not avoided, **may** result in **property damage**.



Denotes risk of electric shock.



Denotes risk of fire.



WARNING: To reduce the risk of injury, read the instruction manual.

General Power Tool Safety Warnings



WARNING! Read all safety warnings and all instructions. Failure to follow the warnings and instructions may result in electric shock, fire and/or serious injury.

SAVE ALL WARNINGS AND INSTRUCTIONS FOR FUTURE REFERENCE

The term "power tool" in the warnings refers to your mains-operated (corded) power tool or battery-operated (cordless) power tool.

1) WORK AREA SAFETY

- Keep work area clean and well lit.** Cluttered or dark areas invite accidents.
- Do not operate power tools in explosive atmospheres, such as in the presence of flammable liquids, gases or dust. Power tools create sparks which may ignite the dust or fumes.
- Keep children and bystanders away while operating a power tool.** Distractions can cause you to lose control.

2) ELECTRICAL SAFETY

- Power tool plugs must match the outlet. Never modify the plug in any way. Do not use any adapter plugs with earthed (grounded) power tools.** Unmodified plugs and matching outlets will reduce risk of electric shock.
- Avoid body contact with earthed or grounded surfaces such as pipes, radiators, ranges and refrigerators.** There is an increased risk of electric shock if your body is earthed or grounded.
- Do not expose power tools to rain or wet conditions.** Water entering a power tool will increase the risk of electric shock.
- Do not abuse the cord. Never use the cord for carrying, pulling or unplugging the power tool. Keep cord away from heat, oil, sharp edges or moving parts.** Damaged or entangled cords increase the risk of electric shock.
- When operating a power tool outdoors, use an extension cord suitable for outdoor use.** Use of a cord suitable for outdoor use reduces the risk of electric shock.
- If operating a power tool in a damp location is unavoidable, use a residual**

current device (RCD) protected supply.
Use of an RCD reduces the risk of electric shock.

3) PERSONAL SAFETY

- a) **Stay alert, watch what you are doing and use common sense when operating a power tool. Do not use a power tool while you are tired or under the influence of drugs, alcohol or medication.** A moment of inattention while operating power tools may result in serious personal injury.
- b) **Use personal protective equipment. Always wear eye protection.** Protective equipment such as dust mask, non-skid safety shoes, hard hat, or hearing protection used for appropriate conditions will reduce personal injuries.
- c) **Prevent unintentional starting. Ensure the switch is in the off position before connecting to power source and/or battery pack, picking up or carrying the tool.** Carrying power tools with your finger on the switch or energising power tools that have the switch on invites accidents.
- d) **Remove any adjusting key or wrench before turning the power tool on.** A wrench or a key left attached to a rotating part of the power tool may result in personal injury.
- e) **Do not overreach. Keep proper footing and balance at all times.** This enables better control of the power tool in unexpected situations.
- f) **Dress properly. Do not wear loose clothing or jewellery. Keep your hair, clothing and gloves away from moving parts.** Loose clothes, jewellery or long hair can be caught in moving parts.
- g) **If devices are provided for the connection of dust extraction and collection facilities, ensure these are connected and properly used.** Use of dust collection can reduce dust-related hazards.

4) POWER TOOL USE AND CARE

- a) **Do not force the power tool. Use the correct power tool for your application.** The correct power tool will do the job better and safer at the rate for which it was designed.
- b) **Do not use the power tool if the switch does not turn it on and off.** Any power tool that cannot be controlled with the switch is dangerous and must be repaired.
- c) **Disconnect the plug from the power source and/or the battery pack from the power tool before making any**

adjustments, changing accessories, or storing power tools. Such preventive safety measures reduce the risk of starting the power tool accidentally.

- d) **Store idle power tools out of the reach of children and do not allow persons unfamiliar with the power tool or these instructions to operate the power tool.** Power tools are dangerous in the hands of untrained users.
- e) **Maintain power tools. Check for misalignment or binding of moving parts, breakage of parts and any other condition that may affect the power tool's operation. If damaged, have the power tool repaired before use.** Many accidents are caused by poorly maintained power tools.
- f) **Keep cutting tools sharp and clean.** Properly maintained cutting tools with sharp cutting edges are less likely to bind and are easier to control.
- g) **Use the power tool, accessories and tool bits etc., in accordance with these instructions taking into account the working conditions and the work to be performed.** Use of the power tool for operations different from those intended could result in a hazardous situation.

5) SERVICE

- a) **Have your power tool serviced by a qualified repair person using only identical replacement parts.** This will ensure that the safety of the power tool is maintained.

Additional Safety Instructions for Chopsaws

- **Always wear proper eye and respiratory protection.**
- **Before using, inspect the cutting wheel for cracks or flaws. If such a crack or flaw is evident, discard the wheel. The wheel should also be inspected whenever you think the tool may have been dropped. Flaws may cause wheel breakage.**
- **When starting the tool with a new or replacement wheel or if you are unsure of the condition of the wheel, hold the tool in a well protected area and let it run for one minute. If the wheel has an undetected crack or flaw, it should burst in less than one minute. Never start the tool with a person in line with the wheel. This includes the operator.**
- **In operation, avoid bouncing the wheel or giving it rough treatment. If this occurs, stop**

the tool and inspect the wheel for cracks or flaws.

- Clean your chop saw periodically following the procedure in this manual.
- Do not remove wheel guards or base.
- **ALWAYS USE THE VISE OR SPECIAL FIXTURE TO CLAMP WORK SECURELY.** Other aids such as spring, bar, or C-clamps may be appropriate for certain sizes and shapes of workpiece. Use care in selecting and placing these clamps and make a dry run before making a cut.
- Use only 14" type 1 wheels rated at 4100 rpm or higher.
- Allow cut off parts to cool before handling.
- Do not attempt to cut wood or plastic with this tool.
- **NEVER CUT MAGNESIUM WITH THIS TOOL.**
- Use chop saw in a well-ventilated area.
- Turn chop saw off before removing any pieces from the base.
- **DO NOT CUT ELECTRICALLY LIVE MATERIAL.**
- Do not use circular saw blades or any other toothed blades with this tool. Serious injury may result.
- **DO NOT OPERATE THIS TOOL NEAR FLAMMABLE LIQUIDS, GASES OR DUST.** Sparks or hot chips from cutting or arcing motor brushes may ignite combustible materials.
- Warning to ensure that the abrasive cutting-off wheel is correctly fitted and tightened before use including an instruction to run the machine at no-load for 30 s in a safe position, and to stop immediately and replace the cutting-off wheel if there is considerable vibration.
- Do not use the side of the abrasive wheel as a deburring grinder. This will substantially weaken the wheel creating an unsafe condition. The wheel may come apart.



CAUTION: Wear appropriate hearing protection during use. Under some conditions and duration of use, noise from this product may contribute to hearing loss.



CAUTION: Spark deflector will get hot. Avoid touching or adjusting while hot. Keep cordset and materials away from spark deflector.

- Avoid prolonged contact with dust from

power sanding, sawing, grinding, drilling, and other construction activities. Wear protective clothing and wash exposed areas with soap and water. Allowing dust to get into your mouth, eyes, or lay on the skin may promote absorption of harmful chemicals.



WARNING: Always use NIOSH/ OSHA approved respiratory protection appropriate for the dust exposure. Direct particles away from face and body. For your convenience and safety, the following warnings are on your Heavy-Duty 14" (355mm) Chop Saw:



FOR SAFE OPERATION READ THE INSTRUCTION MANUAL.

- **DO NOT USE TOOTHED BLADES.**
- **USE ONLY REINFORCED WHEELS RATED 4100 RPM OR HIGHER.**
- **WHEN SERVICING USE ONLY IDENTICAL REPLACEMENT PARTS.**
- **ALWAYS: WEAR EYE PROTECTION, USE GUARDS, CLAMP WORK IN VISE, USE PROPER RESPIRATORY PROTECTION.**
- **DO NOT EXPOSE TO RAIN OR USE IN DAMP LOCATIONS.**
- **ONLY USE CHOP SAW WHEEL OF A MAX. THICKNESS OF 2.8MM AND A MAX. DIAMETER OF 355mm.**

Residual Risks

- The following risks are inherent to the use of these machines:
 - Injuries caused by touching the rotating parts.
 - Injuries caused by disruption of the cutting disc.
- These risks are most evident:
 - Within the range of operation.
 - Within the range of the rotating machine parts.
- In spite of the application of the relevant safety regulations and the implementation of safety devices, certain residual risks cannot be avoided. These are:
 - Impairment of hearing.
 - Risk of accidents caused by the uncovered parts of the rotating cutting disc.
 - Risk of injury when changing the disc.
 - Risk of squeezing fingers when opening the guards.

Markings on Tool

The following pictograms are shown on the tool:



Read instruction manual before use.



Wear eye protection.



Wear ear protection.



Bore diameter.

DATE CODE POSITION

The date code (R), which also includes the year of manufacture, is printed into the housing surface that forms the mounting joint between tool and battery.

Example:

2014 XX XX

Year of Manufacture

Package Contents

The package contains:

- 1 Chop saw
- 1 Wrench
- 1 Instruction manual

- Check for damage to the tool, parts or accessories which may have occurred during transport.
- Take the time to thoroughly read and understand this manual prior to operation.

Description (fig. 1,4)



WARNING: Never modify the power tool or any part of it. Damage or personal injury could result.

- A. Lock Chain
- B. Spark Deflector Screw
- C. Spark Deflector
- D. Base
- E. Fence
- F. Vise
- G. Flat Wrench
- H. Crank
- I. Vise Level
- J. Wheel
- K. Guard

- L. Spindle Lock
- M. Depth Stop Bolt and Jam Nut
- N. Trigger Switch
- O. Padlock Hole
- P. Fence Bolts
- Q. Lock on Switch

INTENDED USE

Your D28720 chop saw has been designed for the cutting of variously shaped steel materials.

DO NOT use under wet conditions or in presence of flammable liquids or gases.

The D28720 chop saw is a professional power tool.

DO NOT let children come into contact with the tool. Supervision is required when inexperienced operators use this tool.

Electrical Safety

The electric motor has been designed for one voltage only. Always check that the power supply corresponds to the voltage on the rating plate.



Your DEWALT tool is double insulated; therefore no earth wire is required.

If the supply cord is damaged, it must be replaced by a specially prepared cord available through the DEWALT service organisation.

Using an Extension Cable

If an extension cable is required, use an approved 3-core extension cable suitable for the power input of this tool (see **Technical Data**). The minimum conductor size is 1.5 mm²; the maximum length is 30 m.

When using a cable reel, always unwind the cable completely.

Connecting to the Mains

The mains supply to be used for this machine must be equipped with a 16 A cut-out fuse with time delay.

Voltage Drops

Inrush currents cause short-time voltage drops. Under unfavourable power supply conditions, other equipment may be affected.

If the system impedance of the power supply is lower than 0.11 Ω, disturbances are unlikely to occur.

POWER SUPPLY

Be sure your power supply agrees with the nameplate marking. A voltage decrease of more than 10% will cause a loss of power and overheating.

CUTTING CAPACITY

The wide vise opening and high pivot point provide cutting capacity for many large pieces. Use the cutting capacity chart to determine total maximum size of cuts that can be made with a new wheel.



CAUTION: CERTAIN LARGE, CIRCULAR OR IRREGULARLY SHAPED OBJECTS MAY REQUIRE ADDITIONAL HOLDING MEANS IF THEY CANNOT BE HELD SECURELY IN VISE.



CAUTION: DO NOT CUT MAGNESIUM WITH THIS TOOL.

Maximum Cutting Capacity

NOTE: Capacity shown on chart assumes no wheel wear and optimum fence position.

Workpiece Shape:				
90° Cutting Angle	A = 4-7/8" (125mm)	A = 4-1/2" (115mm)	4-1/2" x 5-1/8" (115mm x 130mm) 4" x 7-5/8" (102mm x 188mm) 3" x 7-3/8" (76mm x 229mm)	A = 4-1/2" x 5-3/8" (115mm x 137mm)
45° Cutting Angle	A = 4-1/2" (115mm)	A = 3-13/16" (98mm)	4-1/2" x 3-13/16" (115mm x 95mm) 4-1/8" x 3-3/4" (105mm x 95mm)	A = 3-13/16" (95mm)

Use

To Carry (fig. 1)

Fold down unit to position where you can carry the saw. Push in lock chain (A) to lock arm down. Installing tool rest (fig.3)

UnLocking (fig. 1)

To unlock tool and raise head, depress motor arm slightly and pull lock chain (A) out. Motor arm will then pivot upward.

Spark Deflector Adjustment (fig. 1)

To best deflect sparks away from surrounding persons and materials, loosen the screw (B), adjust the spark deflector (C) and then retighten screw. Do not allow cordset to come into contact with deflector or sparks as damage to cordset may occur.

Depth Stop (fig. 1)

Depth stop is set at the factory for a new 14" wheel to prevent wheel from cutting into the supporting surface. To allow more depth of cut, use the flat wrench provided (G) to loosen the depth stop bolt (M) and raise bolt to desired height and then turn jam nut (M) clockwise until seated firmly on the casting. Securely tighten the depth stop bolt before use.



CAUTION: When changing to a new wheel, readjust depth stop to original position to prevent cutting into supporting surface.

Trigger Switch (fig. 1)

To start the tool, depress the trigger switch (N). To turn the tool off, release the trigger switch. Keep hands and material from wheel until it has coasted to a stop. To prevent unauthorized use of tool, install a standard padlock (not included) into the padlock hole (O) located in the trigger.

Material Clamping and Supporting

- Angles are best clamped and cut with both legs resting against base.
- A spacer block slightly narrower than the work piece can be used to increase wheel utilization (Fig. 2).
- Long work pieces must be supported by a block so it will be level with top of base (Fig. 3). The cut off end should be free to fall downward to avoid wheel binding.

Vise Operation (fig. 4)

The vise (F) has a quick-travel feature. To release the vise when it is clamped tightly, turn the crank (H) counter-clockwise one or two times to remove clamping pressure. Lift vise lever (I) up. Pull crank assembly out as far as desired. Vise may be pushed forward into work without cranking. Lower vise lever (I) then tighten vise (F) on work by using crank (H).

Fence Operation (fig. 5, 6)

CAUTION: Turn off and unplug the tool before making any adjustments or removing or installing attachments or accessories. Be sure the trigger switch is in the OFF position. The fence (E) can be adjusted two ways: to change desired cutting angle and to change spacing between the fence and vise.

To Change the Desired Cutting Angle

Use the wrench provided to loosen (do not remove) the two fence bolts (P). Align the desired angle indicator line with the slot line (Q) in the base (D). Securely tighten both fence bolts before use. For more accurate square cuts, disconnect the power supply, loosen the two fence bolts, push arm down until wheel extends into base. Place a square against the wheel and adjust fence against the square. Securely tighten both fence bolts before use. When making a miter cut, the vise (F) may not clamp securely, depending on the thickness of the workpiece and the miter angle. Other aids (such as spring, bar or C-clamps) will be necessary to secure the work piece to the fence when making these cuts.

To Change Spacing Between The Fence and Vise

Using the wrench provided, loosen and remove the two fence bolts (P). Adjust the fence (E) to desired locations. Insert both fence bolts in provided locations. Securely tighten both fence bolts before use.

Removal and Installation of Wheels (fig. 7, 8)



CAUTION: Turn off and unplug the tool before making any adjustments or removing or installing attachments or accessories. Be sure the trigger switch is in the OFF position. Do not make any adjustment while the wheel is in motion. Do not make any adjustment while chop saw is plugged into power supply.

1. Push in spindle lock (L) and rotate wheel (J) by hand until wheel lock lever engages slot in inside flange (R) to lock wheel. Loosen the bolt (S) counterclockwise in the center of the abrasive wheel with the 8mm hex wrench (G). Bolt has right-hand thread.
2. Remove the bolt (S), washer (T), outside flange (U) and old wheel (J).

3. Make sure flange surfaces are clean and flat. Install the new abrasive wheel by reversing the above steps.

4. Do not overtighten bolt.



WARNING: Check the work surface that the chop saw rests on when replacing with a new abrasive wheel. It is possible that the wheel may contact **ANY ITEMS OR STRUCTURE THAT EXTENDS ABOVE** work surface (under the base) when the arm is fully lowered.

OPERATION TIPS FOR MORE ACCURATE CUTS

- Allow the wheel to do the cutting. Excessive force will cause the wheel to glaze reducing cutting efficiency and/or to deflect causing inaccurate cuts.
- Properly adjust fence angle.
- Make sure material is laying flat across base.
- Properly clamp material to avoid movement and vibration.

MOTOR BRUSH INSPECTION AND REPLACEMENT (FIG.9)



WARNING: Turn off and unplug the tool. Be sure the trigger switch is in the OFF position. Brushes should be regularly inspected for wear. To inspect brushes, unscrew the two end cap screws (V) and remove end cap (W). Remove brush cap (Y). Brushes (X) should slide freely in brush box. If brushes are worn down to .3" (8mm) as shown in Figure 9 they should be replaced. To reinstall, push new brush back into brush box. If replacing existing brush, maintain same orientation as when removed. Replace the brush cap (do not overtighten). Replace end cap and two screws. Tighten securely.

MAINTENANCE

Your DEWALT power tool has been designed to operate over a long period of time with a minimum of maintenance. Continuous satisfactory operation depends upon proper tool care and regular cleaning.



WARNING: To reduce the risk of injury, turn unit off and disconnect machine from power source before installing and removing accessories,

before adjusting or changing set-ups or when making repairs. Be sure the trigger switch is in the OFF position. An accidental start-up can cause injury.



Lubrication

Your power tool requires no additional lubrication.



Cleaning



WARNING: Blow dirt and dust out of the main housing with dry air as often as dirt is seen collecting in and around the air vents. Wear approved eye protection and approved dust mask when performing this procedure.



WARNING: Never use solvents or other harsh chemicals for cleaning the non-metallic parts of the tool. These chemicals may weaken the materials used in these parts. Use a cloth dampened only with water and mild soap. Never let any liquid get inside the tool; never immerse any part of the tool into a liquid.

Optional Accessories



WARNING: Since accessories, other than those offered by DEWALT, have not been tested with this product, use of such accessories with this tool could be hazardous. To reduce the risk of injury, only DEWALT, recommended accessories should be used with this product.

Consult your dealer for further information on the appropriate accessories.

Protecting the Environment



Separate collection. This product must not be disposed of with normal household waste.

do not dispose of it with household waste. Make this product available for separate collection.



Separate collection of used products and packaging allows materials to be recycled and used again. Re-use of recycled materials helps prevent environmental pollution and reduces the demand for raw materials.

Local regulations may provide for separate collection of electrical products from the household, at municipal waste sites or by the retailer when you purchase a new product.

DEWALT provides a facility for the collection and recycling of DEWALT products once they have reached the end of their working life. To take advantage of this service please return your product to any authorised repair agent who will collect them on our behalf.

You can check the location of your nearest authorised repair agent by contacting your local DEWALT office at the address indicated in this manual. Alternatively, a list of authorised DEWALT repair agents and full details of our after-sales service and contacts are available on the Internet at: www.2helpU.com.

Should you find one day that your DEWALT product needs replacement, or if it is of no further use to you,

절단기

D28720

축하합니다!

DeWALT 공구를 선택해 주셔서 감사합니다. 제품 개발과 혁신을 통한 다년간의 경험은 DeWALT를 전문 전동 공구 사용자들이 가장 믿을 수 있는 기업으로 만들어 왔습니다.

기술 데이터

	D28720-KR	
전압	V	220
소비전력	W	2200
주파수	Hz	60
무부하회전수	/min	3800
휠 직경	mm	355
휠 두께	mm	2.8

정의: 안전 지침

다음 정의는 각 경고 문구의 심각도를 설명합니다. 사용 설명서를 읽고 다음 기호들에 유의하십시오.



위험: 절박한 위험 상태를 나타내며, 방지하지 않으면 **사망 또는 심각한 부상을 초래합니다.**



경고: 잠재적 위험 상태를 나타내며, 방지하지 않으면 **사망 또는 심각한 부상을 초래할 수 있습니다.**



주의: 잠재적 위험 상태를 나타내며, 방지하지 않으면 **경미한 부상을 초래할 수 있습니다.**

참고: 신체 부상을 초래하지 않는 행위를 나타내며, 방지하지 않으면 **재산상의 손해가 발생할 수 있습니다.**



감전 위험을 나타냅니다.



화재 위험을 나타냅니다.



경고: 부상 위험을 줄이려면 사용 설명서를 숙지하십시오.

전동 공구에 관한 일반 안전 경고



경고! 안전 경고와 지시사항을 모두 읽으십시오. 경고와 지시사항을 준수하지 않으면 감전, 화재 및/또는 심각한 부상을 초래할 수 있습니다.

향후 참고할 수 있도록 모든 경고 및 지시 사항을 보관해두십시오.

경고에서 사용된 "전동 공구"라는 용어는 주 공급 전원에 의해 전기가 공급되는(유선) 전동 공구 또는 충전식(무선) 전동 공구를 의미합니다.

1) 작업장 안전

- 작업 영역을 청결히 하고 조명을 밝게 유지하십시오.** 혼잡하거나 어두운 작업장에서는 사고가 발생하기 쉽습니다.
- 가연성 액체, 가스 또는 먼지 등이 있는 폭발성 대기에서 전동 공구를 사용하지 마십시오. 전동 공구에서 먼지나 가스를 발화시킬 수 있는 불꽃이 될 수 있습니다.
- 전동 공구로 작업하는 동안에는 어린이와 주변 사람들이 작업 영역에 가까이 들어오지 못하도록 하십시오.** 주변이 산만해져 통제력을 잃을 수 있습니다.

2) 전기 안전

- 전동 공구의 플러그는 콘센트와 형식이 일치해야 합니다.** 플러그를 어떤 방식으로든 절대 개조하지 마십시오. 접지된(지면 접지) 전동 공구에 어떤 어댑터 플러그도 사용하지 마십시오. 개조되지 않은 플러그 및 형식이 일치하는 콘센트를 사용하면 감전 위험이 줄어듭니다.
- 파이프, 라디에이터, 렌지 및 냉장고 등과 같이 접지된 표면에 신체가 접촉하지 않도록 하십시오.** 신체가 접지되어 있으면 감전 위험이 높아집니다.
- 전동 공구를 비 또는 습한 환경에 노출하지 않도록 주의하십시오.** 전동 공구에 물이 들어가면 감전 위험이 높아집니다.
- 코드를 함부로 다루지 마십시오.** 코드를 사용하여 전동 공구를 운반하거나 잡아당기거나 플러그를 뽑지 마십시오. 열, 오일, 날카로운 모서리 또는 움직이는 부품에서 멀리 떨어진 장소에 코드를 보관하십시오. 코드가 손상되거나 얽혀 있으면 감전 위험이 높아집니다.
- 전동 공구를 실외에서 사용할 때는 실외 사용에 적합한 연장 코드를 사용하십시오.** 실외 사용에 적합한 코드를 사용하면 감전 위험이 줄어듭니다.
- 어쩔 수 없이 습한 장소에서 전동 공구를 사용해야 하는 경우에는 누전 차단기(RCD)로 보호된 전원 공급 장치를 사용하십시오.** RCD (차단기)를 사용하면 감전 위험이 줄어듭니다.

3) 신체 안전

- 전동 공구로 작업할 때는 방심하지 말고 작업에 주의하면서 상식을 따르십시오.**

피곤한 상태이거나 약물, 술, 치료제를 복용한 상태에서는 전동 공구를 사용하지 마십시오. 전동 공구를 사용하는 중에 주의력을 잃어 순간적으로 부상을 당할 수 있습니다.

- b) **신체 보호 장비를 착용하십시오. 항상 보안경을 착용하십시오.** 적절한 상황에서 방진 마스크, 미끄럼 방지 안전화, 안전모 또는 청력 보호 기구 등의 보호 장비를 사용하면 신체 부상 위험이 줄어듭니다.
- c) **의도하지 않은 장비 자동 방지. 전원 및/또는 배터리 팩에 연결한 상태로 공구를 선택 또는 운반할 때는 사전에 스위치가 꺼짐 위치에 있는지 반드시 확인하십시오.** 스위치가 꺼짐 위치에 있는 상태에서 스위치에 손가락이 닿은 상태로 전동 공구를 운반하거나 전동 공구에 전원을 공급하면 사고가 발생합니다.
- d) **전동 공구를 켜기 전에 모든 조정 키 또는 렌치를 제거하십시오.** 전동 공구의 회전 부품에 렌치나 키가 부착되어 있으면 부상을 당할 수 있습니다.
- e) **무리하게 팔을 뻗지 마십시오. 항상 올바른 자세로 서서 균형을 유지하십시오.** 그러면 예기치 않은 상황에서 전동 공구에 대한 제어력이 향상됩니다.
- f) **절단한 작업복을 착용합니다. 헐렁한 옷이나 장신구를 착용하지 마십시오.** 머리카락, 옷 및 장갑이 움직이는 부품에 닿지 않도록 유의하십시오. 헐렁한 옷, 장신구 또는 긴 머리가 움직이는 부품에 걸 수 있습니다.
- g) **먼지 배출 및 집진 시설 연결을 위한 장치의 제공된 경우, 이들 장치가 연결되어 적절히 사용되고 있는지 반드시 확인하십시오.** 집진 장치를 사용하면 먼지와 관련된 위험을 줄일 수 있습니다.

4) 전동 공구 사용 및 관리

- a) **전동 공구에 무리한 힘을 가하지 마십시오. 해당 용도에 맞는 올바른 전동 공구를 사용하십시오.** 올바른 전동 공구를 사용하여 설계된 속도로 작업을 더욱 안전하고 정확하게 수행할 수 있습니다.
- b) **켜지거나 꺼지지 않는 경우 전동 공구를 사용하지 마십시오.** 스위치로 제어되지 않는 전동 공구는 위험하며 수리해야 합니다.
- c) **전동 공구를 조정하거나 액세서리를 변경하거나 보관하기 전에 전원 및/또는 배터리 팩에서 플러그를 뽑으십시오.** 이러한 예방적 안전 조치를 따라야 전동 공구가 갑자기 작동할 위험이 줄어듭니다.
- d) **사용하지 않는 전동 공구는 어린이의 손이 닿지 않는 곳에 보관하고, 전동 공구나 본 지시 사항에 익숙하지 않은 사람이 전동 공구를 절대 사용하지 못하게 하십시오.** 전동 공구는 훈련을 받지 않은 사용자가 다루면 위험합니다.
- e) **전동 공구 유지 보수. 움직이는 부품의 잘못된 정렬이나 바인딩, 부품 파손 및 기타 전동 공구의 작동에 영향을 미칠 수 있는 기타 모든**

상태를 확인하십시오. 손상된 부분이 있는 경우 사용하기 전에 전동 공구를 수리하십시오. 많은 사고는 전동 공구를 제대로 유지 보수하지 않아 발생합니다.

- f) **절단 공구를 예리하고 깨끗한 상태로 유지하십시오.** 절단지석 고정자리를 예리하게 잘 유지하면 절단기를 사용할 때 바인딩이 적고 다루기가 용이합니다.
- g) **작업 환경과 수행할 작업을 고려하여, 본 지시 사항에 따라 전동 공구, 액세서리 및 볼 비트 등을 사용하십시오.** 본 사용 설명서의 내용과 다른 용도로 전동 공구를 사용하면 위험한 상황이 발생할 수 있습니다.

5) 정비

- a) **자격을 갖춘 기술자가 동일 교체 부품을 사용하여 정비 작업을 수행해야 합니다.** 그래야 전동 공구의 안전이 보장됩니다.

절단기 추가 안전 지침

- **항상 적합한 눈 및 호흡기 보호 장구를 착용하십시오.**
- **사용 전에 절삭 휠에 균열이나 결함이 있는지 검사하십시오. 균열이나 결함이 분명하게 관찰되는 휠은 폐기하십시오.** 공구를 떨어뜨렸다고 생각되는 경우에도 절삭 휠을 검사해야 합니다. 결함이 있으면 휠이 갈라질 수 있습니다.
- **새 휠이나 교체 휠로 공구를 작동할 때 또는 휠의 상태에 대해 잘 모를 때에는 공구를 잘 보호된 영역에서 잡고 1분간 작동시키십시오.** 휠에 미처 발견하지 못한 균열이나 결함이 있는 경우에는 휠이 1분 내에 갈라집니다. 휠과 일직선상에 사람이 있는 상태에서 공구를 작동하지 마십시오. 이는 작업자도 마찬가지입니다.
- **작동 중일 때에는 힘을 툇기거나 거칠게 다루지 마십시오.** 이런 식으로 취급한 경우, 공구를 멈추고 휠에 균열이나 결함이 있는지 검사하십시오.
- **본 사용 설명서의 절차에 따라 절단기를 주기적으로 청소하십시오.**
- **휠 가드나 베이스를 제거하지 마십시오.**
- **항상 바이스나 고정 장치를 사용하여 작업물을 단단히 고정시키십시오.** 작업물의 크기와 모양에 따라 스프링, 바 또는 C-클램프 등을 적절하게 보조적으로 사용할 수 있습니다. 이러한 클램프를 선택하고 사용할 때는 주의를 기울이고, 절삭 전에 작업물이 없는 상태에서 작동시켜보십시오.
- **4100 rpm 등급 이상의 14" 타입 휠 1개만 사용하십시오.**
- **절삭된 부분이 식을 때까지 만지지 마십시오.**
- **나무나 플라스틱은 자르지 마십시오.**
- **마그네슘을 절대로 절삭하지 마십시오.**

- 환기가 잘 되는 장소에서 절단기를 사용하십시오.
- 베이스에서 구성품을 제거하기 전에 절단기를 끄십시오.
- 전기적으로 활성인 재료는 자르지 마십시오.
- 원형 톱날 등 톱니가 있는 기타 날을 사용하지 마십시오. 심각한 부상을 당할 수 있습니다.
- 가연성 액체, 가스 또는 먼지가 있는 장소에서 이 공구를 작동하지 마십시오. 절삭 또는 호 모터 브러시에서 튀는 불꽃이나 뜨거운 파편으로 인해 가연성 물질에 불이 붙을 수 있습니다.
- 경고: 안전한 위치에서 30초 동안 무부하로 기기를 작동하고 상당한 진동이 있는 경우 즉시 멈추고 절단 휠을 교체하기 위한 설명서를 포함하여 사용하기 전에 절단 휠이 정확하게 장착되고 조여졌는지 확인하십시오.
- 연마 휠 측면을 디버링(deburring) 그라인더로 사용하지 마십시오. 휠이 크게 약해져 위험한 상황이 초래됩니다. 휠이 부서질 수도 있습니다.



주의: 사용 중 적합한 청력 보호 장치를 착용하십시오. 사용 조건과 사용 기간에 따라 제품에서 발생하는 소음으로 인해 청력이 손상될 수도 있습니다.



주의: 불꽃 반사대(deflector)가 뜨거워집니다. 뜨거운 상태에서 변형 기기를 만지거나 조정하지 마십시오. 코드와 재료를 불꽃 변형 기기에서 멀리 두십시오.

- 전동 샌딩, 연마, 드릴 및 기타 건설 작업에 의해 발생하는 분진에 장시간 노출되지 않도록 하십시오. 보호복을 착용하고 노출된 부위를 비눗물로 씻으십시오. 분진이 입이나 눈에 들어가거나 피부에 묻으면 해로운 화학물질이 체내로 쉽게 흡수될 수 있습니다.



경고: 항상 NIOSH/OSHA에서 미세 입자용으로 승인된 호흡기 보호 장구를 사용하십시오. 얼굴과 몸에 입자가 직접 닿지 않도록 하십시오. 사용자의 안전과 편의를 위해 헤비 듀티 14" (355mm) 절단기에는 다음 경고가 부착되어 있습니다.



FOR SAFE OPERATION READ THE INSTRUCTION MANUAL. (안전한 사용을 위해 사용 설명서를 읽으십시오.)

- DO NOT USE TOOTHED BLADES. (톱니가 있는 날을 사용하지 마십시오.)
- USE ONLY REINFORCED WHEELS RATED 4100 RPM OR HIGHER. (4100 RPM 등급 이상의 강화 휠만 사용하십시오.)
- WHEN SERVICING USE ONLY IDENTICAL REPLACEMENT PARTS. (수리 시에는 동일한 교체 부품만 사용하십시오.)

- ALWAYS: WEAR EYE PROTECTION, USE GUARDS, CLAMP WORK IN VISE, USE PROPER RESPIRATORY PROTECTION. (항상 눈 보호 안경을 착용하고 가드를 설치하며 작업물을 바이스에 고정시키고 적합한 호흡기 보호 장구를 사용하십시오.)
- DO NOT EXPOSE TO RAIN OR USE IN DAMP LOCATIONS. (비에 노출하거나 습기가 많은 장소에서 사용하지 마십시오.)
- ONLY USE CHOP SAW WHEEL OF A MAX. THICKNESS OF 2.8MM AND A MAX. DIAMETER OF 355mm. (최대 두께 2.8mm, 최대 직경 355mm의 절삭 휠만 사용하십시오.)

기타 발생 가능한 위험

- 장비 사용에는 항상 다음과 같은 위험이 내재되어 있습니다.
 - 돌아가는 부품을 만짐으로 인해 발생하는 부상.
 - 절삭 디스크 파쇄로 인한 부상.
- 이러한 위험은 다음과 같은 곳에서 뚜렷하게 나타납니다.
 - 작업 범위 이내.
 - 회전하는 장비 부품의 작동 범위 이내.
- 관련된 안전 규정을 준수하고 안전 장치를 사용한다고 해도 특정한 위험은 피할 수 없습니다. 이러한 위험은 다음과 같습니다.
 - 청력 손상.
 - 회전하는 절삭 디스크의 부품들이 덮여 있지 않은 데 따른 사고 위험.
 - 디스크 교체 시의 부상 위험.
 - 가드를 열 때 손가락이 눌리는 위험.

공구에 표시된 마크

공구에는 다음과 같은 그림이 있습니다.



사용 전에 사용 설명서의 내용을 숙지하십시오.



보안경을 착용하십시오.



귀 보호 장구를 착용하십시오.



보어 직경.

날짜 코드 위치

날짜 코드(R)에는 제조년도가 포함되어며, 이 제조년도는 케이스에 인쇄되어 있습니다.

예:

2014 XX XX

제조년도

포장 내용물

포장에는 다음 내용물이 들어 있습니다.

절단기 1개
렌치 1개
사용 설명서 1개

- 운반 중에 발생할 수 있는 공구, 부품 또는 액세서리의 손상 여부를 확인하십시오.
- 작동 전에 시간을 내어 본 사용 설명서를 읽고 숙지하십시오.

설명 (그림 1.4)

경고: 전동 공구 또는 전동 공구의 어떤 부품도 절대 개조하지 마십시오. 제품이 파손되거나 신체 부상을 당할 수 있습니다.

- 고정 체인
- 볼꽃 변형 기기 나사
- 볼꽃 반사대
- 베이스
- 펜스
- 바이스
- 플랫 렌치
- 크랭크
- 바이스 수평기
- 휠
- 가드
- 스핀들 잠금 장치
- 깊이 제한 볼트 및 고정 너트
- 트리거 스위치
- 자물쇠 구멍
- 펜스 볼트
- 고정 스위치

용도

D2870 절단기는 다양한 형태의 철물 절단용으로 설계되었습니다.

습한 환경이나 가연성 액체 또는 가스가 있는 장소에서 사용하지 마십시오.

D2870 절단기는 전문가용 전동 공구입니다.

어린이가 이 공구를 만지지 않도록 하십시오. 경험이 없는 작업자가 이 공구를 사용할 때는 감독자의 지도가 필요합니다.

전기 안전

전기 모터는 한 가지 전압에만 맞추어 설계되었습니다. 전원이 전동기 네임 플레이트에 기재된 전압과 일치하는지 항상 확인하십시오.



DEWALT 전동 공구는 이중 절연되어 있습니다. 따라서 접지선이 필요하지 않습니다.

전원 코드가 손상된 경우에는 DEWALT 서비스 센터를 통해 특수 제작된 코드로 교체해야만 합니다.

연장 케이블 이용

연장 케이블이 필요할 경우 이 공구의 소비전력에 맞는 승인된 3 코어 연장 케이블을 사용하십시오 (**기술 자료** 참조). 최소 도체 크기는 1.5 mm², 최대 길이는 30 m 입니다.

케이블 릴을 사용할 때는 항상 케이블을 완전히 푸십시오.

본체 연결

이 장비용으로 사용할 주 전원에는 타임 딜레이와 함께 16 A 차단 휴즈가 장착되어 있어야 합니다.

전압 강하

돌입 전류가 일시적 전압 강하를 유발할 수 있습니다. 전원 공급 상태가 좋지 않을 경우 다른 장비에 영향을 줄 수 있습니다.

전원 공급 장치의 시스템 임피던스가 0.11 Ω 미만이면 장애가 발생할 가능성은 없습니다.

전원 공급

전원은 기기 명판에 적힌 사양과 일치해야 합니다. 전압이 10% 이상 떨어지면 동력이 약해지고 과열이 발생합니다.

절삭력

바이스 입구의 폭이 넓고 회전 중심점이 높으면 커다란 작업물을 절삭하기가 보다 수월해집니다. 절삭력 차트를 참고하여 새 휠로 자를 수 있는 최대 크기를 확인하십시오.



주의: 크기가 크거나 원형 또는 불규칙한 모양의 작업물이 바이스에 잘 고정되지

않는 경우 추가적인 고정 수단이 필요합니다.



주의: 마그네슘을 절대로 절삭하지 마십시오.



주의: 새 휠로 교체하는 경우, 지지 표면까지 절삭되지 않도록 깊이 제한을 다시 원래 위치에 맞추십시오.

최대 절삭력

참고: 차트에 나타난 절삭력은 휠에 마모가 없고 펜스가 최적 위치에 있다고 가정합니다.

작업물 모양:				
90° 절삭 각도	A = 4-7/8" (125mm)	A = 4-1/2" (115mm)	4-1/2" x 5-1/8" (115mm x 130mm) 4" x 7-5/8" (102mm x 188mm) 3" x 7-3/8" (76mm x 229mm)	A = 4-1/2" x 5-3/8" (115mm x 137mm)
45° 절삭 각도	A = 4-1/2" (115mm)	A = 3-13/16" (98mm)	4-1/2" x 3-13/16" (105mm x 95mm)	A = 3-13/16" (95mm)

사용 방법

이동 방법(그림 1)

고속 절단기를 휴대할 수 있는 위치까지 아래로 내려 접은 후 고정 체인(A)을 고정 아암 쪽으로 밀니다. 공구대 설치(그림 3)

잠금 해제(그림 1)

공구의 잠금을 풀고 헤드를 올리려면 모터 아암을 약간 누르면서 고정 체인(A)을 밖으로 잡아당깁니다. 그러면 모터 아암이 위 쪽으로 돌아갑니다.

불꽃 반사대 조절(그림 1)

주변에 있는 사람과 물건에 최대한 불꽃이 튀지 않도록 하려면 나사(B)를 풀고, 불꽃 반사대(C)를 조정한 다음 나사를 다시 조입니다. 코드가 변형되거나 불꽃이 닿지 않도록 하십시오. 코드가 손상될 수 있습니다.

깊이 제한(그림 1)

휠이 지지 표면까지 절삭하는 것을 방지하기 위해 출고 시 새 14" 휠에 대해 깊이 제한이 설정됩니다. 절삭 깊이를 늘리려면 제공된 플랫폼 렌치(G)를 사용하여 깊이 제한 볼트(M)를 풀고 볼트를 원하는 높이까지 올린 다음, 주조물에 안정적으로 닿을 때까지 고정 너트(N)를 시계 방향으로 돌립니다. 사용하기 전에 깊이 제한 볼트를 단단히 조이십시오.

트리거 스위치(그림 1)

공구를 작동시키려면 트리거 스위치(N)를 누릅니다. 공구를 끄려면 트리거 스위치를 놓습니다. 휠이 완전히 멈출 때까지 손이나 물건을 휠에 닿지 않도록 하십시오. 공구의 무단 사용을 방지하기 위해 표준 자물쇠(별매품)를 트리거에 있는 자물쇠 구멍(O)에 설치하십시오.

작업물 고정 및 지지

- 앵글은 두 측면이 모두 베이스에 맞닿은 상태에서 가장 잘 고정 및 절삭됩니다.
- 작업물보다 약간 좁은 스페이서 블록을 사용하면 휠을 조작하기가 수월합니다(그림 2).
- 긴 형태의 작업물은 베이스 상단과 수평이 되도록 블록을 받쳐야 합니다(그림 3). 절삭된 부분은 자연스럽게 떨어지도록 해야 휠에 걸리지 않습니다.

바이스 조작(그림 4)

바이스(F)에는 빠른 이동 기능이 있습니다. 너무 단단히 조여진 바이스를 풀려면 크랭크(H)를 시계 반대 방향으로 1, 2회 돌려 조임 압력을 풉니다. 바이스 레버(I)를 위로 올립니다. 크랭크 어셈블리를 최대한 멀리 잡아당깁니다. 바이스를 크랭크 조작 없이 작업물 방향으로 밀 수 있습니다. 바이스 레버(I)를 내린 다음 크랭크(H)를 이용하여 작업물에 바이스(F)를 조입니다.

펜스 조작(그림 5, 6)

주의: 부착물이나 액세서리를 조정, 제거 또는 설치하기 전에 공구를 끄고 코드를 뽑으십시오. 트리거 스위치가 꺼진 위치에 있는지 반드시 확인하십시오. 펜스(E)는 두 가지 방법으로 조절할 수 있습니다. 즉, 원하는 절삭 각도를 변경하고 펜스와 바이스 사이의 간격을 변경할 수 있습니다.

원하는 절삭 각도를 변경하는 방법

제공된 렌치를 사용하여 펜스 볼트(P) 2개를 풀니다 (제거하지는 않음). 원하는 각도 표시 라인을 베이스(D)에 있는 슬롯 라인(Q)과 맞춥니다. 사용하기 전에 펜스 볼트 2개를 단단히 조입니다. 더욱 정확한 직각 절삭을 위해 전원을 분리하고 펜스 볼트 2개를 풀 다음 휠이 베이스까지 들어갈 때까지 손잡이 부분을 아래쪽으로 누릅니다. 직각자를 휠에 단단히 놓고 펜스를 직각각에 맞춥니다. 사용하기 전에 펜스 볼트 2개를 단단히 조입니다. 연귀 절삭의 경우, 작업물의 두께와 연귀 각도에 따라 바이스(F)가 단단히 물리지

않을 수도 있습니다. 이러한 절삭 작업 시에는 다른 보조 수단(스프링, 바 또는 C-클램프 등)을 이용하여 작업물을 펜스에 고정시켜야 합니다.

펜스와 바이스 사이의 간격을 변경하는 방법

제공된 렌치를 사용하여 펜스 볼트(P) 2개를 풀니다. 펜스(E)를 원하는 위치에 맞춥니다. 펜스 볼트 2개를 제공된 위치에 끼웁니다. 사용하기 전에 펜스 볼트 2개를 단단히 조입니다.

휠 제거 및 설치(그림 7, 8)



주의: 부착물이나 액세서리를 조정, 제거 또는 설치하기 전에 공구를 끄고 코드를 뽑으십시오. 트리거 스위치가 꺼짐 위치에 있는지 반드시 확인하십시오. 휠이 움직이고 있을 때는 어떤 조절 작업도 수행하지 마십시오. 절단기가 전원에 연결된 상태에서는 어떤 조절 작업도 수행하지 마십시오.

1. 스펀들 잠금 장치(L)를 누르고 휠 잠금 레버가 아래 만조(R) 내부의 홈에 걸려 휠을 고정시킬 때까지 휠(J)을 손으로 돌립니다. 8mm 육각 렌치(G)로 연마 휠 중앙에서 볼트(S)를 시계 반대 방향으로 풀니다. 볼트는 오른쪽 나사입니다.
2. 볼트(S), 와셔(T), 덮개 만조(U) 및 기존 휠(J)을 제거합니다.
3. 만조 표면이 깨끗하고 평평해야 합니다. 위의 과정을 반대로 수행하여 새 연마 휠을 설치합니다.
4. 볼트를 지나치게 조이지 마십시오.



경고: 새 연마 휠로 교체할 때 절단기가 작업물의 어느 위치까지 절삭하여 들어가는지 확인하십시오. 아암을 완전히 내렸을 때 휠이 작업을 아래쪽 베이스 부분의 구성품이나 구조물까지 절삭할 수 있기 때문입니다.

절삭의 정확성을 높이기 위한 조작 요령

- 휠 자체 무게로 절삭이 이루어지도록 하십시오. 과도한 힘을 가하면 휠이 뒤틀려져 절삭 효과가 떨어지거나 휘어져 절삭이 부정확해집니다.
- 펜스 각도를 적합하게 조절하십시오.
- 작업물이 베이스에 평평하게 놓이도록 합니다.
- 작업물을 단단히 고정시켜 작업 중 움직이거나 흔들리지 않도록 하십시오.

모터 브러시 검사 및 교체(그림 9)



경고: 공구의 전원 플러그를 뽑으십시오. 트리거 스위치가 꺼짐 위치에 있는지 반드시 확인하십시오. 브러시는 정기적으로 마모 상태를 점검해야 합니다. 브러시를 점검하려면 엔드캡

나사(V) 2개를 풀고 엔드캡(W)을 제거합니다. 브러시 캡(Y)을 제거합니다. 브러시(X)는 브러시 박스에서 자유롭게 미끄러져야 합니다. 브러시가 그림 9와 같이 0.3"(8mm)까지 마모된 경우, 교체해야 합니다. 다시 설치하려면 새 브러시를 다시 브러시 박스에 밀어 넣습니다. 기존 브러시를 다시 사용하는 경우, 제거할 때와 동일한 방향을 유지하십시오. 브러시 캡을 다시 끼웁니다(지나치게 조이지 않음). 엔드캡과 나사 2개를 다시 끼웁니다. 단단히 조입니다.

유지 보수

DEWALT 전동 공구는 최소한의 유지 보수로 장기간에 걸쳐 작업이 가능하도록 설계되어 있습니다. 만족스러운 연속 작동은 적절한 공구 관리와 정기적인 청소에 따라 그 성능이 달라질 수 있습니다.



경고: 액세서리를 설치 및 제거하기 전, 설정 상태를 조정하거나 변경하기 전, 또는 수리 시 부상의 위험을 줄이려면 장치를 끄고 전원으로부터의 연결을 차단하십시오. 트리거 스위치가 꺼짐 위치에 있는지 반드시 확인하십시오. 공구가 갑자기 작동하여 부상을 당할 수 있습니다.



윤활방법

전동 공구는 별도의 윤활 작업이 필요하지 않습니다.



청소



경고: 통풍구 속이나 주변에 먼지가 쌓여있는 것이 보이면 가능한 한 자주 건조한 공기를 이용하여 몸체에서 먼지를 불어내십시오. 이 절차를 수행할 때에는 승인된 눈 보호 장구 및 승인된 방진 마스크를 착용하십시오.



경고: 공구의 금속 이외 부품을 청소할 때는 용제 등의 강력한 화학약품을 절대 사용하지 마십시오. 그렇지 않으면 이러한 부분에 사용된 재료가 약해질 수 있습니다. 헹굼에 물과 순한 비누를 적셔 닦아주십시오. 공구 내부에 액체를 넣거나 공구 부품을 액체에 담그는 행동은 절대 금물입니다.

옵션 액세서리



경고: DeWALT에서 제공하지 않은 액세서리는 본 제품에서 테스트되지 않았으므로 본 제품에서 이러한 액세서리를 사용하면 위험할 수 있습니다. 신체 부상의 위험을 줄이려면 본 제품에 DeWALT 권장 액세서리만 사용해야 합니다.

해당 액세서리에 대한 자세한 정보는 판매 대리점으로 문의하십시오.

환경 보호



분리 수거하십시오. 본 제품을 일반 가정용 쓰레기로 처리하면 안됩니다.

DeWALT 제품을 교체해야 하거나 더 이상 쓸모가 없어졌다고 판단될 때는 본 제품을 가정용 쓰레기와 함께 처리하지 마십시오. 이 제품은 분리 수거하십시오.



사용하던 제품과 포장을 분리 수거하면 자원을 재활용 및 재사용할 수 있습니다. 재활용 자원을 이용하면 환경 오염이 방지되고 고철 자원에 대한 수요를 줄일 수 있습니다.

지역에 따라 가정용 가전제품을 분리 수거하는 규정이 마련되어 있거나 새로운 제품을 구입할 때 판매점에서 폐기 방법을 알려줄 수 있습니다.

DeWALT는 사용이 끝난 DeWALT 제품을 수집하여 재활용하기 위한 시설을 운영하고 있습니다. 이 서비스를 활용하려면 당사가 폐 제품 수거를 위임한 공인 수리 대리점에 제품을 반환해 주십시오.

본 사용 설명서에 기재된 연락처로 가까운 DeWALT 영업소에 연락하면 가까운 공인 수리 대리점 위치를 확인할 수 있습니다. 또는 다음 웹 사이트를 방문하여 DeWALT 공인 수리 대리점 목록과 A/S 및 연락처 등 자세한 정보를 찾아볼 수 있습니다.

www.dewalt.co.kr

GERGAJI POTONG

D28720

Selamat!

Anda sudah memilih alat DeWALT. Pengalaman bertahun-tahun, pengembangan produk menyeluruh, dan inovasi, menjadikan DeWALT salah satu rekan paling andal bagi para pengguna alat listrik profesional.

Data Teknis

		D28720-ID
Voltase	V	220-240
Input daya	W	2200
Frekuensi	Hz	50/60 Hz
Kecepatan tanpa beban	/mnt	3800
Diameter piringan	mm	355
Ketebalan piringan	mm	2,8

Definisi: Pedoman Keselamatan

Definisi berikut ini menjelaskan tingkat bahaya untuk setiap kata sinyal. Harap baca buku petunjuk dan perhatikan simbol-simbol ini.



BAHAYA: Mengindikasikan situasi berbahaya yang tak terelakkan, yang jika tidak dihindari, **akan** mengakibatkan **kematian atau cedera berat**.



PERINGATAN: Mengindikasikan situasi berbahaya yang berpotensi terjadi, yang jika tidak dihindari, **dapat** mengakibatkan **kematian atau cedera berat**.



PERHATIAN: Mengindikasikan situasi berbahaya yang berpotensi terjadi, yang jika tidak dihindari, **dapat** mengakibatkan **cedera ringan atau sedang**.

PEMBERITAHUAN: Mengindikasikan suatu praktik yang **tidak berhubungan dengan cedera diri**, yang jika tidak dihindari, **mungkin** mengakibatkan **kerusakan barang**.



Menunjukkan adanya risiko sengatan listrik.



Menunjukkan risiko kebakaran.



PERINGATAN: Untuk mengurangi risiko cedera, baca buku petunjuk manual.

Peringatan Keselamatan Alat Listrik Umum



PERINGATAN! Baca seluruh peringatan keselamatan dan seluruh petunjuk. Kegagalan untuk mengikuti peringatan dan instruksi dapat mengakibatkan sengatan listrik, kebakaran, dan/atau cedera berat.

SIMPAN SEMUA PERINGATAN DAN PETUNJUK UNTUK REFERENSI DI MASA MENDATANG

Istilah "alat listrik" dalam peringatan merujuk pada alat listrik beroperasi listrik induk (berkabel) atau alat listrik beroperasi baterai (nirkabel).

1) KESELAMATAN AREA KERJA

- Jaga agar area kerja tetap bersih dan terang.** Area yang berantakan atau gelap berpotensi mengakibatkan kecelakaan.
- Jangan operasikan alat listrik di lingkungan yang dapat meledak, misalnya jika terdapat cairan, gas, atau debu yang mudah terbakar. Alat listrik menimbulkan percikan api yang dapat menyulut debu atau uap.
- Jauhkan anak-anak dan orang-orang di sekitar Anda saat mengoperasikan alat listrik.** Gangguan dapat menyebabkan Anda kehilangan kendali.

2) KESELAMATAN KELISTRIKAN

- Steker alat listrik harus sesuai dengan stopkontak.** Jangan pernah memodifikasi steker dengan cara apa pun. Jangan gunakan steker adaptor apa pun dengan alat listrik yang dibumikan (grounded). Steker yang tidak dimodifikasi dan stopkontak yang sesuai akan mengurangi risiko sengatan listrik.
- Jagalah agar badan Anda tidak bersentuhan dengan permukaan yang dibumikan, seperti pipa, radiator, kompor, dan kulkas.** Risiko sengatan listrik dapat meningkat jika tubuh Anda bersentuhan dengan permukaan yang dibumikan.
- Jangan sampai alat listrik ini terkena hujan atau terpapar pada kondisi yang basah.** Air yang masuk ke alat listrik akan meningkatkan risiko sengatan listrik.
- Jangan menyalahgunakan kabel.** Jangan sekali-kali menggunakan kabel untuk membawa, menarik, atau mencabut alat listrik. Jauhkan kabel dari panas, minyak,

tepi tajam, atau komponen yang bergerak.

Kabel yang rusak atau terbelit meningkatkan risiko sengatan listrik.

- e) **Bila mengoperasikan alat listrik di luar ruangan, gunakan kabel ekstensi yang sesuai untuk penggunaan di luar ruangan.** Menggunakan kabel yang sesuai untuk penggunaan di luar ruangan akan mengurangi risiko sengatan listrik.
- f) **Jika terpaksa mengoperasikan alat listrik di lokasi lembap, gunakan catu daya yang dilindungi pemutus sirkuit arus sisa (RCD).** Penggunaan RCD akan mengurangi risiko sengatan listrik.

3) KESELAMATAN DIRI

- a) **Tetaplah waspada, perhatikan apa yang Anda tengah kerjakan dan gunakan akal sehat saat mengoperasikan alat listrik. Jangan mengoperasikan alat listrik bila Anda sedang lelah, atau berada di bawah pengaruh obat, alkohol, atau pengobatan.** Kelengahan sesaat saja saat mengoperasikan alat listrik dapat mengakibatkan cedera diri serius.
- b) **Gunakan peralatan pelindung diri. Selalu kenakan alat pelindung mata.** Peralatan pelindung, seperti masker debu, sepatu keselamatan antiselip, helm proyek, atau pelindung telinga yang digunakan untuk kondisi yang sesuai akan mengurangi risiko cedera diri.
- c) **Hindarkan menyalakan alat tanpa disengaja. Pastikan bahwa tombol sudah dalam posisi mati sebelum menghubungkannya ke sumber listrik dan/atau baterai, mengambil, atau membawa alat.** Membawa alat listrik dengan jari Anda masih menempel pada tombol atau menghidupkan alat listrik yang tombolnya masih menyala akan berpotensi mengakibatkan kecelakaan.
- d) **Lepaskan semua kunci setelan atau kunci pas sebelum menghidupkan alat listrik.** Kunci pas atau kunci yang dibiarkan terpasang pada komponen alat listrik yang berputar dapat mengakibatkan cedera diri.
- e) **Jangan melampaui batas. Selalu jaga pijakan dan keseimbangan yang baik.** Hal ini memungkinkan Anda untuk mengendalikan alat listrik secara lebih baik dalam situasi yang tidak terduga.
- f) **Kenakan pakaian yang sesuai. Jangan mengenakan pakaian longgar atau perhiasan. Jauhkan rambut, pakaian dan sarung tangan dari komponen yang bergerak.** Pakaian yang longgar, perhiasan

atau rambut panjang dapat tersangkut pada komponen yang bergerak.

- g) **Jika disediakan perangkat untuk sambungan fasilitas pengeluaran dan pengumpulan debu, pastikan perangkat ini dihubungkan dan digunakan dengan sesuai.** Penggunaan alat pengumpul debu dapat mengurangi bahaya yang ditimbulkan oleh debu.

4) PENGGUNAAN DAN PERAWATAN ALAT LISTRIK

- a) **Jangan menggunakan alat listrik dengan paksa. Gunakan alat listrik yang sesuai untuk aplikasi Anda.** Alat listrik yang tepat akan bekerja lebih baik dan aman pada tingkat kelajuan yang telah dirancang untuk alat itu.
- b) **Jangan gunakan alat listrik ini jika tombol tidak dapat menghidupkan dan mematikan alat.** Alat listrik apa pun yang tidak dapat dikendalikan dengan sakelar adalah berbahaya dan harus diperbaiki.
- c) **Lepaskan stopkontak dari sumber listrik dan/atau baterai dari alat listrik sebelum melakukan penyetulan apa pun, mengganti aksesori, atau menyimpan alat listrik.** Tindakan pencegahan untuk keselamatan seperti itu akan mengurangi risiko menyalakan alat listrik secara tidak disengaja.
- d) **Simpan alat listrik yang tidak digunakan jauh dari jangkauan anak-anak, dan jangan membolehkan orang yang tidak memahami alat listrik atau petunjuk ini untuk mengoperasikannya.** Alat listrik dapat berbahaya bila digunakan oleh pengguna yang tidak terlatih.
- e) **Rawat alat listrik. Lakukan pemeriksaan untuk mengetahui apakah ada komponen bergerak yang tidak sejajar atau bengkok, komponen yang patah, dan kondisi lainnya yang dapat mempengaruhi pengoperasian alat listrik.** Jika rusak, perbaiki alat listrik sebelum digunakan. Banyak terjadi kecelakaan akibat alat listrik yang tidak terawat dengan baik.
- f) **Jaga ketajaman dan kebersihan alat pemotong.** Alat pemotong yang terawat dengan baik dengan mata potong yang tajam akan kecil kemungkinannya untuk macet serta lebih mudah untuk dikendalikan.
- g) **Gunakan alat listrik, aksesori, dan mata bor, dsb. sesuai instruksi-instruksi ini, dengan memperhitungkan persyaratan kerja dan jenis pekerjaan yang harus dilakukan.** Penggunaan alat listrik untuk pengoperasian yang tidak sesuai dengan

tujuan penggunaan dapat mengakibatkan situasi yang berbahaya.

5) SERVIS

- a) **Alat listrik sebaiknya diservis oleh teknisi yang mahir dan hanya menggunakan komponen pengganti yang persis sama.** Hal ini akan membuat keamanan alat listrik selalu terjaga.

Instruksi Keamanan Tambahan Untuk Gergaji Potong

- **Selalu gunakan pelindung mata dan penerapasan yang tepat.**
- **Sebelum menggunakan, periksa apakah terdapat retak atau cacat pada piringan pemotong. Jika retak atau cacat terlihat jelas, lepas piringan. Piringan juga harus diperiksa setiap kali menurut Anda alat berhenti beroperasi. Cacat dapat menyebabkan kerusakan piringan.**
- **Saat menjalankan alat dengan piringan baru atau piringan pengganti, atau jika Anda tidak yakin dengan kondisi piringan, pegang alat pada area yang terlindung dengan baik dan jalankan selama satu menit. Jika piringan memiliki retak atau cacat yang tidak dapat dideteksi, piringan akan hancur dalam waktu kurang dari satu menit. Jangan pernah menyalakan alat dengan orang berdiri sejajar dengan piringan. Ini termasuk operator.**
- **Saat menjalankannya, hindari memantulkan piringan atau memperlakukannya dengan kasar. Jika hal ini terjadi, hentikan alat dan periksa apakah terdapat retak atau cacat pada piringan.**
- Bersihkan gergaji potong Anda secara berkala dengan mengikuti prosedur pada petunjuk ini.
- Jangan lepaskan pelindung piringan atau alas.
- **SELALU GUNAKAN VISE ATAU PERALATAN KHUSUS UNTUK MENJEPIT BENDA KERJA DENGAN AMAN.** Alat bantu lain seperti pegas, balok, atau penjepit C mungkin sesuai untuk ukuran dan bentuk benda kerja tertentu. Hati-hati dalam memilih dan meletakkan penjepit ini dan jalankan dalam keadaan kering sebelum memotong.
- Hanya gunakan piringan 14" tipe 1 dengan kecepatan 4100 rpm atau lebih tinggi.
- Biarkan bagian pemotong hingga dingin sebelum memegangnya.
- Jangan pernah memotong kayu atau plastik dengan alat ini.

- **JANGAN PERNAH MEMOTONG MAGNESIUM DENGAN ALAT INI.**
- Gunakan gergaji potong dalam area yang berventilasi baik.
- Matikan gergaji potong sebelum memindahkan benda kerja dari alas.
- **JANGAN MEMOTONG BAHAN HIDUP SECARA ELEKTRIS.**
- **Jangan gunakan pisau gergaji bundar atau pisau bergerigi lain dengan alat ini.**Dapat mengakibatkan cedera serius.
- **JANGAN MENJALANKAN ALAT INI DI DEKAT CAIRAN, GAS, ATAU DEBU YANG MUDAH TERBAKAR.**Percikan atau serpihan panas dari pemotongan atau kuas motor yang memancar dapat menyulut bahan yang mudah terbakar.
- Peringatan untuk memastikan agar piringan abrasif dipasang dan dikencangkan dengan benar sebelum digunakan termasuk instruksi untuk menjalankan mesin tanpa beban selama 30 detik dalam posisi yang aman, dan untuk segera berhenti dan mengganti piringan abrasif jika ada getaran yang cukup besar.
- Jangan gunakan sisi piringan abrasif ini sebagai penggerinda halus. Ini akan melemahkan piringan secara substansial sehingga menyebabkan kondisi yang tidak aman. Piringan dapat terbelah.



PERHATIAN: Gunakan pelindung pendengaran yang sesuai selama menjalankan alat. Dalam kondisi dan durasi pemakaian tertentu, kebisingan yang ditimbulkan produk ini dapat mengakibatkan ketulian.



PERHATIAN: Deflektor percikan api akan menjadi panas. Hindari menyentuh atau menyesuikannya selagi panas. Jauhkan unit kabel dan bahan dari deflektor percikan api.

- **Hindari kontak yang lama dengan debu dari pengampelasan, penggergajian, pengasahan, pengeboran, dan aktivitas konstruksi lain yang menggunakan daya listrik. Gunakan pakaian pelindung dan cuci area yang terpapar dengan sabun dan air.** Membiarkan debu masuk ke dalam mulut, mata, atau terkena kulit dapat mendorong penyerapan bahan kimia berbahaya.



PERINGATAN: Selalu gunakan pelindung penerapasan yang sudah lulus uji NIOSH/OSHA untuk mengatasi

paparan terhadap debu. Arahkan serpihan menjauh dari wajah dan tubuh. Untuk kenyamanan dan keamanan Anda, peringatan berikut terdapat pada Gergaji Potong Tugas Berat 14" (355 mm):



UNTUK PENGOPERASIAN YANG AMAN, BACA BUKU PETUNJUK INI.

- **JANGAN GUNAKAN PISAU BERGERIGI.**
- **HANYA GUNAKAN PIRINGAN PENGUAT DENGAN KECEPATAN 4100 RPM ATAU LEBIH TINGGI.**
- **SAAT MENYERVIS, GUNAKAN HANYA KOMPONEN PENGGANTI YANG SAMA.**
- **SELALU: GUNAKAN PELINDUNG MATA, GUNAKAN PELINDUNG, JEPIT BENDA KERJA DALAM VISE, GUNAKAN PERLINDUNGAN PERNAPASAN YANG TEPAT.**
- **JANGAN TERKENA HUJAN ATAU DIGUNAKAN DI LOKASI YANG LEMBAP.**
- **HANYA GUNAKAN PIRINGAN GERGAJI POTONG DENGAN KETEBALAN MAKS. 2,8 MM DAN MAKS. DIAMETER 355 mm.**

Risiko-risiko lain

Risiko-risiko ini rentan terjadi dalam penggunaan mesin-mesin ini:

- Cedera yang diakibatkan karena menyentuh komponen yang berputar.
- Cedera yang disebabkan oleh gangguan piringan pemotong.
- Risiko ini paling sering terjadi:
 - Dalam jangkauan pengoperasian.
 - Dalam jangkauan komponen mesin yang berputar.
- Sekalipun peraturan keselamatan terkait sudah diterapkan dan peralatan pengaman sudah digunakan, risiko-risiko lain tertentu tidak dapat dihindari. Antara lain:
 - Kerusakan indera pendengaran.
 - Risiko kecelakaan yang disebabkan oleh komponen yang terbuka dari piringan pemotong yang berputar.
 - Risiko cedera saat mengganti aksesoris.
 - Risiko jari terjepit saat membuka pelindung.

Tanda pada Alat

Gambar-gambar berikut ini tertera pada alat:



Baca buku petunjuk sebelum penggunaan.



Gunakan pelindung mata.



Gunakan pelindung telinga.



Diameter cakram.

POSISI KODE TANGGAL

Kode tanggal (R), yang juga menyebutkan tahun pembuatan, tercetak di kerangkanya.

Contoh:

2014 XX XX

Tahun Pembuatan

Isi Kemasan

Kemasan memuat:

- 1 Gergaji potong
- 1 Kunci pas
- 1 Buku petunjuk

- Periksa kemungkinan adanya kerusakan pada alat, komponen, atau aksesoris yang bisa jadi terjadi selama transportasi.
- Luangkan waktu untuk membaca seluruh isi buku petunjuk ini dan memahaminya sebelum pengoperasian.

Penjelasan (gambar 1,4)



PERINGATAN: Jangan pernah memodifikasi alat listrik atau komponennya. Ini dapat mengakibatkan kerusakan atau cedera pribadi.

- A. Rantai Gembok
- B. Sekrup Deflektor Percikan Api
- C. Deflektor Percikan Api
- D. Alas
- E. Pembatas
- F. Vise
- G. Kunci Pas Datar
- H. Dongkrak
- I. Pengukur Vise
- J. Piringan
- K. Pelindung
- L. Kunci Kumpanan

- M. Baut Pengatur Kedalaman dan Mur Heksagonal
- N. Tombol Pemicu
- O. Lubang Gembok
- P. Baut Pembatas
- Q. Tombol Pengunci

TUJUAN PENGGUNAAN

Gergaji potong D28720 Anda dirancang untuk pemotongan bahan baja dengan berbagai bentuk.

JANGAN gunakan dalam kondisi basah atau di dekat cairan maupun gas yang mudah terbakar.

Gergaji potong D28720 adalah alat listrik profesional.

JANGAN biarkan anak-anak bersentuhan dengan alat ini. Dibutuhkan pengawasan bila alat ini digunakan oleh operator yang belum berpengalaman.

Keselamatan Kelistrikan

Motor listrik dirancang hanya untuk satu voltase. Selalu periksa apakah catu daya sesuai dengan nilai tegangan yang tercantum pada papan nilai.



Alat DEWALT Anda berisolasi ganda sesuai dengan; sehingga kabel arde (ground) tidak diperlukan.

Bila kabel suplai rusak, harus diganti dengan kabel khusus yang disediakan oleh organisasi layanan DEWALT.

Menggunakan Kabel Ekstensi

Jika kabel ekstensi diperlukan, gunakan kabel ekstensi 3 inti yang disertai dan sesuai untuk masukan daya alat ini (lihat **Data Teknis**). Ukuran konduktor minimum adalah 1,5 mm²; panjang maksimum adalah 30 m.

Bila menggunakan gulungan kabel, selalu ulur kabel sepenuhnya.

Menghubungkan ke Listrik

Catu daya listrik yang akan digunakan untuk mesin ini harus dilengkapi dengan sekring pemotong arus 16 A dengan penundaan waktu.

Voltase Turun

Arus yang masuk menyebabkan penurunan voltase dalam waktu singkat. Jika kondisi catu daya sedang tidak stabil, peralatan lain mungkin terpengaruh.

Jika impedansi sistem catu daya lebih rendah daripada 0,11 Ω, maka tidak mungkin terjadi

gangguan.

CATU DAYA

Pastikan catu daya sesuai dengan penandaan pelat nama. Voltase yang menurun hingga lebih dari 10% akan menyebabkan kekurangan daya dan suhu terlalu panas.

KAPASITAS PEMOTONGAN

Lebar pembuka vise dan titik putar yang tinggi memberikan kapasitas pemotongan untuk banyak potongan besar. Gunakan bagan kapasitas pemotongan untuk menentukan total ukuran maksimum dari potongan yang dapat dibuat dengan piringan baru.



PERHATIAN: BENDA TERTENTU YANG BERUKURAN BESAR, BULAT, ATAU BENDA YANG BERBENTUK TIDAK BERATURAN DAPAT MEMERLUKAN SARANA PENAHAN TAMBAHAN JIKA TIDAK DAPAT DITAHAN DENGAN AMAN DI VISE.



PERHATIAN: JANGAN MEMOTONG MAGNESIUM DENGAN ALAT INI.

Kapasitas Pemotongan Maksimum

CATATAN: Kapasitas yang ditunjukkan pada bagan tidak mengasumsikan keausan piringan atau posisi pembatas maksimum.

Bentuk Benda Kerja:				
90° Sudut Pemotongan	A = 4-7/8" (125mm)	A = 4-1/2" (115mm)	4-1/2" x 5-1/8" (115mm x 130mm) 4" x 7-5/8" (102mm x 188mm) 3" x 7-3/8" (76mm x 229mm)	A = 4-1/2" x 5-3/8" (115mm x 137mm)
45° Sudut Pemotongan	A = 4-1/2" (115mm)	A = 3-13/16" (98mm)	4-1/2" x 3-13/16" (105mm x 95mm) 4-1/8" x 3-3/4" (105mm x 95mm)	A = 3-13/16" (95mm)

Penggunaan Untuk Menjinjing (gbr. 1)

Lipat unit ke posisi di mana Anda dapat menjinjing gergaji. Dorong rantai gembok (A) untuk mengunci tangan. Memasang bantalan alat (gbr.3)

Membuka Kunci (gbr. 1)

Untuk membuka alat dan menaikkan kepala, tekan sedikit lengan motor dan tarik rantai gembok. Lengan motor akan berputar ke atas.

Menyesuaikan Deflektor Percikan Api (Gbr. 1)

Untuk mengalihkan percikan api menjauh dari orang atau bahan di sekitarnya secara maksimum, longgarkan sekrup (B), sesuaikan deflektor percikan api (C), kemudian kencangkan kembali sekrup. Jangan biarkan unit kabel bersentuhan dengan deflektor atau percikan api karena dapat menyebabkan kerusakan unit kabel.

Penghenti Kedalaman (gbr. 1)

Penghenti kedalaman diatur di pabrik untuk piringan 14" baru untuk mencegah piringan memotong ke alas penopang. Untuk memungkinkan kedalaman memotong yang lebih dalam, gunakan kunci pas datar yang disediakan (G) untuk melonggarkan kedalaman baut pengatur kedalaman (M) dan naikan baut ke tinggi yang diinginkan, kemudian putar mur (M) searah jarum jam hingga terpasang kuat pada casting. Kencangkan secara aman baut pengatur kedalaman sebelum digunakan.



PERHATIAN: Saat beralih ke piringan baru, sesuaikan kembali penghenti kedalaman ke posisi awal untuk mencegah memotong alas penopang.

Tombol Pemicu (gbr. 1)

Untuk menjalankan alat, tekan tombol pemicu (N). Untuk mematikan alat, lepaskan tombol pemicu. Jauhkan tangan dan benda kerja dari piringan hingga meluncur ke pemberhentian. Untuk mencegah penggunaan alat yang tidak berwenang, pasang gembok standar (tidak disertakan) ke dalam lubang gembok (O) yang terletak pada pemicu.

Penjepitan Bahan dan Pendukung

- Sudut sebaiknya dijepit dan dipotong dengan kedua kaki menyentuh alas.
- Balok kayu pengatur jarak yang agak menyempit dari benda kerja dapat digunakan untuk meningkatkan penggunaan piringan (Gbr. 2).

- Benda kerja yang panjang harus didukung oleh balok kayu sehingga akan menjadi sejajar dengan bagian atas alas (Gbr. 3). Tepi potong harus bebas jatuh agar menghindari pengikatan piringan.

Pengoperasian Vise (gbr. 4)

Vise (F) memiliki fitur yang berjalan cepat. Untuk melepaskan vise saat dijepit dengan kencang, putar dongkrak (H) berlawanan dengan arah jarum jam satu atau dua kali untuk menghilangkan tekanan penjepit. Angkat tuas vise (I) ke atas. Tarik dongkrak perakitan sejauh yang diinginkan. Vise dapat didorong ke depan ke benda kerja tanpa mendongkraknya. Turunkan tuas vise (I) lalu kencangkan vise (F) pada bahan kerja dengan menggunakan dongkrak (H).

Pengoperasian Pembatas (gbr. 5, 6)

PERHATIAN: Matikan dan cabut alat sebelum melakukan penyetulan atau melepas atau memasang alat atau aksesoris. Pastikan tombol pemicu berada pada posisi OFF. Pembatas (E) dapat disesuaikan dengan dua cara: untuk mengubah sudut potong yang diinginkan dan untuk mengubah jarak antara pembatas dengan vise.

Untuk Mengubah Sudut Potong yang Diinginkan

Gunakan kunci pas yang diberikan untuk melonggarkan (jangan memindahkan) dua baut pembatas (P). Sejajarkan garis indikator sudut yang diinginkan dengan baris slot (Q) pada alas (D). Kencangkan dengan aman kedua baut pembatas sebelum digunakan. Untuk potongan persegi yang lebih akurat, lepaskan catu daya, longgarkan dua baut pembatas, tekan lengan ke bawah hingga piringan meluas ke alas. Letakkan persegi pada piringan dan sesuaikan pembatas terhadap persegi. Kencangkan dengan aman kedua baut pembatas sebelum digunakan. Saat membuat potongan persambungan kayu siku-siku, vise (F) mungkin tidak menjepit dengan aman, bergantung pada ketebalan bahan kerja dan sudut persambungan kayu siku-siku. Alat bantu lain (seperti pegas, bar, atau penjepit C) akan diperlukan untuk mengamankan bahan kerja ke pembatas saat membuat potongan ini.

Untuk Mengubah Jarak antara Pembatas dengan Vise

Dengan menggunakan kunci pas yang diberikan, longgarkan dan pindahkan dua baut pembatas (P).

Sesuaikan pembatas (E) ke lokasi yang diinginkan. Masukkan kedua baut pembatas pada lokasi yang diberikan. Kencangkan dengan aman kedua baut pembatas sebelum digunakan.

Pelepasan dan Pemasangan Piringan (gbr. 7, 8)



PERHATIAN: Matikan dan cabut alat sebelum melakukan penyetulan atau melepas atau memasang alat atau aksesoris. Pastikan tombol pemacu berada pada posisi OFF. Jangan lakukan penyesuaian ketika piringan sedang bergerak. Jangan melakukan penyesuaian saat gergaji potong sedang dicolokkan ke catu daya.

1. Dorong kunci kumparan (L) dan putar piringan (J) dengan tangan hingga tuas kunci piringan menarik celah di pinggir bagian dalam (R) untuk mengunci piringan. Longgarkan baut (S) berlawanan dengan arah jarum di bagian tengah piringan abrasif dengan kunci perentang (G) 8 mm. Baut memiliki galur sisi kanan.
2. Lepaskan baut (S), ring (T), pinggir piringan luar (U), dan piringan lama (J).
3. Pastikan alas piringan roda bersih dan datar. Pasang piringan abrasif baru dengan membalikkan langkah di atas.
4. Jangan mengencangkan baut secara berlebihan.



PERINGATAN: Periksa alas kerja tempat gergaji potong diletakkan saat diganti dengan piringan abrasif yang baru. Piringan mungkin bersentuhan dengan **ITEM ATAU STRUKTUR APA PUN YANG MEMBENTANG DI ATAS** permukaan kerja (di bawah alas) ketika lengan diturunkan sepenuhnya.

SARAN PENGOPERASIAN UNTUK POTONGAN YANG LEBIH AKURAT

- Biarkan piringan melakukan pemotongan. Dorongan yang berlebihan akan menyebabkan piringan berglazur sehingga mengurangi efektivitas dan/atau mengalami pengalihan sehingga menyebabkan potongan yang tidak akurat.
- Sesuaikan sudut pembatas dengan tepat.
- Pastikan bahan berbaring datar di atas alas.
- Jepit bahan dengan benar untuk menghindari pergerakan dan getaran.

PEMERIKSAAN DAN PENGGANTIAN SIKAT MOTOR (GBR. 9)



PERINGATAN: Matikan dan cabut alat. Pastikan tombol pemacu berada pada posisi OFF. Sikat harus diperiksa dari aus secara reguler. Untuk memeriksa sikat, lepaskan sekrup dua penutup ujung (V) dan lepas penutup ujung (W). Melepas penutup sikat (Y). Sikat (X) harus meluncur dengan bebas di kotak sikat. Jika sikat aus hingga .3" (8 mm) seperti ditunjukkan pada Gambar 9, maka sikat harus diganti. Untuk memasang kembali, dorong sikat baru kembali ke dalam kotak sikat. Saat mengganti sikat yang ada, pertahankan orientasi yang sama saat dilepas. Ganti tutup sikat (jangan terlalu kencang). Ganti tutup ujung dan dua sekrup. Kencangkan dengan aman.

PEMELIHARAAN

Alat listrik DEWALT Anda telah dirancang untuk penggunaan jangka panjang dengan pemeliharaan minimal. Kelanjutan hasil pengoperasian yang memuaskan tergantung pada pemeliharaan alat yang benar serta pembersihan yang teratur.



PERINGATAN: Untuk mengurangi risiko cedera, matikan unit dan lepas sambungan mesin dari sumber listrik sebelum memasang dan melepas aksesoris, sebelum menyesuaikan atau mengubah pengaturan, maupun saat melakukan perbaikan. Pastikan tombol pemacu berada pada posisi OFF. Alat yang mendadak menyala dapat mengakibatkan cedera.



Pelumas

Alat listrik Anda tidak membutuhkan pelumas tambahan.



Pembersihan



PERINGATAN: *Semprot ke luar kotoran dan debu pada bodi utama dengan udara kering sesering mungkin saat kotoran terlihat mengendap di dalam dan di sekitar ventilasi udara. Gunakan pelindung mata yang disetujui dan masker debu yang disetujui saat melakukan prosedur ini.*



PERINGATAN: *Jangan gunakan pelarut atau bahan kimia keras lainnya untuk membersihkan bagian alat yang tidak terbuat dari logam. Zat-zat kimia tersebut dapat merapuhkan material komponen-komponen ini. Gunakan kain yang dilembapkan hanya dengan air dan sabun yang lembut. Jangan sampai bagian dalam alat kemasukan air; jangan pernah rendam komponen alat dalam cairan.*

dari sampah rumah tangga, di tempat pembuangan sampah kota atau oleh pedagang ritel pada saat Anda membeli produk baru.

DEWALT menyediakan fasilitas pengumpulan dan pendaurulangan produk-produk DEWALT setelah mencapai akhir usia pakainya. Untuk memanfaatkan layanan ini, harap kembalikan produk Anda kepada agen reparasi resmi yang akan mengumpulkannya atas nama kami.

Anda dapat menemukan lokasi agen reparasi resmi terdekat dengan Anda dengan cara menghubungi kantor DEWALT setempat di alamat yang tercantum pada buku petunjuk ini. Alternatif lainnya, Anda dapat melihat daftar agen reparasi DEWALT resmi dan detail lengkap layanan purna jual serta kontak kami yang tersedia di Internet, di:

www.2helpU.com.

Aksesori Opsional



PERINGATAN: *Berhubung aksesori-aksesori lain, di luar yang disediakan oleh DEWALT, belum pernah diuji coba menggunakan produk ini, maka penggunaan aksesori semacam itu dengan alat ini dapat berbahaya. Untuk mengurangi risiko cedera, gunakan hanya aksesori DEWALT yang disarankan dengan produk ini.*

Tanyakan kepada dealer Anda untuk informasi selengkapnya seputar aksesori yang sesuai.

Melindungi Lingkungan



Pengumpulan terpisah. Produk ini tidak boleh dibuang bersama limbah rumah tangga biasa.

Seandainya suatu hari Anda jumpai produk DEWALT Anda butuh diganti, atau tidak lagi berguna bagi Anda, jangan buang alat ini bersama limbah rumah tangga biasa. Pisahkan pengumpulan produk ini.



Pengumpulan produk dan kemasan bekas secara terpisah memungkinkan material untuk didaur ulang dan digunakan lagi. Penggunaan kembali bahan yang didaur ulang membantu mencegah pencemaran lingkungan dan mengurangi kebutuhan bahan baku.

Undang-undang setempat mungkin memfasilitasi pengumpulan produk-produk kelistrikan terpisah

แท่นตัดไฟเบอร์ D28720

ขอแสดงความยินดี!

คุณสามารถเลือกใช้เครื่องมือของ DEWALT ด้วยประสบการณ์หลายปีที่ผ่านมาในการพัฒนาผลิตภัณฑ์และนวัตกรรมใหม่ๆ ทำให้ DEWALT เป็นหนึ่งในเครื่องมือไฟฟ้าที่น่าเชื่อถือที่สุดสำหรับผู้ใช้เครื่องมือไฟฟ้าระดับมืออาชีพ

ข้อมูลด้านเทคนิค

		D28720-TH
แรงดันไฟฟ้า	V	220-240
กำลังไฟเข้า	วัตต์	2200
ความถี่	Hz	50/60 Hz
ความเร็วขณะไม่มีโหลด	/นาที	3800
เส้นผ่าศูนย์กลางของแผ่นตัด	มม.	355
ความหนาของแผ่นตัด	มม.	2.8

คำจำกัดความ:

ข้อแนะนำด้านความปลอดภัย

คำจำกัดความด้านล่างอธิบายถึงระดับความรุนแรงของคำแต่ละคำที่ใช้เรียกสัญลักษณ์ต่าง ๆ โปรดอ่านคู่มือและใส่ใจกับสัญลักษณ์เหล่านี้



อันตราย: หมายถึงสถานการณ์ที่ก่อให้เกิดอันตรายได้อย่างฉับพลัน ซึ่งหากไม่ระวัง จะทำให้เสียชีวิตหรือบาดเจ็บสาหัสได้



คำเตือน: หมายถึงสถานการณ์ที่มีแนวโน้มว่าจะก่อให้เกิดอันตราย ซึ่งหากไม่ระวัง สามารถทำให้เกิดอันตรายถึงชีวิตหรือบาดเจ็บสาหัสได้



ข้อควรระวัง: หมายถึงสถานการณ์ที่มีแนวโน้มว่าจะก่อให้เกิดอันตราย ซึ่งหากไม่ระวัง อาจทำให้ได้รับบาดเจ็บเล็กน้อยถึงปานกลาง

ข้อสังเกต: หมายถึงการปฏิบัติ ที่ไม่เกี่ยวข้องกับกราดเจ็บส่วนบุคคล ซึ่งหากไม่ระวัง อาจทำให้ทรัพย์สินเสียหาย



แสดงถึงความเสี่ยงจากการถูกไฟฟ้าช็อต



แสดงถึงความเสี่ยงจากการเกิดเพลิงไหม้



คำเตือน: เพื่อลดความเสี่ยงจากการบาดเจ็บ โปรดอ่านคู่มือการใช้งานเล่มนี้

คำเตือนเพื่อความปลอดภัยทั่วไป สำหรับการใช้เครื่องมือไฟฟ้า



คำเตือน! โปรดอ่านคำเตือนและข้อปฏิบัติเพื่อความปลอดภัยทั้งหมด การไม่ปฏิบัติตามคำเตือนและข้อปฏิบัติเหล่านี้ อาจทำให้เกิดไฟฟ้าช็อต เกิดอัมพฤกษ์และ/หรือบาดเจ็บสาหัสได้

โปรดเก็บรักษาคำเตือนและข้อปฏิบัติทั้งหมดไว้ เพื่อใช้อ้างอิงในภายหลัง

คำว่า “เครื่องมือไฟฟ้า” ในคำเตือน หมายถึงเครื่องมือไฟฟ้า (แบบมีสาย) ที่ทำงานผ่านแหล่งจ่ายไฟหลัก หรือเครื่องมือไฟฟ้า (แบบไร้สาย) ที่ทำงานผ่านแบตเตอรี่

1) ความปลอดภัยในบริเวณที่ทำงาน

- รักษาความสะอาดและจัดให้มีแสงสว่างเพียงพอในบริเวณที่ทำงาน** บริเวณที่มีดหรือมีช่องว่างระเกะระกะอาจทำให้เกิดอุบัติเหตุได้
- ห้ามใช้เครื่องมือไฟฟ้าในบริเวณที่อาจเกิดการระเบิด** เช่น ในสถานที่ที่มีของเหลว แก๊ส หรือฝุ่นละอองที่มีคุณสมบัติไวไฟ เครื่องมือไฟฟ้าจะทำให้เกิดประกายไฟที่อาจทำให้เกิดละอองไฟหรือเปลวไฟขึ้นได้
- ระวังไม่ให้เด็กเล็กและคนเดินผ่านไปมาเข้าใกล้ในขณะที่ใช้งานเครื่องมือไฟฟ้า** สิ่งรบกวนอาจทำให้คุณเสียสมาธิได้

2) ความปลอดภัยทางไฟฟ้า

- ปลั๊กไฟของเครื่องต้องเป็นชนิดเดียวกับเต้ารับ** ห้ามตัดแปลงปลั๊กไม่ว่าด้วยวิธีใด ห้ามใช้ปลั๊กอะแดปเตอร์ใด ๆ กับเครื่องมือไฟฟ้าที่ต่อสายดิน (ลงกราวด์) ปลั๊กที่ไม่มีการดัดแปลงและเต้ารับชนิดเดียวกันจะช่วยลดความเสี่ยงจากการเกิดไฟฟ้าช็อต
- หลีกเลี่ยงการสัมผัสพื้นผิวที่ต่อสายดินหรือลงกราวด์** เช่น ท่อ หม้อน้ำ เตาहुงต้ม และตู้เย็น มีความเสี่ยงเพิ่มขึ้นที่จะเกิดไฟฟ้าช็อตหากร่างกายเป็นสื่อเชื่อมต่อดินหรือลงกราวด์

- ค) อย่าให้เครื่องมือไฟฟ้าถูกฝนหรืออยู่ในสภาพที่เปียกชื้น น้ำที่เข้าเครื่องมือไฟฟ้าจะเพิ่มความเสี่ยงในการเกิดไฟฟ้าช็อต
- ง) ห้ามใช้สายไฟผิดวัตถุประสงค์ ห้ามใช้สายไฟเพื่อการหิ้ว ดึง หรือถอดปลั๊กเครื่องมือไฟฟ้า เก็บสายไฟให้พ้นจากความร้อน น้ำมัน ขอน้ำมัน หรือ ชิ้นส่วนที่กำลังเคลื่อนที่ สายไฟที่ชำรุดหรือพันกันเป็นการเพิ่มความเสี่ยงต่อการเกิดไฟฟ้าช็อต
- จ) เมื่อใช้เครื่องมือไฟฟ้านอกอาคาร ให้ใช้สายต่อพ่วงที่เหมาะสมสำหรับการใช้งานนอกอาคาร ใช้สายไฟที่เหมาะสมกับการใช้งานนอกอาคารเพื่อลดความเสี่ยงต่อการเกิดไฟฟ้าช็อต
- ฉ) หากไม่สามารถหลีกเลี่ยงการใช้เครื่องมือไฟฟ้าในบริเวณที่ชื้นและได้ ให้ใช้อุปกรณ์ป้องกันไฟฟ้าสะสม (RCD) ที่จัดไว้ให้ การใช้ RCD จะช่วยลดความเสี่ยงจากการถูกไฟฟ้าช็อต

3) ความปลอดภัยส่วนบุคคล

- ก) ตื่นตัวและมีสมาธิกับสิ่งที่กำลังทำ รวมทั้งใช้สามัญสำนึกในขณะที่กำลังใช้งานเครื่องมือไฟฟ้า ห้ามใช้เครื่องมือไฟฟ้าในขณะที่คุณกำลังเหนื่อยหรือได้รับอิทธิพลจากยา แอลกอฮอล์ หรือการรับประทานบางอย่าง การขาดความระมัดระวังในการใช้เครื่องมือไฟฟ้าแม้ชั่วขณะหนึ่งอาจทำให้บาดเจ็บสาหัสได้
- ข) ใช้อุปกรณ์คุ้มครองความปลอดภัยส่วนบุคคลสวมอุปกรณ์ป้องกันดวงตาเสมอ อุปกรณ์ป้องกัน เช่น หน้ากากกันฝุ่น รองเท้ากันภัยกันลื่น หมวกกันน็อก หรืออุปกรณ์ป้องกันเสียงดังที่ใช้ในสถานที่ที่เหมาะสมจะช่วยลดอาการบาดเจ็บทางร่างกาย
- ค) ป้องกันเครื่องเปิดทำงานโดยไม่ตั้งใจ สวิตช์ต้องอยู่ในตำแหน่งปิดก่อนที่จะเสียบปลั๊กของเครื่องเข้ากับแหล่งจ่ายไฟ และ/หรือแบตเตอรี่หรือถ่านหรือหัวเครื่องมือ การยกเครื่องมือไฟฟ้าในขณะที่นิ้วอยู่ที่สวิตช์ หรือใช้เครื่องมือไฟฟ้าที่สวิตช์เปิดอยู่ อาจทำให้เกิดอุบัติเหตุได้
- ง) ถอดกุญแจปรับแต่งหรือประแจออกก่อนเปิดสวิตช์เครื่องมือไฟฟ้า ประแจหรือกุญแจที่เสียบค้างอยู่ในชิ้นส่วนที่หมุนได้ของเครื่องมือไฟฟ้า อาจทำให้ได้รับบาดเจ็บได้
- จ) ห้ามยืนเขย่งเท้าขณะใช้เครื่อง ควรยืนในท่าที่เหมาะสมและสมดุลตลอดเวลา เพื่อช่วยใน

การควบคุมเครื่องมือไฟฟ้าได้ดียิ่งขึ้นในสถานการณ์ที่ไม่คาดคิด

- ฉ) แต่งกายให้เหมาะสม ห้ามสวมเสื้อผ้าหลวมหรือใส่เครื่องประดับ รวบผม ชายเสื้อ และถุงมือให้ห่างจากชิ้นส่วนที่กำลังหมุน เสื้อผ้าที่หลวมหรือยาวรุ่มร่าม เครื่องประดับ หรือผมที่ยาวอาจเข้าไปพันกับชิ้นส่วนที่กำลังหมุน
- ช) หากมีอุปกรณ์สำหรับชุดและเก็บฝุ่น ต้องตรวจสอบให้แน่ใจว่าได้เชื่อมต่อและใช้งานอุปกรณ์นั้นอย่างเหมาะสม การใช้อุปกรณ์เก็บฝุ่นจะชะงักอันตรายที่เกี่ยวข้องกับฝุ่นได้

4) การใช้และการดูแลรักษาเครื่องมือไฟฟ้า

- ก) ห้ามเดินใช้เครื่องมือไฟฟ้า เลือกใช้เครื่องมือไฟฟ้าที่ถูกต้องตรงกับลักษณะการใช้งานของคุณ เครื่องมือไฟฟ้าที่ถูกต้องย่อมทำงานได้ดีกว่าและปลอดภัยกว่า เมื่อใช้งานตามพิกัดที่เครื่องมือได้รับการออกแบบมา
- ข) ห้ามใช้เครื่องมือไฟฟ้าถ้าสวิตช์เปิดปิดเครื่องไม่ทำงาน เครื่องมือไฟฟ้าที่ไม่สามารถควบคุมผ่านสวิตช์ได้ มีอันตรายและต้องส่งซ่อม
- ค) ถอดปลั๊กของเครื่องมือไฟฟ้าออกจากแหล่งจ่ายไฟ และ/หรือ แบตเตอรี่ก่อนทำการปรับแต่ง เปลี่ยนอุปกรณ์เสริม หรือจัดเก็บมาตรการเพื่อความปลอดภัยเชิงป้องกันนี้จะช่วยลดความเสี่ยงในการเผลอเปิดเครื่องให้ทำงานโดยไม่ตั้งใจ
- ง) เก็บเครื่องมือไฟฟ้าที่ไม่ได้ใช้งานไว้ให้พ้นมือเด็ก และไม่อนุญาตให้บุคคลที่ไม่คุ้นเคยกับเครื่องมือไฟฟ้าหรือข้อปฏิบัติเหล่านี้เป็นผู้ใช้เครื่องมือ เครื่องมือไฟฟ้าจะเป็นอันตรายหากอยู่ในมือผู้ใช้ที่ไม่มีความชำนาญ
- จ) บำรุงรักษาเครื่องมือไฟฟ้า ตรวจสอบว่าชิ้นส่วนที่เคลื่อนที่ได้มีการวางไม่ตรงแนวหรือติดขัดหรือไม่ มีชิ้นส่วนที่แตกหัก และสภาพอื่นใดที่อาจส่งผลกระทบต่อการทำงานของเครื่องมือไฟฟ้าหรือไม่ หากชำรุดเสียหายให้นำเครื่องมือไปส่งซ่อมก่อนนำมาใช้ อุบัติเหตุจำนวนมากเกิดจากการดูแลรักษาเครื่องมือไฟฟ้าไม่ดีพอ
- ฉ) เครื่องมือตัดต้องคมและสะอาดอยู่เสมอ เครื่องมือตัดที่ได้รับการดูแลรักษาอย่างถูกต้องและมีขอบตัดคม จะมีปัญหาติดขัดน้อย และควบคุมได้ง่ายกว่า

- ข) ใช้เครื่องมือไฟฟ้า อุปกรณ์เสริม และดอกสว่าน หรือใบมีดของเครื่องมือ เป็นต้น ให้ตรงตามข้อปฏิบัติเหล่านี้ โดยพิจารณาถึงสภาพการทำงานและงานที่ทำเป็นสำคัญ การใช้เครื่องมือไฟฟ้าทำงานอื่นนอกเหนือจากที่กำหนดไว้ อาจทำให้เกิดอันตรายได้

5) การบริการ

- ก) ให้ช่างซ่อมที่มีความเชี่ยวชาญเป็นผู้ซ่อมเครื่องมือ และใช้อะไหล่แท้เท่านั้น ซึ่งจะช่วยรับประกันได้ว่าเครื่องมือไฟฟ้ายังมีความปลอดภัยอยู่

ข้อปฏิบัติเพื่อความปลอดภัยเพิ่มเติมสำหรับแท่นตัดไฟเบอร์

- สวมอุปกรณ์ป้องกันดวงตาและระบบทางเดินหายใจเสมอ
- ก่อนใช้งาน ให้ตรวจสอบแผ่นตัดเพื่อหารอยแตกหรือรอยร้าว ในกรณีที่มียอยแตกหรือรอยร้าวให้ทิ้งแผ่นตัดไป แผ่นตัดควรได้รับการตรวจสอบทุกครั้งที่คุณคิดว่าอาจมีการทำเครื่องมือหลนพื้นรอยร้าวอาจเป็นสาเหตุให้แผ่นตัดแตกได้
- เมื่อเริ่มเครื่องมือด้วยแผ่นตัดใหม่ หรือแผ่นตัดทดแทน หรือถ้าคุณไม่แน่ใจเกี่ยวกับสภาพของแผ่นตัด ให้เปิดเครื่องมือในบริเวณที่มีการป้องกันอย่างดี และปล่อยให้เครื่องมือทำงานเป็นเวลาหนึ่งนาที ถ้าแผ่นตัดมีรอยร้าวหรือรอยแตกที่ตรวจไม่พบ แผ่นตัดจะแตกออกในเวลาไม่ถึงหนึ่งนาที ห้ามเปิดเครื่องขณะที่มีบุคคลอื่นอยู่ในแนวเดียวกับแผ่นตัด ทั้งนี้รวมถึงผู้ใช้เครื่องมือด้วย
- ระหว่างใช้งาน หลีกเลี่ยงการทำให้แผ่นตัดกระเด็นไปมา หรือใช้งานแผ่นตัดอย่างไม่เหมาะสม ถ้าเกิดเหตุการณ์เช่นนี้ขึ้น ให้หยุดเครื่องมือ และตรวจสอบแผ่นตัดเพื่อหารอยแตกหรือรอยร้าว
- ทำความสะอาดแท่นตัดของคุณเป็นระยะ ๆ โดยทำตามกระบวนการในคู่มือฉบับนี้
- อย่านำตัวป้องกันแผ่นตัดหรือฐานออก
- ใช้คีมจับ หรือที่หนีบพิเศษเพื่อยึดชิ้นงานให้มั่นคงเสมอ อุปกรณ์ช่วยอื่น ๆ เช่น สปริง, บาร์ หรือ C-แคลมป์ อาจเหมาะสำหรับชิ้นงานที่มีขนาดและรูปร่างบางประเภท ใช้ความระมัดระวังในการเลือกและใช้แคลมป์เหล่านี้ และทำให้แท่นก่อนที่จะทำการตัด

- ใช้เฉพาะแผ่นตัด 14" ชั้นที่ 1 ซึ่งมีภาระรอบความเร็วที่ 4100 rpm หรือสูงกว่าเท่านั้น
- ปล่อยให้ชิ้นส่วนที่ตัดออกเย็นลงก่อนจับต้อง
- อย่าพยายามตัดไม้หรือพลาสติกด้วยเครื่องมือนี้
- ห้ามตัดแมกนีเซียมด้วยเครื่องมือนี้
- ใช้แท่นตัดนี้ในบริเวณที่มีการระบายอากาศเป็นอย่างดี
- ปิดแท่นตัดก่อนที่จะหยิบชิ้นส่วนที่ตัดออกจากฐาน
- อย่าตัดวัสดุที่มีกระแสไฟฟ้าไหลผ่าน
- ห้ามใช้ใบเลื่อยวงเดือนหรือใบเลื่อยแบบฟันชนิดอื่นใดกับเครื่องมือนี้ มิฉะนั้นอาจได้รับบาดเจ็บสาหัส
- ห้ามใช้งานเครื่องมือใกล้ของเหลวไวไฟ แก๊สหรือฝุ่นละออง ประกายไฟหรือเศษชิ้นส่วนที่ร้อนจากการตัดหรือการอาร์กที่แรงผ่านมอเตอร์อาจเผาไหม้วัสดุไวไฟได้
- ตรวจสอบให้แน่ใจว่าแผ่นตัดได้รับการติดตั้งอย่างถูกต้องและขันแน่นก่อนการใช้งาน รวมถึงคำแนะนำในการปล่อยเครื่องทำงานโดยไม่มีภาระโหลดในตำแหน่งที่ปลอดภัยเป็นเวลา 30 วินาที ถ้าตรวจพบว่ามีการสั่นค่อนข้างมาก ให้หยุดเครื่องทันทีและเปลี่ยนแผ่นตัด
- อย่าใช้ด้านข้างของแผ่นตัดเพื่อเจียรลบคม การทำเช่นนี้จะทำให้แผ่นตัดอ่อน ทำให้เกิดสภาพการทำงานที่ไม่ปลอดภัย แผ่นตัดอาจหลุดออกมาได้



ข้อควรระวัง: โปรดสวมอุปกรณ์ป้องกันเสียงดังที่เหมาะสมขณะใช้งานเครื่องภายใต้สภาวะบางอย่างและระยะเวลาใช้งานที่ยาวนาน เสียงจากผลิตภัณฑ์นี้อาจทำให้สูญเสียการได้ยิน



ข้อควรระวัง: ตัวบ่งประกายไฟจะร้อนขึ้น หลีกเลี่ยงการสัมผัสหรือการปรับในขณะที่ร้อน เก็บสายไฟและวัสดุต่าง ๆ ให้ห่างจากตัวบ่งประกายไฟ

- หลีกเลี่ยงการสัมผัสฝุ่นละอองจากการขัดกระดาษทราย การเลื่อย การเจียร การเจาะ และกิจกรรมการก่อสร้างอื่นเป็นเวลานานๆ สวมชุดป้องกันและล้างบริเวณที่สัมผัสฝุ่นละอองด้วยสบู่และน้ำ การปล่อยให้ฝุ่นละอองเข้าปาก ตา หรือสัมผัสผิวหนังอาจทำให้มีการติดเชื้อลมพิษที่เป็นอันตราย



คำเตือน: โปรดใช้อุปกรณ์ป้องกันทางเดินหายใจสำหรับป้องกันฝุ่นที่ NIOSH/OSHA รับรองทุกครั้ง เพื่อความสะอาดและความปลอดภัย คำเตือนต่อไปนี้อยู่บนแท่นตัดไฟเบอร์ 14" (355 มม.) ของคุณ:



เพื่อการทำงานที่ปลอดภัย อ่านคู่มือการใช้งาน

- อย่าใช้ใบเลื่อยที่เป็นฟัน
- ใช้เฉพาะแผ่นตัดเสริมแรงที่มีความเร็วรอบ 4100 RPM หรือสูงกว่าเท่านั้น
- ในการซ่อมแซม ให้ใช้เฉพาะอะไหล่ที่ถูกต้องตรงกันเท่านั้น
- ต้อง: สวมอุปกรณ์ป้องกันตา, ใช้เครื่องป้องกัน, ยึดชิ้นงานให้เข้าที่, ใช้เครื่องป้องกันทางเดินหายใจที่เหมาะสมตลอดการใช้งาน
- อย่าให้สัมผัสถูกฟัน หรือใช้ในสถานที่ชื้น
- ใช้แท่นตัดไฟเบอร์เฉพาะวัสดุที่มีความหนามากที่สุด 2.8 มม. และเส้นผ่านศูนย์กลางมากที่สุด 355 มม. เท่านั้น

ความเสี่ยงอื่นๆ ที่ยังมีอยู่

- การใช้งานเครื่องมือเหล่านี้อาจเป็นสาเหตุของความเสี่ยงดังต่อไปนี้:
 - การบาดเจ็บจากการสัมผัสชิ้นส่วนที่กำลังหมุน
 - การบาดเจ็บที่เกิดจากการแตกของแผ่นตัด
- ความเสี่ยงเหล่านี้ชัดเจนมากที่สุด:
 - ภายในช่วงเวลาของการใช้งาน
 - ภายในช่วงเวลาที่ชิ้นส่วนของเครื่องที่กำลังหมุน
- แม้จะปฏิบัติตามข้อกำหนดด้านความปลอดภัยที่เกี่ยวข้องและใช้อุปกรณ์คุ้มครองความปลอดภัยแล้วก็ตาม แต่ก็ไม่สามารถหลีกเลี่ยงความเสี่ยงบางอย่างได้ ความเสี่ยงเหล่านั้นได้แก่:
 - ความบกพร่องในการได้อินเสียง
 - ความเสี่ยงจากอุบัติเหตุที่เกิดจากชิ้นส่วนของแผ่นตัดที่กำลังหมุนที่ไม่ได้ครอบไว้
 - ความเสี่ยงจากการบาดเจ็บขณะเปลี่ยนแผ่นตัด
 - ความเสี่ยงจากการหนีบน้ำมือขณะเปิดตัวครอบ

สัญลักษณ์บนเครื่องมือ

รูปภาพต่อไปนี้จะปรากฏบนเครื่องมือ:



โปรดอ่านคู่มือแนะนำการใช้อก่อนใช้งาน



สวมอุปกรณ์ป้องกันดวงตา



สวมอุปกรณ์ป้องกันหู



เส้นผ่านศูนย์กลางของรูใบตัด

ตำแหน่งของรหัสวันที่

รหัสวันที่ (R) ซึ่งรวมปีที่ผลิตเอาไว้ จะพิมพ์อยู่บนตัวเรือนตัวอย่างเช่น:

2014 XX XX

ปีที่ผลิต

สิ่งที่อยู่ในบรรจุภัณฑ์

ภายในบรรจุภัณฑ์ประกอบด้วย:
แท่นตัดไฟเบอร์ 1 เครื่อง
ประแจ 1 อัน
คู่มือการใช้งาน 1 เล่ม

- โปรดตรวจหาร่องรอยความเสียหายของเครื่องมือชิ้นส่วน หรืออุปกรณ์เสริมที่อาจเกิดขึ้นในระหว่างการขนส่ง
- โปรดอ่านและทำความเข้าใจคู่มือเล่มนี้ก่อนการใช้งาน

คำอธิบาย (รูปที่ 1, 4)



คำเตือน: ห้ามปรับแต่งเครื่องมือไฟฟ้าหรือชิ้นส่วนใด ๆ โดยเด็ดขาด เพราะอาจทำให้เครื่องมือชำรุดหรือได้รับบาดเจ็บได้

- A. โชล็ค
- B. สกรูตัวบังคับประกายไฟ
- C. ตัวบังคับประกายไฟ
- D. ฐาน
- E. แผ่นกัน
- F. เครื่องหนีบ
- G. ประแจแบน
- H. ข้อเหวี่ยง

- I. ระดับเครื่องหนีบ
- J. แผ่นเจียร
- K. ตัวครอบป้องกัน
- L. ล็อคแกน
- M. โบลต์หยุดความลึก และน็อตสวมทับ
- N. สวิตช์
- O. ช่องกุญแจล็อค
- P. โบลต์ที่กั้น
- Q. สวิตช์ล็อคการเปิดทำงาน

วัตถุประสงค์ในการใช้งาน

แผ่นตัดไฟเบอร์ D28720 ออกแบบมาเพื่อตัดวัสดุหลักที่ขึ้นรูปหลากหลายแบบ

ห้ามใช้เครื่องมือนี้ในสภาพที่เปียกชื้นหรือมีของเหลวหรือแก๊สไอไฟ

แผ่นตัดไฟเบอร์ D28720 เป็นเครื่องมือไฟฟ้าระดับมืออาชีพ

ห้ามให้เด็กสัมผัสกับเครื่องมือไฟฟ้านี้ ผู้ใช้งานที่ไม่มีประสบการณ์มาก่อนต้องได้รับการแนะนำเมื่อจะใช้เครื่องมือนี้

ความปลอดภัยทางไฟฟ้า

มอเตอร์ไฟฟ้าออกแบบมาเพื่อใช้กับแรงดันไฟฟ้าขนาดเดียวกันนั้น ต้องตรวจสอบกำลังไฟเพื่อให้ตรงกับแรงดันไฟฟ้าบนแผ่นแสดงพิกัดเสมอ



เครื่องมือไฟฟ้าของ DEWALT ใช้ระบบजनวนสองชั้น จึงไม่จำเป็นต้องใช้สายดิน

ถ้าสายไฟของตัวเครื่องชำรุดเสียหาย ต้องเปลี่ยนเป็นสายไฟที่จัดเตรียมมาเป็นพิเศษซึ่งสั่งซื้อได้จากศูนย์บริการของ DEWALT

การใช้สายพ่วง

ในกรณีที่จำเป็นต้องใช้สายพ่วง ให้ใช้สายพ่วง 3 ขั้วที่มีการรับรองและเหมาะกับปริมาณไฟเข้าของอุปกรณ์ (ดู **ข้อมูลทางเทคนิค**) ขนาดของสายนำไฟฟ้าต่ำสุดคือ 1.5 ตร.มม. ความยาวสูงสุดคือ 30 ม.

เมื่อใช้อุปกรณ์ม้วนเก็บสายไฟ ให้คลายสายไฟออกจนหมดก่อนทุกครั้ง

การต่อกับสายเมน

แหล่งจ่ายไฟหลักที่จะใช้กับเครื่องนี้ต้องติดตั้งฟิวส์คัตเอาต์ 16 A พร้อมตัวหน่วงเวลา

แรงดันไฟตก

กระแสไฟฟ้าไหลเข้าอาจทำให้เกิดสภาวะแรงดันไฟตกในช่วงสั้นๆ ในสภาพแหล่งจ่ายไฟที่ไม่เหมาะสม อุปกรณ์อื่นอาจได้รับผลกระทบ

หากมีความต้านทานไฟฟ้าระบบของแหล่งจ่ายไฟต่ำกว่า 0.11 Ω การรบกวนต่างๆ ไม่น่าจะเกิดขึ้น

แหล่งจ่ายไฟ

ตรวจสอบให้แน่ใจว่าแหล่งจ่ายไฟของคุณตรงกับที่ระบุบนแผ่นป้าย แรงดันไฟฟ้าที่ลดลงมากกว่า 10 เปอร์เซ็นต์จะทำให้เกิดการสูญเสียกำลังและความร้อนสูงเกิน

ความสามารถในการตัด

ช่องเปิดที่กว้าง และจุดหมุนที่สูง ทำให้มีความสามารถในการตัดชิ้นงานขนาดใหญ่ได้หลายชิ้น ใช้ตารางความสามารถในการตัดเพื่อหาขนาดสูงสุดที่สามารถตัดได้ด้วยแผ่นตัดใหม่



ข้อควรระวัง: วัตถุที่มีขนาดใหญ่ เป็นวงกลม หรือมีรูปร่างที่ไม่ปกติ อาจจำเป็นต้องใช้ที่จับเพิ่มเติม ถ้าไม่สามารถยึดได้อย่างแน่นอนหาด้วยเครื่องหนีบ



ข้อควรระวัง: อย่าตัดแมกนีเซียมด้วยเครื่องมือนี้

ความสามารถในการตัดสูงสุด

หมายเหตุ: ความสามารถที่แสดงบนตาราง สมมติว่าไม่มีมีการสึกของแผ่นตัด และวัตถุอยู่ในตำแหน่งที่กินที่เหมาะสมที่สุด

รูปร่างของชิ้นงาน:				
			A x B	
มุมการตัด 90°	A = 4-7/8" (125 มม.)	A = 4-1/2" (115 มม.)	4-1/2" x 5-1/8" (115 มม. x 130 มม.) 4" x 7-5/8" (102 มม. x 188 มม.) 3" x 7-3/8" (76 มม. x 229 มม.)	A = 4-1/2" x 5-3/8" (115 มม. x 137 มม.)
มุมการตัด 45°	A = 4-1/2" (115 มม.)	A = 3-13/16" (98 มม.)	4-1/2" x 3-13/16" 4-1/8" x 3-3/4" (105 มม. x 95 มม.)	A = 3-13/16" 3-3/4" (95 มม.)

การใช้งาน

การถือ (รูปที่ 1)

พับเครื่องลงไปยังตำแหน่งซึ่งคุณสามารถถือแทนตัดได้ ดันโช้ลด์ (A) เข้าไปเพื่อล็อกแขนลง การติดตั้งแทนรองเครื่องมือ (รูปที่ 3)

การปลดล็อก (รูปที่ 1)

ในการปลดล็อกเครื่องมือ และยกหัวขึ้น ให้กดแขนมอเตอร์เบา ๆ และดึงฟินลอค (A) ออกจาก แขนมอเตอร์ จากนั้นหมุนขึ้น

การปรับตัวบังประกายไฟ (รูปที่ 1)

เพื่อเปลี่ยนทิศทางประกายไฟให้ออกจากผู้คนและวัสดุที่อยู่ใกล้เคียงให้ดีที่สุด ให้คลายสกรู (B), ปรับตัวบังประกายไฟ (C) จากนั้นไขสกรูลับให้แน่น อย่าปล่อยให้หลุดสายไฟสัมผัสกับตัวบังประกายไฟ หรือประกายไฟเนื่องจากอาจทำให้เกิดความเสียหายขึ้นได้

ระยะหยุดความลึก (รูปที่ 1)

ระยะหยุดความลึกถูกตั้งค่าที่โรงงานสำหรับแผ่นตัด 14" ใหม่ เพื่อป้องกันไม่ให้แผ่นตัด ตัดเข้าไปในพื้นที่สนับสนุนเพื่ออนุญาตให้ตัดได้ลึกมากขึ้น ให้ใช้ประแจแบน (G) ที่ให้มาเพื่อคลายโบลต์หยุดความลึก (M) และยกโบลต์ขึ้นไปยังความสูงที่ต้องการ จากนั้นหมุนน็อตสวมทับ (M) ตามเข็มนาฬิกา จนกระทั่งยึดบนตัวเครื่องอย่างแน่นหนา ไขโบลต์หยุดความลึกให้แน่นก่อนที่จะใช้



ข้อควรระวัง: ในขณะที่เปลี่ยนไปเป็นแผ่นตัดใหม่ ให้ปรับระยะหยุดความลึกไปยังตำแหน่งดั้งเดิม เพื่อป้องกันไม่ให้ตัดเข้าไปในพื้นที่สนับสนุน

ลิวิตซ์ (รูปที่ 1)

ในการเริ่มเครื่องมือ กดลิวิตซ์ (N) เมื่อต้องการปิดเครื่อง ให้ปล่อยลิวิตซ์ จับแผ่นตัดและวัสดุไว้ จนกระทั่งไปจนถึงระยะหยุด เพื่อป้องกันการใช้เครื่องมือโดยไม่ได้รับอนุญาต ให้ติดตั้งกุญแจล็อกมาตรฐาน (ไม่ได้ให้มา) ลงในกุญแจล็อก (O) ที่อยู่ตรงไป

การหนีบและการรองรับวัสดุ

- มุมที่ดีที่สุดในการหนีบและตัดโดยให้ขาทั้งสองยันอยู่กับฐาน
- สามารถใช้บล็อกของว่างที่แคบกว่าชิ้นงานเล็กน้อย เพื่อเพิ่มการใช้แผ่นตัดได้ (รูปที่ 2)
- ต้องรองรับชิ้นงานที่ยาวด้วยบล็อก เพื่อให้ชิ้นงานได้ระดับกับส่วนบนของฐาน (รูปที่ 3) ปลายที่ตัดออกควรสามารถหล่นลงพื้นได้อย่างอิสระ เพื่อหลีกเลี่ยงการติดกับแผ่นตัด

กระบวนการหนีบ (รูปที่ 4)

เครื่องมือหนีบ (F) มีคุณสมบัติในการเคลื่อนที่รวดเร็ว ในการคลายเครื่องมือเมื่อยึดอย่างแน่นหนา ให้หมุนข้อเหวี่ยง (H) ทวนเข็มนาฬิกาหนึ่งหรือสองครั้ง เพื่อคลายแรงดันของการหนีบ ยกคานเครื่องมือหนีบ (I) ขึ้น ดึงส่วนประกอบของข้อเหวี่ยงออกไปไกลตามที่ต้องการ เครื่องหนีบอาจถูกผลักไปข้างหน้าเพื่อทำงานเมื่อไม่มีข้อเหวี่ยง ลดคานเครื่องมือหนีบ (I) ลง จากนั้นไขเครื่องมือหนีบ (F) บนชิ้นงานเมื่อใช้ข้อเหวี่ยง (H)

การทำงานของที่กัน (รูปที่ 5, 6)

ข้อควรระวัง: ปิดและถอดปลั๊กเครื่องก่อนทำการปรับใด ๆ หรือก่อนถอดหรือใส่อุปกรณ์ยึดติดหรืออุปกรณ์เสริม สวิตช์ต้องอยู่ในตำแหน่ง "ปิด" ที่กัน (E) สามารถปรับไว้ในสองทิศทาง: เพื่อเปลี่ยนมุมการตัดตามต้องการ และเพื่อเปลี่ยนระยะห่างระหว่างที่กันและเครื่องมือหนีบ

ในการเปลี่ยนมุมการตัดที่ต้องการ

ใช้ประแจที่ให้มาเพื่อคลาย (อย่าถอดออก) โบลต์ที่กันสองตัว (P) จัดแนวเส้นตัวระบุมุมที่ต้องการให้ตรงกับเส้นสลอต (A) ในฐาน (D) ไขโบลต์ที่กันทั้งสองตัวให้แน่นก่อนใช้งาน สำหรับการตัดสี่เหลี่ยมที่มีความแม่นยำมากขึ้น ให้ตัดการเชื่อมต่อแหล่งจ่ายไฟ คลายโบลต์ที่กันสองตัว ผลักแขนลงจนกระทั่งแผ่นตัดยึดเข้าไปในฐาน วางแผ่นสี่เหลี่ยมขวางแผ่นตัด และปรับที่กันเพื่อคืนสี่เหลี่ยมไว้ ไขโบลต์ที่กันทั้งสองตัวให้แน่นก่อนใช้งาน เมื่อทำการตัดเพื่อเข้ามุม เครื่องหนีบ (F) อาจยึดชิ้นงานไม่แน่น ขึ้นอยู่กับความหนาของชิ้นงาน และมุมของการเข้ามุม จำเป็นต้องใช้เครื่องช่วยอื่น ๆ (เช่น สปริง, บาร์ หรือ C-แคลมป์) เพื่อยึดชิ้นงานเข้ากับที่กันในขณะที่ทำการตัดในลักษณะเหล่านี้

ในการเปลี่ยนแปลงระยะระหว่างที่กัน และเครื่องหนีบ

ใช้ประแจที่เข้ามาเพื่อคลาย และถอดโบลต์ที่กันสองตัว (P) ออก ปรับที่กัน (E) ไปยังตำแหน่งที่ต้องการ โสโบลต์ที่กันทั้งสองในตำแหน่งที่มีให้ โสโบลต์ที่กันทั้งสองตัวให้แน่น ก่อนใช้งาน

การถอดและการติดตั้งแผ่นตัด (รูปที่ 7, 8)



ข้อควรระวัง: ปิดและถอดปลั๊กเครื่อง ก่อนทำการปรับใด ๆ หรือก่อนถอดหรือใส่อุปกรณ์ยึดติดหรืออุปกรณ์เสริม ตรวจสอบให้แน่ใจว่าสวิตช์อยู่ในตำแหน่ง ปิด อย่าทำการปรับแต่งใด ๆ ในขณะที่ แผ่นตัดมีการเคลื่อนที่ อย่าทำการปรับแต่งใด ๆ ในขณะที่แท่นตัดไฟเบอร์เสียบปลั๊กอยู่กับแหล่งจ่ายไฟ

1. ผลักล็อกแกน (L) และหมุนแผ่นตัด (J) ด้วยมือ จนกระทั่งแกนล็อกแผ่นตัดสวมกับสลอตด้านในแกน (R) เพื่อล็อกแผ่นตัด คลายโบลต์ (S) ทวนเข็มนาฬิกาที่ ศูนย์กลางของแผ่นตัด ด้วยประแจหกเหลี่ยมขนาด 8 มม. (G) โบลต์มีเกลียวแบบขวามือ
2. ถอดโบลต์ (S), แหวน (T), งานด้านนอก (U) และ แผ่นตัดเดิม (J) ออก
3. ให้แน่ใจว่าพื้นผิวของจานสะอาด และเรียบ ติดตั้ง แผ่นตัดใหม่ โดยการทำตามขั้นตอนในลำดับย้อนกลับ
4. แต่อย่าขันแน่นจนเกินไป



คำเตือน: ตรวจสอบพื้นผิวงานที่แท่นตัด ไฟเบอร์จะวางอยู่บน เมื่อเปลี่ยนแผ่นตัดใหม่ เป็นไปได้ว่าแผ่นตัดอาจลัมผัสกับ สิ่งของ หรือโครงสร้างใด ๆ ที่ยึดออกมา เหนือพื้นผิวงาน (ข้างใต้ฐาน) เมื่อลดระดับ แขนลงต่ำสุด

เทคนิคการทำงาน เพื่อการตัดที่มีความแม่นยำมากขึ้น

- ปล่อยให้แผ่นตัดทำการตัด แรงที่มากเกินไป จะทำให้ แผ่นตัดมีประสิทธิภาพในการตัดลดลง และ/หรือมี ทิศทางเบี่ยงเบนไป ซึ่งเป็นสาเหตุให้การตัดไม่แม่นยำ

- ปรับมุมที่กันอย่างเหมาะสม
- ตรวจสอบให้แน่ใจว่าวางวัสดุบนฐานที่เรียบ
- ยึดวัสดุอย่างเหมาะสม เพื่อหลีกเลี่ยงการเคลื่อนที่ และการสั่น

การตรวจสอบและการเปลี่ยน แปรงถ่านมอเตอร์ (รูปที่ 9)



คำเตือน: ให้ปิดเครื่องแล้วจึงถอดปลั๊ก เครื่องมือ ตรวจสอบให้แน่ใจว่าสวิตช์ อยู่ในตำแหน่ง ปิด แปรงถ่านควรได้รับการ ตรวจสอบการสึกกร่อนเป็นประจำ ในการ ตรวจสอบแปรงถ่าน ไส้ลกรูปิดฝาสองตัว (V) และถอดฝา (W) ออก ถอดฝาแปรง (Y) ออก แปรงถ่าน (X) ควรเคลื่อนได้อย่างอิสระในกล่อง แปรง ถ้าแปรงถ่านสึกเหลือน้อยกว่า 0.3" (8 มม.) ดังแสดงในรูปที่ 9 ควรเปลี่ยนอันใหม่ ในการติดตั้งกลับคืน ให้พลิกแปรงใหม่กลับ เข้าไปในกล่องแปรง ถ้าเป็นการใส่แปรงที่มี อยู่เดิมกลับ ให้คงทิศทางเดียวกับในขณะ ที่ ถอดออกมา ปิดฝาแปรงกลับคืน (อย่าไข แน่นเกินไป) ใส่ฝาและลกรูของตัวกลับคืน ที่เดิม ไขให้แน่น

การบำรุงรักษา

เครื่องมือไฟฟ้า DEWALT ออกแบบมาเพื่อให้สามารถใช้งานได้อย่างยาวนานโดยมีการบำรุงรักษาน้อยที่สุด การทำงานที่สร้างความพึงพอใจอย่างต่อเนื่องจะขึ้นอยู่กับ การดูแลรักษาที่เหมาะสมและการทำความสะอาดอย่างสม่ำเสมอ



คำเตือน: เพื่อลดความเสี่ยงจากการ บาดเจ็บ ให้ปิดเครื่องมือและถอดปลั๊ก เครื่องมือออกจากแหล่งจ่ายไฟ ก่อนการ ประกอบและถอดอุปกรณ์เสริม ก่อนการ ปรับแต่งหรือเปลี่ยนชุดติดตั้ง หรือขณะ ทำการซ่อมแซม ตรวจสอบให้แน่ใจว่า สวิตช์ใก้อยู่ในตำแหน่ง "ปิด" การปลดเปิด เครื่องโดยไม่ได้อาจเป็นสาเหตุให้เกิด การบาดเจ็บได้



การหลอ่ลีน

ไม่ต้องใช้สารหลอ่ลีนเพิ่มเติมกับเครื่องมือไฟฟ้านี้



การทำความสะดวก



คำเตือน: เป่าสิ่งสกปรกและฝุ่นละอองที่สะสมออกจากตัวเครื่องเป็นประจำด้วยลมแห้ง เนื่องจากสิ่งสกปรกมักสะสมอยู่ภายในและรอบ ๆ ของระบายอากาศ สวมอุปกรณ์ป้องกันดวงตาและหน้ากากกันฝุ่นที่ได้มาตรฐานในขณะที่ดำเนินการขั้นตอนนี้



คำเตือน: ห้ามใช้สารที่เป็นตัวทำลายหรือสารเคมีที่มีฤทธิ์กัดกร่อนรุนแรงอื่น ๆ ทำความสะดวกชิ้นส่วนของเครื่องมือที่ไม่ใช่โลหะ สารเคมีเหล่านี้อาจส่งผลกระทบต่อผู้ใช้ในชิ้นส่วนเหล่านี้ เช้เฉพาะผ้าชุบน้ำสบู่อ่อน ๆ เท่านั้น อย่าให้มีของเหลวใด ๆ เข้าไปในเครื่องมือเด็ดขาด ห้ามจุ่มส่วนใด ๆ ของเครื่องมือลงในของเหลวเด็ดขาด

อุปกรณ์เสริม



คำเตือน: เนื่องจากอุปกรณ์เสริมอื่นนอกเหนือจากที่ DEWALT มีจำหน่าย ไม่ได้ผ่านการทดสอบร่วมกับผลิตภัณฑ์นี้ การใช้อุปกรณ์เสริมดังกล่าวกับเครื่องมือนี้จึงอาจเป็นอันตรายได้ ลดความเสี่ยงจากการได้รับบาดเจ็บด้วยการใช้อุปกรณ์เสริมเฉพาะที่ DEWALT แนะนำให้ใช้ร่วมกับผลิตภัณฑ์นี้เท่านั้น

โปรดติดต่อตัวแทนจำหน่ายหากต้องการข้อมูลเพิ่มเติมเกี่ยวกับอุปกรณ์เสริมที่เหมาะสม

การปกป้องสิ่งแวดล้อม



การเก็บรวบรวมแบบคัดแยก ห้ามทิ้งผลิตภัณฑ์นี้ร่วมกับขยะในครัวเรือนปกติ

หากวันหนึ่งคุณจำเป็นต้องเปลี่ยนผลิตภัณฑ์ DEWALT ของคุณ หรือเครื่องมือนี้ไม่เป็นประโยชน์สำหรับคุณอีกต่อไป อย่าทิ้งผลิตภัณฑ์นี้ร่วมกับขยะในครัวเรือน จัดการกับผลิตภัณฑ์นี้เพื่อให้พร้อมสำหรับการคัดแยกขยะ



การเก็บรวบรวมแบบคัดแยกสำหรับบรรจุภัณฑ์และผลิตภัณฑ์ที่ใช้แล้วทำให้สามารถรีไซเคิลวัสดุและนำมาใช้งานได้อีกครั้ง การนำวัสดุรีไซเคิลมาใช้นี้ใหม่จะช่วยป้องกันมลพิษต่อสิ่งแวดล้อมและลดความต้องการวัตถุดิบ

ตามกฎหมายระเบียบท้องถิ่นอาจมีการจัดเตรียมสถานที่สำหรับการเก็บรวบรวมแบบคัดแยกอุปกรณ์ไฟฟ้าที่ใช้ภายในครัวเรือนได้ ณ แหล่งรับขยะของเทศบาล หรืออาจมีการรับอุปกรณ์นี้แล้วจากผู้ค้าปลีกในกรณีที่คุณซื้อผลิตภัณฑ์ชิ้นใหม่

คุณสามารถตรวจเช็คศูนย์บริการใกล้บ้านที่ได้รับอนุญาตโดยติดต่อไปที่สำนักงาน DEWALT ประจำพื้นที่ ตามที่อยู่ที่ให้ไว้ในคู่มือเล่มนี้ หรือ คุณอาจตรวจเช็ครายชื่อศูนย์บริการ DEWALT ที่ได้รับอนุญาต รวมทั้งรายละเอียดต่างๆ ของบริการหลังการขายได้ทางอินเทอร์เน็ต ที่:

www.2helpU.com

MÁY CẮT SẮT

D28720

Xin chúc mừng!

Bạn đã chọn dụng cụ DEWALT. Qua nhiều năm kinh nghiệm, những đổi mới và phát triển sản phẩm một cách toàn diện đã giúp DEWALT trở thành một trong những đối tác tin cậy nhất đối với người sử dụng dụng cụ điện cầm tay chuyên nghiệp.

Thông số kỹ thuật

		D28720-VI
Điện áp	V	220-240
Công suất đầu vào	W	2200
Tần số	Hz	50/60 Hz
Tốc độ không tải	/phút	3800
Đường kính đĩa cắt	mm	355
Độ dày đĩa cắt	mm	2.8

Định nghĩa: Hướng dẫn an toàn

Các định nghĩa dưới đây mô tả mức độ nghiêm trọng của từng ký hiệu. Vui lòng đọc hướng dẫn sử dụng và chú ý đến các ký hiệu này.



NGUY HIỂM: Chỉ tình huống nguy hiểm sắp xảy ra mà, nếu không phòng tránh sẽ gây ra tử vong hoặc chấn thương nghiêm trọng.



CẢNH BÁO: Chỉ tình huống nguy hiểm tiềm ẩn mà, nếu không phòng tránh, có thể gây tử vong hoặc chấn thương nghiêm trọng.



THẬN TRỌNG: Chỉ tình huống nguy hiểm tiềm ẩn mà, nếu không phòng tránh, có thể gây chấn thương vừa hoặc nhẹ.

LƯU Ý: Chỉ một hoạt động không liên quan đến chấn thương cá nhân mà, nếu không phòng tránh, có thể gây hư hỏng tài sản.



Biểu thị nguy cơ bị điện giật.



Biểu thị nguy cơ hỏa hoạn.



CẢNH BÁO: Để giảm nguy cơ chấn thương, hãy đọc sổ tay hướng dẫn.

Cảnh báo chung về an toàn đối với dụng cụ điện cầm tay



CẢNH BÁO! Hãy đọc tất cả các cảnh báo và hướng dẫn về an toàn. Việc không tuân theo các cảnh báo và hướng dẫn có thể dẫn đến điện giật, cháy nổ và/hoặc chấn thương nghiêm trọng.

GIỮ LẠI TẤT CẢ CÁC CẢNH BÁO VÀ HƯỚNG DẪN ĐỂ THAM KHẢO VỀ SAU

Thuật ngữ “dụng cụ điện cầm tay” trong phần cảnh báo chỉ thiết bị chạy bằng điện nguồn (có dây điện) hoặc thiết bị chạy bằng pin (không có dây điện).

1) AN TOÀN TẠI NƠI LÀM VIỆC

- Giữ cho nơi làm việc luôn sạch sẽ và đủ ánh sáng. Những khu vực bừa bộn hoặc thiếu ánh sáng dễ gây tai nạn.
- Không vận hành dụng cụ điện cầm tay trong các môi trường dễ cháy nổ, như các môi trường có chất lỏng, khí hoặc bụi dễ cháy. Dụng cụ điện cầm tay tạo ra các tia lửa điện có thể gây cháy bụi hoặc bốc khói.
- Không cho trẻ em và những người quan sát lại gần khi đang vận hành dụng cụ điện cầm tay. Những lúc xao lãng có thể khiến bạn mất kiểm soát.

2) AN TOÀN ĐIỆN

- Phích cắm của dụng cụ điện cầm tay phải vừa với ổ cắm. Không được sửa đổi phích cắm dưới bất kỳ hình thức nào. Không được sử dụng các phích cắm chuyên đổi với những dụng cụ điện cầm tay có nối đất. Phích cắm nguyên trạng và ổ cắm phù hợp sẽ giúp giảm nguy cơ bị điện giật.
- Tránh tiếp xúc với các bề mặt được nối đất như đường ống, lò sưởi, bếp nướng và tủ lạnh. Nguy cơ bị điện giật sẽ cao hơn nếu cơ thể bạn tiếp xúc trực tiếp với đất.
- Không được để các dụng cụ điện cầm tay ngoài trời mưa hoặc nơi ẩm ướt. Nước vào trong dụng cụ điện cầm tay sẽ làm tăng nguy cơ bị điện giật.
- Không được dùng dây điện cho các mục đích khác. Tuyệt đối không sử dụng dây điện để mang, kéo hoặc rút phích cắm dụng cụ điện cầm tay. Để dây điện cách xa nguồn nhiệt, dầu mỡ, các cạnh sắc

hoặc các bộ phận chuyển động. Dây điện bị hỏng hoặc bị vướng sẽ làm tăng nguy cơ bị điện giật.

- e) **Khi vận hành dụng cụ điện cầm tay ngoài trời, hãy sử dụng dây nối dài phù hợp để sử dụng ngoài trời.** Sử dụng dây điện phù hợp để sử dụng ngoài trời sẽ giảm nguy cơ bị điện giật.
- f) **Nếu bắt buộc phải vận hành dụng cụ điện cầm tay ở nơi ẩm ướt, hãy sử dụng nguồn được bảo vệ bởi thiết bị ngắt mạch tự động (RCD).** Sử dụng RCD sẽ giảm nguy cơ bị điện giật.

3) AN TOÀN CÁ NHÂN

- a) **Hãy tập trung, chú ý vào những gì bạn đang làm và tỉnh táo khi vận hành dụng cụ điện cầm tay.** Không sử dụng dụng cụ điện cầm tay khi bạn đang mệt hoặc chịu ảnh hưởng của rượu bia, ma túy hoặc chất kích thích. Một khoảnh khắc mất tập trung trong khi vận hành dụng cụ điện cầm tay cũng có thể dẫn đến chấn thương cá nhân nghiêm trọng.
- b) **Sử dụng thiết bị bảo hộ cá nhân.** Luôn đeo kính bảo hộ. Thiết bị bảo hộ như mặt nạ chống bụi, giày chống trượt, mũ cứng hoặc thiết bị bảo vệ tai nếu được sử dụng ở những điều kiện phù hợp sẽ giúp giảm các chấn thương cá nhân.
- c) **Tránh vô tình bật máy.** Đảm bảo rằng công tắc ở vị trí tắt trước khi nối với nguồn điện và/hoặc pin, khi cầm lên hoặc mang dụng cụ. Việc mang dụng cụ điện cầm tay khi ngón tay đặt vào công tắc hoặc sạc pin cho dụng cụ điện cầm tay khi công tắc đang bật có thể gây tai nạn.
- d) **Hãy tháo hết khóa điều chỉnh hoặc cờ lê trước khi bật dụng cụ điện cầm tay.** Việc không tháo cờ lê hoặc khóa điều chỉnh ra khỏi dụng cụ điện cầm tay có thể gây ra chấn thương cá nhân.
- e) **Không được với tay.** Hãy đứng ở tư thế thích hợp và luôn giữ thăng bằng. Điều đó giúp kiểm soát dụng cụ điện cầm tay tốt hơn trong các tình huống không thể lường trước.
- f) **Mặc quần áo phù hợp.** Không được mặc quần áo rộng hoặc đeo đồ trang sức. Giữ cho tóc, quần áo và găng tay tránh xa khỏi các bộ phận chuyển động. Quần áo rộng, đồ trang sức hoặc tóc dài có thể bị vướng vào các bộ phận chuyển động.
- g) **Nếu cần thiết bị được cung cấp để nối các phương tiện hút và gom bụi, hãy đảm bảo những thiết bị này được nối và sử dụng đúng cách.** Sử dụng thiết bị gom

bụi có thể giảm các nguy cơ liên quan đến bụi.

4) SỬ DỤNG VÀ BẢO QUẢN DỤNG CỤ ĐIỆN CẦM TAY

- a) **Sử dụng dụng cụ điện cầm tay phù hợp.** Sử dụng dụng cụ điện cầm tay phù hợp với mục đích của bạn. Sử dụng đúng dụng cụ điện sẽ đem lại hiệu quả công việc tốt hơn và an toàn hơn theo đúng thiết kế.
- b) **Không sử dụng dụng cụ điện cầm tay nếu công tắc không bật và tắt được.** Mọi dụng cụ điện cầm tay không điều khiển được bằng công tắc đều rất nguy hiểm và cần phải được sửa chữa.
- c) **Rút phích cắm dụng cụ điện cầm tay khỏi nguồn điện và/hoặc pin trước khi thực hiện các điều chỉnh, thay đổi phụ kiện hoặc cắt giữ dụng cụ.** Các biện pháp an toàn phòng ngừa đó giúp giảm nguy cơ vô tình khởi động dụng cụ điện cầm tay.
- d) **Bảo quản các dụng cụ điện cầm tay không sử dụng tránh xa tầm tay trẻ em và không cho phép những người không quen với dụng cụ điện cầm tay hoặc những hướng dẫn này vận hành dụng cụ điện cầm tay.** Dụng cụ điện cầm tay sẽ rất nguy hiểm khi được sử dụng bởi những người chưa được huấn luyện.
- e) **Bảo trì dụng cụ điện cầm tay.** Kiểm tra các bộ phận di chuyển xem có bị lầy lệch hoặc kẹt không, các bộ phận có bị vỡ không và bất kỳ tình trạng nào khác có thể ảnh hưởng đến việc vận hành dụng cụ điện cầm tay. Nếu dụng cụ điện cầm tay bị hỏng, hãy sửa chữa trước khi sử dụng. Rất nhiều tai nạn xảy ra do công tác bảo trì các dụng cụ điện kém.
- f) **Giữ cho các dụng cụ cắt luôn sắc và sạch sẽ.** Các dụng cụ cắt được bảo trì đúng cách với các cạnh cắt sắc sẽ ít bị kẹt hơn và dễ điều khiển hơn.
- g) **Sử dụng dụng cụ điện cầm tay, các phụ kiện và mũi cắt, v.v...theo các chỉ dẫn này, để ý đến các điều kiện làm việc và công việc cần thực hiện.** Sử dụng dụng cụ điện cầm tay sai mục đích có thể gây nguy hiểm.

5) BẢO DƯỠNG

- a) **Hãy để nhân viên bảo dưỡng có chuyên môn tiến hành bảo dưỡng dụng cụ điện cầm tay cho bạn, chỉ sử dụng các phụ tùng thay thế chính hãng.** Điều này giúp đảm bảo độ an toàn của dụng cụ điện cầm tay đó.

Các hướng dẫn an toàn khác cho máy cắt sắt

- Luôn đeo khẩu trang và kính bảo hộ.
- Trước khi sử dụng, hãy kiểm tra xem đĩa cắt có bị rạn nứt không. Nếu phát hiện rạn nứt, hãy vứt bỏ đĩa cắt. Bạn cũng nên kiểm tra đĩa cắt bất cứ khi nào bạn cho rằng dụng cụ có thể đã bị rơi. Đĩa cắt rạn nứt có thể sẽ bị vỡ.
- Khi khởi động dụng cụ với một đĩa mới hoặc đĩa đã thay thế hoặc nếu bạn không chắc chắn về điều kiện của đĩa cắt, để dụng cụ ở nơi an toàn và vận hành dụng cụ trong vòng một phút. Nếu đĩa cắt có vết rạn nứt khó phát hiện, đĩa có thể bị vỡ trong chưa đầy một phút. Tuyệt đối không khởi động dụng cụ khi có người đứng gần đĩa cắt. Kể cả người vận hành.
- Trong khi vận hành, tránh để đĩa cắt nảy lên hoặc tác động mạnh vào đĩa. Nếu xảy ra trường hợp đó, hãy dừng dụng cụ và kiểm tra xem đĩa cắt có bị rạn nứt không.
- Vệ sinh máy cắt sắt định kỳ theo quy trình trong sổ tay hướng dẫn này.
- Không tháo vành chắn đĩa cắt hoặc chân đế.
- **LUÔN SỬ DỤNG Ê-TÔ HOẶC ĐÓ GÁ ĐẶC BIỆT ĐỂ KÉP CHẶT PHÔI GIA CÔNG.** Các dụng cụ phụ trợ khác như lò xo, thước thanh hoặc kẹp chữ C có thể thích hợp với các phôi gia công có kích thước và hình dạng khác nhau. Cần thận trọng trong việc chọn và đặt các kẹp này, đồng thời chạy không tải trước khi tiến hành cắt.
- Chỉ sử dụng đĩa cắt 14 inch loại 1 chạy ở tốc độ tối thiểu 4100 vòng/phút.
- Để nguội các bộ phận đã cắt trước khi tiến hành xử lý.
- Không cố gắng cắt gỗ hoặc nhựa bằng dụng cụ này.
- **TUYỆT ĐỐI KHÔNG ĐƯỢC CẮT MA GIẾ BẰNG DỤNG CỤ NÀY.**
- Sử dụng máy cắt sắt ở khu vực thoáng khí.
- Tắt máy cắt sắt trước khi lấy phôi gia công ra khỏi chân đế.
- **KHÔNG ĐƯỢC CẮT VẬT LIỆU CÓ ĐIỆN.**
- Không sử dụng lưỡi cắt tròn hoặc lưỡi cắt có răng khác cho dụng cụ này. Điều này có thể gây chấn thương nghiêm trọng.
- **KHÔNG VẬN HÀNH DỤNG CỤ NÀY GẦN CÁC CHẤT LỎNG, KHÍ HOẶC BỤI ĐỀ CHÁY.** Tia lửa hoặc mặt giữa nóng do cắt

hoặc hàn hồ quang chổi than động cơ có thể khiến các vật liệu này bốc cháy.

- Cảnh báo nhằm đảm bảo lắp đúng và vận chặt đĩa cắt trước khi sử dụng vào hoặc hướng dẫn để vận hành máy ở tốc độ không tải trong 30 giây tại vị trí an toàn, dừng ngay lập tức và thay thế đĩa cắt trong trường hợp rung đáng kể.
- Không mài trên cạnh của đĩa cắt. Làm vậy sẽ khiến đĩa cắt bị yếu và gây mất an toàn. Đĩa cắt có thể bị rơi ra.



THẬN TRỌNG: Đeo thiết bị bảo vệ tai thích hợp trong quá trình sử dụng. Trong một số điều kiện và sau một thời gian vận hành, tiếng ồn phát sinh từ máy có thể gây giảm thính lực.



THẬN TRỌNG: Tắm chắn tia lửa sẽ nóng lên. Tránh chạm vào hoặc điều chỉnh tấm chắn này khi còn nóng. Để dây và các vật liệu tránh xa khỏi tấm chắn tia lửa.

- **Tránh tiếp xúc với bụi từ các hoạt động chà nhám, cắt sắt, cắt, khoan và các hoạt động xây dựng khác trong thời gian dài. Đeo khẩu trang và cọ rửa các khu vực tiếp xúc bằng nước và xà phòng.** Nếu để bụi bay vào miệng, mắt hoặc bám vào da có thể sẽ tạo điều kiện cho các hóa chất độc hại xâm nhập.



CẢNH BÁO: Luôn luôn đeo dụng cụ bảo vệ đường hô hấp được phê duyệt NIOSH/OSHA tại khu vực nhiều bụi. Không hường bụi, hạt vào mặt và cơ thể. Để giúp bạn sử dụng tiện lợi và an toàn, trên máy cắt sắt cỡ lớn 14 inch (355 mm) có những cảnh báo sau:



ĐỂ VẬN HÀNH AN TOÀN, HÃY ĐỌC SỔ TAY HƯỚNG DẪN.

- **KHÔNG SỬ DỤNG CÁC LƯỠI CẮT CÓ RĂNG.**
- **CHỈ SỬ DỤNG CÁC ĐĨA CẮT ĐÃ GIA CÔNG CÓ TỐC ĐỘ TỐI THIỂU 4100 VÒNG/PHÚT.**
- **KHI BẢO DƯỠNG, CHỈ SỬ DỤNG PHỤ TÙNG THAY THẾ CHÍNH HÃNG.**
- **LUÔN: ĐEO KÍNH BẢO HỘ, SỬ DỤNG VÀNH CHẮN, KÉP PHÔI GIA CÔNG BẰNG Ê-TÔ, SỬ DỤNG KHẨU TRANG THÍCH HỢP.**
- **KHÔNG ĐỂ MÁY Ở NGOÀI TRỜI MƯA HOẶC SỬ DỤNG Ở NƠI ẨM ƯỚT.**
- **CHỈ SỬ DỤNG ĐĨA CẮT SẮT CÓ ĐỘ DÀY TỐI ĐA 2,8 MM VÀ ĐƯỜNG KÍNH TỐI ĐA**

355 MM.

Các nguy cơ khác

- Có thể xảy ra các nguy cơ sau khi dùng những máy này:
 - Chấn thương do chạm vào các bộ phận đang quay.
 - Chấn thương do vỡ đĩa cắt.
- Những nguy cơ này dễ xảy ra nhất:
 - Trong phạm vi vận hành.
 - Trong phạm vi hoạt động của các bộ phận quay của máy.
- Kể cả việc áp dụng các quy tắc an toàn liên quan và dùng các thiết bị an toàn cũng không thể tránh được một số nguy cơ khác. Những nguy cơ này gồm:
 - Suy giảm thính lực.
 - Nguy cơ tai nạn do các phần không được chắn của đĩa cắt quay.
 - Nguy cơ chấn thương khi thay đĩa cắt.
 - Nguy cơ bị chèn các ngón tay khi mở vành chắn.

Ký hiệu trên dụng cụ

Trên dụng cụ có các ký hiệu sau:



Đọc kỹ hướng dẫn sử dụng trước khi dùng.



Đeo kính bảo hộ.



Đeo thiết bị bảo vệ tai.



Đường kính trong.

VỊ TRÍ MÃ NGÀY

Mã ngày (R), bao gồm cả năm sản xuất, được in trên vỏ máy.

Ví dụ:

2014 XX XX

Năm sản xuất

Thiết bị trong hộp

Hộp sản phẩm bao gồm:

- 1 Máy cắt sắt
- 1 Cờ lê
- 1 Hướng dẫn sử dụng

- Kiểm tra dụng cụ, các bộ phận hoặc phụ kiện xem có bị hư hỏng do quá trình vận chuyển hay không.
- Dành thời gian đọc kỹ và hiểu rõ hướng dẫn sử dụng trước khi vận hành máy.

Mô tả (hình 1.4)



CẢNH BÁO: Không chỉnh sửa dụng cụ điện cầm tay hay bất kỳ bộ phận nào của máy. Việc chỉnh sửa có thể làm hỏng máy hoặc gây chấn thương cá nhân.

- A. Dây xích khóa
- B. Vít tằm chắn tia lửa
- C. Tấm chắn tia lửa
- D. Chân đế
- E. Tấm chắn
- F. Ê-tô
- G. Cờ lê dẹt
- H. Tay quay
- I. Chốt ê-tô
- J. Đĩa cắt
- K. Vành chắn
- L. Khóa hãm trực
- M. Bu-lông hãm sâu và đai ốc hãm
- N. Công tắc khởi động
- O. Lỗ khóa móc
- P. Bu-lông tấm chắn
- Q. Công tắc khóa

MỤC ĐÍCH SỬ DỤNG

Máy cắt sắt D28720 này được thiết kế để cắt các vật liệu thép với các hình dạng khác nhau.

KHÔNG sử dụng máy ở những nơi ẩm ướt hoặc có chất lỏng hoặc khí dễ cháy.

Máy cắt sắt D28720 là một dụng cụ điện cầm tay chuyên nghiệp.

KHÔNG để trẻ em lại gần dụng cụ. Cần phải có người giám sát khi dụng cụ này được vận hành bởi người chưa có kinh nghiệm.

An toàn điện

Động cơ điện được thiết kế để sử dụng tại một mức điện áp duy nhất. Luôn kiểm tra nguồn điện vào xem có tương ứng với điện áp trên tấm định mức hay không.



Dụng cụ DEWALT này được cách điện kép; do đó, không cần dây nối đất.

Nếu dây cáp điện bị hỏng, phải thay bằng dây mới được cung cấp riêng tại các cơ sở bảo dưỡng của DEWALT.

Sử dụng dây điện nối dài

Nếu cần dây điện nối dài, hãy sử dụng loại dây 3 lõi được chấp nhận là phù hợp với công suất đầu vào của dụng cụ này (xem phần **Thông số kỹ thuật**). Kích thước dây dài tối thiểu là 1,5 mm²; chiều dài tối đa là 30 m.

Khi sử dụng tang dây, luôn trải hết dây ra.

Nối với nguồn điện

Nguồn điện được sử dụng cho máy này phải được trang bị cầu chì tự reset 16 A có thời gian trễ.

Sụt điện áp

Dòng kích từ gây ra hiện tượng sụt giảm điện áp trong thời gian ngắn. Nguồn điện không đủ có thể gây ảnh hưởng tới các thiết bị khác.

Nếu tổng trở của nguồn nhỏ hơn 0,11 Ω thì sẽ không xảy ra hiện tượng nhiễu.

NGUỒN ĐIỆN

Đảm bảo nguồn điện phù hợp với thông số trên nhãn dụng cụ. Điện áp giảm 10% có thể dẫn tới mất điện và quá nhiệt.

CÔNG SUẤT CẮT

Khe hở ê-tô và điểm chốt xoay cao khiến dụng cụ có thể cắt phi gia công với nhiều kích thước khác nhau. Sử dụng biểu đồ công suất cắt để xác định tổng kích thước tối đa mà một đĩa cắt mới có thể thực hiện cắt.



THẬN TRỌNG: CÓ THỂ CẢN THÊM CÁC PHƯƠNG TIỆN GÁ KẸP ĐỐI VỚI CÁC VẬT CỠ LỚN, HÌNH TRÒN HOẶC HÌNH DẠNG KHÁC THƯỜNG NẾU KHÔNG THỂ GIỮ CHẶT BẢNG Ê-TÔ.



THẬN TRỌNG: KHÔNG ĐƯỢC CẮT MA GIẾ BẰNG DỤNG CỤ NÀY

Công suất cắt tối đa

LƯU Ý: Công suất ghi trên bảng là khi không có đĩa cắt và vị trí tấm chắn tối ưu.

Hình dạng phi				
Góc cắt 90°	A = 4-7/8" (125mm)	A = 4-1/2" (115mm)	4-1/2" x 5-1/8" (115mm x 130mm) 4" x 7-5/8" (102mm x 188mm) 3" x 7-3/8" (76mm x 229mm)	A = 4-1/2" x 5-3/8" (115mm x 137mm)
Góc cắt 45°	A = 4-1/2" (115mm)	A = 3-13/16" (98mm)	4-1/2" x 3-13/16" (105mm x 95mm)	A = 3-13/16" 3-3/4" (95mm)

Sử dụng

Cách cầm (hình 1)

Uốn dụng cụ xuống vị trí bạn có thể cầm cưa. Ấn vào dây xích khóa (A) để ghi tay gạt xuống. Lắp thanh tựa của dụng cụ (hình 3)

Mở khóa (hình 1)

Để mở khóa dụng cụ và nâng đầu lên, ấn nhẹ tay gạt động cơ và kéo dây xích khóa (A) ra. Sau đó tay gạt động cơ sẽ xoay lên.

Điều chỉnh tấm chắn tia lửa (hình 1)

Để tránh tia lửa bắn vào những người và vật liệu xung quanh, vặn lỏng vít (B) ra, điều chỉnh tấm chắn tia lửa (C) và sau đó vặn chặt vít lại. Không để dây điện tiếp xúc với tấm chắn hoặc tia lửa vì có thể làm hỏng dây.

Chốt chặn độ sâu (hình 1)

Chốt chặn độ sâu được đặt tại nhà máy cho đĩa cắt 14 inch nhằm ngăn cho đĩa cắt khỏi cắt vào mặt đỡ. Để có thể cắt sâu hơn, hãy sử dụng cờ lê dẹt (G) để vặn lỏng bu lông chốt chặn độ sâu (M) rồi nâng bu lông tới độ cao mong muốn và sau đó vặn đai ốc hãm (M) theo chiều kim đồng hồ cho tới khi bắt chặt vào khuôn. Vặn chặt bu lông chốt chặn trước khi sử dụng.



THẬN TRỌNG: Khi thay đĩa cắt mới, hãy điều chỉnh lại chốt chặn độ sâu về vị trí ban đầu để tránh cắt vào mặt đỡ.

Công tắc khởi động (hình 1)

Để khởi động dụng cụ, ấn công tắc khởi động (N). Để tắt dụng cụ, nhấn công tắc khởi động. Giữ cho tay và vật liệu tránh xa khỏi đĩa cắt cho tới

khí đĩa cắt dừng lại. Để ngăn việc sử dụng dụng cụ trái phép, lắp một khóa móc chuẩn (không cung cấp kèm theo máy) vào lỗ khóa móc (O) ở công tắc khởi động.

Kẹp và đỡ vật liệu

- Các góc được kẹp và cắt bằng cách đặt các gối đỡ dựa vào chân đế.
- Có thể sử dụng khối đệm nhẹ hơn một chút sao với phôi gia công để tăng hiệu quả sử dụng đĩa (Hình 2).
- Phải đỡ phôi gia công dài bằng một khối để phôi gia công cao bằng đỉnh chân đế (Hình 3). Đầu cắt phải rời xuống tự do để tránh dính vào đĩa cắt.

Vận hành ê-tô (hình 4)

Ê-tô (F) có đặc tính di chuyển nhanh. Để tháo ê-tô khi đang được kẹp chặt, hãy vận tay quay (H) ngược chiều kim đồng hồ một hoặc hai lần để giảm lực kẹp. Nâng chốt ê-tô lên (I). Kéo tay quay ra theo mong muốn. Có thể đẩy ê-tô về phía trước vào phôi gia công và không cần lắp tay quay. Hạ chốt ê-tô (I) xuống, sau đó vận chặt ê-tô (F) vào phôi gia công bằng cách dùng tay quay (H).

Vận hành tấm chắn (hình 5, 6)

THẬN TRỌNG: Tắt và rút nguồn dụng cụ trước khi điều chỉnh hoặc tháo hoặc lắp đồ gá hoặc phụ kiện. Đảm bảo công tắc khởi động ở vị trí OFF. Có thể điều chỉnh tấm chắn (E) theo hai cách: điều chỉnh góc cắt mong muốn và điều chỉnh khoảng cách giữa tấm chắn và ê-tô.

Điều chỉnh góc cắt mong muốn

Sử dụng cờ lê để vận lỏng (không tháo) hai bu lông tấm chắn (P). Lắp bộ phận chỉ báo góc mong muốn khớp với khe (Q) trên chân đế (D). Vận chặt cả hai bu lông tấm chắn trước khi sử dụng. Để cắt hình vuông chính xác hơn, ngắt nguồn điện, vận lỏng hai bu lông tấm chắn, đẩy tay gạt xuống cho tới khi đĩa cắt đi hết chân đế. Đặt phôi gia công hình vuông sát vào đĩa cắt và điều chỉnh tấm chắn theo phôi gia công hình vuông. Vận chặt cả hai bu lông tấm chắn trước khi sử dụng. Khi cắt vát, ê-tô (F) có thể không kẹp chặt, tùy vào độ dày của phôi gia công và góc vát. Các dụng cụ phụ trợ khác như lò xo, thanh đỡ hoặc kẹp chữ C sẽ cần thiết để bảo vệ phôi gia công với tấm chắn khi tiến hành cắt vát.

Điều chỉnh khoảng cách giữa tấm chắn và ê-tô

Sử dụng cờ lê để vận lỏng và tháo hai bu lông tấm chắn (P). Điều chỉnh tấm chắn (E) tới vị trí mong muốn. Vận hai bu lông tấm chắn vào các vị trí đó. Vận chặt cả hai bu lông tấm chắn trước khi sử dụng.

Tháo lắp đĩa cắt (hình 7, 8)



THẬN TRỌNG: Tắt và rút nguồn dụng cụ trước khi điều chỉnh hoặc tháo hoặc lắp đồ gá hoặc phụ kiện. Đảm bảo công tắc khởi động ở vị trí OFF. Không được điều chỉnh khi đĩa cắt đang chuyển động. Không được điều chỉnh khi máy cắt sắt đang cắm vào nguồn điện.

1. Ấn khóa hãm trục (L) và quay đĩa (J) bằng tay cho tới khi cần khóa đĩa khớp vào khe ở mặt bích trong (R) để khóa đĩa cắt. Vận lỏng bu lông (S) ngược chiều kim đồng hồ ở tâm của đĩa cắt bằng cờ lê lục giác 8 mm (G). Bu lông có ren thuận.
2. Tháo bu lông(S), gioăng (T), mặt bích ngoài (U) và đĩa cũ (J).
3. Đảm bảo bề mặt mặt bích sạch và phẳng. Lắp đĩa cắt mới theo các bước ngược lại ở trên.
4. Không được vận bu lông quá chặt.



CẢNH BÁO: Kiểm tra bề mặt gia công sao cho máy cắt sắt đứng yên khi thay đĩa cắt mới. Đĩa cắt có thể chạm vào **CÁC VẬT HOẶC CẤU TRÚC LỚN HƠN** bề mặt gia công (dưới chân đế) khi hạ hết tay gạt xuống.

MẸO VẬN HÀNH ĐỂ CẮT CHÍNH XÁC HƠN

- Để đĩa cắt tiến hành cắt. Dùng lực quá mạnh sẽ khiến đĩa cắt bị mòn, làm giảm hiệu quả cắt và/hoặc đĩa cắt bị lệch dẫn tới cắt không chính xác.
- Điều chỉnh góc tấm chắn hợp lý.
- Đảm bảo vật liệu được đặt phẳng trên chân đế.
- Kẹp vật liệu cho phù hợp để tránh bị di chuyển hay rung.

KIỂM TRA VÀ THAY THẾ CHỖI THAN ĐỘNG CƠ (HÌNH 9)



CẢNH BÁO: Tắt và rút dây nguồn của dụng cụ. Đảm bảo công tắc

khởi động ở vị trí OFF. Chổi than phải được kiểm tra thường xuyên xem có bị mòn hay không. Để kiểm tra chổi than, tháo vít ở hai đầu nắp (V) và tháo nắp (W). Tháo nắp chổi than (Y). Chổi than (X) cần phải trượt tự do được trong hộp chổi than. Nếu chổi than mòn chỉ còn 3 inch (8 mm) như trong Hình 9 thì cần thay chổi than. Để lắp lại, ấn chổi than mới trở lại vào hộp chổi than. Nếu thay chổi than đang sử dụng, để chổi than đúng hướng như khi tháo. Thay nắp chổi than (không vặn quá chặt). Thay nắp và hai vít. Vặn chặt.

dụng cụ được làm ẩm bằng nước và xà phòng có tính tẩy nhẹ. Tuyệt đối không để chất lỏng lọt vào bên trong dụng cụ; không bao giờ ngâm các bộ phận của dụng cụ vào chất lỏng.

BẢO TRÌ

Dụng cụ điện cầm tay của DEWALT được thiết kế để vận hành trong thời gian dài và ít phải bảo trì nhất. Dụng cụ vận hành liên tục theo ý muốn tùy thuộc vào việc bảo quản dụng cụ đúng cách và vệ sinh thường xuyên.



CẢNH BÁO: Để giảm nguy cơ chấn thương, hãy tắt dụng cụ và ngắt nguồn điện trước khi tiến hành tháo lắp phụ kiện, trước khi điều chỉnh hoặc thay đổi chế độ cài đặt hoặc khi tiến hành sửa chữa. Đảm bảo công tắc khởi động ở vị trí OFF. Việc bất ngờ khởi động cũng có thể gây thương tích.



Tra dầu

Dụng cụ điện cầm tay này không cần tra thêm dầu.



Vệ sinh



CẢNH BÁO: Thường xuyên thổi bụi bẩn khỏi vỏ dụng cụ khi thấy bám bụi xung quanh các khe thông gió. Đo kính bảo hộ và mặt nạ chống bụi được phê duyệt khi thực hiện quy trình này.



CẢNH BÁO: Tuyệt đối không sử dụng các dung môi và hóa chất mạnh để vệ sinh các bộ phận không làm bằng kim loại của dụng cụ. Các hóa chất này có thể làm tổn hại đến các nguyên vật liệu sử dụng trong các bộ phận này. Chỉ sử

Các phụ kiện tùy chọn



CẢNH BÁO: Do các phụ kiện, không phải các phụ kiện do DEWALT CUNG CẤP, chưa được kiểm nghiệm với sản phẩm này; nên việc sử dụng các phụ kiện đó với sản phẩm này có thể gây nguy hiểm. Để giảm nguy cơ chấn thương, chỉ được sử dụng các phụ kiện do DEWALT khuyến nghị cho sản phẩm này.

Hỏi ý kiến đại lý bạn để biết thêm thông tin về các phụ kiện phù hợp.

Bảo vệ môi trường



Thu gom riêng. Không được thải bỏ sản phẩm này chung với rác thải gia đình thông thường.

Nếu sản phẩm DEWALT của bạn cần phải thay thế, hoặc bạn không sử dụng nó trong tương lai nữa, đừng thải bỏ cùng với rác thải gia đình. Sản phẩm này phải được thu gom riêng.



Thu gom riêng sản phẩm và bao bì đóng gói đã qua sử dụng sẽ cho phép tái chế và tái sử dụng vật liệu. Tái sử dụng vật liệu tái chế giúp ngăn chặn ô nhiễm môi trường và giảm nhu cầu vật liệu thô.

Luật lệ địa phương có thể quy định việc thu gom riêng các sản phẩm điện gia dụng tại các bãi rác thải đô thị hoặc bởi những người bán lẻ khi bạn mua sản phẩm mới.

DEWALT cung cấp nơi thu gom và tái chế các sản phẩm của DEWALT khi các sản phẩm này đã hết hạn sử dụng. Để sử dụng dịch vụ này, vui lòng trả lại sản phẩm cho đại lý sửa chữa được ủy quyền, nơi thay mặt công ty chúng tôi thu gom các sản phẩm này.

Bạn có thể kiểm tra vị trí của đại lý sửa chữa được ủy quyền gần nhất bằng cách liên hệ với văn phòng DEWALT tại nơi bạn sống theo địa chỉ cung cấp trong tài liệu hướng dẫn này. Ngoài ra, chúng tôi cũng cung cấp danh sách các đại lý sửa chữa được ủy quyền của DEWALT và toàn bộ thông tin chi tiết về dịch vụ hậu mãi và các thông tin liên hệ tại website: www.2helpU.com.

切斷機

D28720

恭喜閣下！

感謝您選購 DEWALT 工具。憑藉多年的產品開發和創新經驗，DEWALT 已成為專業電動工具使用者最信賴的夥伴。

技術資料

		D28720
電壓	V	110
輸入功率	W	2200
頻率	Hz	60 Hz
空載轉速	/min	3800
砂輪直徑	mm	355
砂輪厚度	mm	2.8

定義：安全指南

以下定義描述了每一個詞彙的嚴重程度。請閱讀本手冊並注意這些符號。



危險：表示緊急危險情況，若未能避免，**將導致死亡或嚴重傷害。**



警告：表示潛在危險情況，若未能避免，**可能導致死亡或嚴重傷害。**



小心：表示潛在危險情況，若未能避免，**可能導致輕微或中度傷害。**

注意：表示一種非人身傷害的行為，若未能避免，**可能導致財產損失。**



表示觸電危險。



表示火災危險。



警告：為了降低受傷的風險，必須仔細閱讀使用手冊。

電動工具一般安全警告



警告！請閱讀所有安全警告及使用指示。不遵循這些警告和指示可能會導致觸電、火災及/或嚴重傷害。

請妥善保存所有的警告和使用手冊 以備將來查閱

警告中的名詞「電動工具」是指電源驅動（插電）電動工具，或者電池驅動（充電）電動工具。

1) 工作場地安全

- 保持工作場地清潔和明亮。**混亂或黑暗的場地會引發事故。
- 不要在易爆環境，如有易燃液體、氣體或塵埃的環境中操作電動工具。**電動工具產生的火花會點燃塵埃或氣體。
- 請等待兒童和旁觀者離開之後才操縱電動工具。**分心會導致您疏忽於控制。

2) 電氣安全

- 電動工具插頭必須與插座相符。**切勿以任何方式改裝插頭。需接地的電動工具不能使用任何配接器插頭。未經改裝的插頭和相符的插座可以減少觸電危險。
- 避免人體接觸接地表面，如管道、散熱片、爐灶和冰箱。**若您的身體接地，可增加觸電危險。
- 不得將電動工具暴露在雨中或潮濕環境中。**水進入電動工具會增加觸電危險。
- 切勿濫用電線。**請勿使用電線來搬運、拉動電動工具或拔出插頭。讓電線遠離熱、油、銳邊和活動部件。受損或纏繞的電線會增加觸電危險。
- 若要在戶外使用電動工具，請使用適合戶外使用的延長電線。**使用適合戶外使用的電線可減少觸電危險。

- f) 若必須在潮濕場合使用電動工具，請使用漏電保護器 (RCD)。使用 RCD 可降低觸電危險。

3) 人身安全

- a) 保持警覺；在操作電動工具時，請留意所執行的操作並按照一般的常識執行。切勿在疲倦，或受到藥物、酒精或治療的影響下操作電動工具。操作電動工具期間注意力分散會導致嚴重人身傷害。
- b) 使用個人防護裝置。始終佩戴護目裝備。防護裝置，例如在適當條件下可使用的防塵面具、防滑安全鞋、安全帽或聽力保護等裝置可減少人身傷害。
- c) 避免意外啟動。連接電源及/或電池組、舉抬或搬運電動工具之前，請確定開關處於關閉位置。搬運電動工具時若將手指放在開關上，或是在接通開關電源時插入插頭都會引發危險。
- d) 接通電動工具之前，請卸下所有的調整鑰匙或扳手。遺留在電動工具旋轉部件上的扳手或鑰匙會導致人身傷害。
- e) 不要過度伸張雙手。時刻注意腳下和身體的平衡。如此即可在發生意外的情況下更好地控制電動工具。
- f) 適當穿著。不要穿寬鬆衣服或佩戴飾品。讓您的頭髮、衣服和手套遠離活動部件。寬鬆衣服、佩飾或長髮可能會捲入活動部件。
- g) 若配備用於連接排屑裝置、集塵設備的裝置，請確定正確連接和使用這些裝置。使用集塵設備可減少與粉塵有關的危險。

4) 電動工具的使用與注意事項

- a) 不要超負荷使用電動工具。根據您的用途使用適當的電動工具。使用適當的電動工具、讓它在設計可負荷的應用內運轉，會讓您更有效、更安全地執行工作。
- b) 若開關不能開啟或關閉電源，切勿使用該電動工具。不能用開關來控制的電動工具將存在危險，必須進行維修。

- c) 在執行任何調整、更換配件或儲存電動工具之前，請從電源上拔掉插頭及/或卸下電池組。這類防護性措施可降低電動工具意外啟動的風險。
- d) 將閒置的電動工具儲存在兒童無法接觸的地方，並且不要讓不熟悉電動工具或對這些使用指示不瞭解的人員操作電動工具。電動工具在未經培訓的使用者手中會發生危險。
- e) 維護電動工具。檢查活動部件是否對準或卡住、破損情況以及是否存在影響電動工具運行的其他情況。若有損毀，必須在使用之前修理電動工具。許多事故都是由於電動工具欠缺維護所導致。
- f) 保持刀具鋒利和清潔。妥善維護、切削鋒利的切割工具不會輕易卡住並可更輕鬆控制。
- g) 遵循使用指示以及工作條件和所要執行的工作使用電動工具、配件和工具刀頭等。不按照設計目使用電動工具將會導致危險。

5) 檢修

- a) 本電動工具必須由合格的維修人員並只採用相同的原廠部件來執行檢修。這將確保電動工具的安全性。

切斷機之附加安全指示

- 請始終佩戴正當的護目鏡以及呼吸保護裝置。
- 請在使用前檢查切割砂輪是否已出現裂紋或裂縫。若發現有明顯的裂紋或裂縫，請棄置砂輪。若您認為工具有可能曾摔到地上過，也應該檢查切削砂輪。諸如此類的缺陷將導致砂輪斷裂。
- 啟動工具時，若您使用的是全新的或替換的砂輪，或者您不清楚砂輪的工作狀況，請將工具移至一個安全、保護完善的區域，讓它運行一分鐘。如果砂輪上有任何您未曾察覺過的裂紋或裂縫，砂輪必將在一分鐘內爆裂。啟動工具時，請不要將砂輪對著任何人，包括操作人員。

- **操作時，避免砂輪跳動或粗暴操作。**如果出現跳動，請停止工作，然後檢查是否有任何裂紋或裂縫。
- 定期遵照本手冊中的程序清潔您的切斷機。
- 不要移除砂輪防護罩及底座。
- **始終使用夾具或特殊固定物將工件夾緊。**其他如彈簧、條或 C 型萬力夾等的輔助工具可能會適用於夾緊特定大小和形狀的工件。選擇和置放這些夾具的時，請務必小心，進行切鋸前，先練習一遍。
- 僅可使用 14" 的 1 號砂輪，額定速度為 4100 轉/分或以上。
- 待切下物料冷卻後再進行處置。
- 請勿試圖使用本工具來切鋸木材或塑膠。
- **請勿使用本工具來切割鎂質材料。**
- 請在通風良好的場地使用本切斷機。
- 從底座移除任何材料前，請將切斷機關掉。
- **請勿切割帶電材料。**
- 請勿將本工具與圓鋸機鋸片或任何其他帶齒鋸片一起使用。那麼做可能會導致嚴重傷害。
- **請勿在易燃液體、氣體或粉塵附近操作工具。**切割或電弧電動機電刷所產生的火花或熱碎片可能會引燃易燃材料。
- 警告：確保使用前切割砂輪已正確安裝並緊固，包括依指示在安全的地方空載運行工具 30 秒，如果震動較大，請立即停止工具並更換切割砂輪。
- 請勿把砂輪的側面當作去毛刺研磨器使用。這將快速磨損您的砂輪片，導致危險，讓砂輪有可能斷裂！



小心：操作時請佩戴合適的聽力保護裝置。在某些使用情況下，使用了一定時間後，產品所產生的噪音將有可能讓您的聽力受損。



小心：火花偏導器會發熱。避免在這個時候觸碰到它，或對它進行調整。讓電線和材料遠離火花偏導器。

- 避免與電動砂光、切鋸、打磨、鑽孔以及其他建造操作所導致的粉塵長時間接觸。身穿防護服，用肥皂和水將所接觸到的區域清洗乾淨。別讓粉塵進入或接觸到您的嘴巴、眼睛或皮膚！您的身體可能會吸收到有害的化學物質。



警告：始終使用 NIOSH/OSHA 認可的呼吸保護裝置，適當保護自己對粉塵的接觸。請將粉塵引向遠離身體和臉部的方向。為了您的安全及方便，您的重型 14" (355mm) 切斷機上包含了以下警告：



為確保安全操作，請仔細閱讀使用手冊。

- 請勿使用帶齒鋸片。
- 請僅使用額定速度為 4100 轉/分或以上的加強砂輪。
- 維修時，請僅使用完全一致的更換零件。
- 始終：佩戴護目鏡、使用防護罩、用夾具夾緊工件，佩戴正當的呼吸保護裝置。
- 不得將工具暴露在雨中或在潮濕環境中使用。
- 只可使用最大厚度 2.8 mm 和最大直徑 355 mm 的切斷機砂輪。

剩餘風險

- 使用此類機器有以下固有危險：
 - 接觸旋轉部件導致的傷害。
 - 停止切盤轉動導致的傷害。
- 以下這些危險最為常見：
 - 進入運行範圍。
 - 進入機器旋轉部件的範圍。
- 即使應用有關的安全規定並採用安全設備，仍然還有一些無法避免的剩餘風險。危險包括：

- 聽力受損。
- 旋轉切盤未遮蔽部件導致的事務危險。
- 更換切盤時的傷害危險。
- 開啟防護裝置時夾傷手指的危險。

工具上的標誌

工具上會附帶下列圖示：



使用前請閱讀使用手冊。



請佩戴護目鏡。



請佩戴聽力保護器。



盤孔直徑。

日期碼的位置

日期代碼 (R) 也包括製造年份，已經印刷在工具外殼上電池安裝接口的表面上。

範例：

2014 XX XX

製造年份

套裝內的物件

本套裝包括：

- 1 個切斷機
 - 1 個扳手
 - 1 本使用手冊
- 檢查工具、部件或配件有否在運送途中損壞。
 - 操作前，請抽空徹底地閱讀和掌握本手冊的內容。

描述 (圖 1、4)



警告：請勿改動本電動工具或其任何部件，否則可能導致損壞或人身傷害。

- A. 鎖定鏈條
- B. 火花偏導器螺絲
- C. 火花偏導器

- D. 底座
- E. 擋板
- F. 夾具
- G. 扁平型扳手
- H. 曲柄
- I. 夾具水平支架
- J. 滾輪
- K. 防護罩
- L. 心軸鎖
- M. 限深器螺絲以及防鬆螺母
- N. 觸發開關
- O. 掛鎖孔
- P. 擋板螺絲
- Q. 鎖定開關

設計用途

D28720 切斷機設計用於切割各種形狀的鋼材。

切勿在潮濕有水或存有易燃液體或氣體的環境下使用工具。

D28720 切斷機是專業的電動工具。

不要讓兒童接觸本工具。缺乏經驗的操作人員需要在監督下使用本工具。

電氣安全

電動機只適用一種電壓。請務必檢查電源電壓是否與銘牌一致。



DEWALT 工具採用雙重絕緣，因此無需接地線。

如果電源線損壞，必須使用 DEWALT 維修機構提供的專用電源線取代。

使用延長纜線

若需要使用延長電纜，使用適合本工具電源輸入使用的認證 3 芯延長電纜（參閱**技術資料**）。導體體的最小尺寸為 1.5 mm²；最大長度為 30 m。

使用電纜捲筒時，每次必須把電纜完全展開。

連接電源

本機器使用的電源必須配備一個帶時間延遲功能的 16 A 的熔斷器。

電壓下降

浪湧電流可導致短時間的電壓下降。在低電壓的情況下其他設備可能受到影響。

如果系統的電源阻抗低於 0.11 歐，不太可能發生紊亂。

電源

請確保您的電源供應器與銘牌上標注的內容一致。電壓降低超過 10% 將導致功率損失以及過熱。

切割能力

本工具備有更高的樞軸點、更大的夾具開口，讓它能夠輕易切割許多大型工件。請參閱切割能力圖表，確定新砂輪能切割的工件的最大總尺寸。



小心：某些大型環狀或形狀不規則的物體，則可能會需要動用更多的夾具。



小心：不要使用本工具來切割鎂質材料。

最大切割能力

註：圖表所示的切割能力假定砂輪無磨損，且擋板處於最佳位置。

工件形狀				
90° 切割角度	A = 4-7/8" (125mm)	A = 4-1/2" (115mm)	4-1/2" x 5-1/8" (115mm x 130mm) 4" x 7-5/8" (102mm x 188mm) 3" x 7-3/8" (76mm x 229mm)	A = 4-1/2" x 5-3/8" (115mm x 137mm)
45° 切割角度	A = 4-1/2" (115mm)	A = 3-13/16" (98mm)	4-1/2" x 3-13/16" (105mm x 95mm) 4-1/8" x 3-3/4" (105mm x 95mm)	A = 3-13/16" (95mm)

使用說明

搬運 (圖 1)

將您的裝置折疊至一個可讓您搬運切斷機的程度。推入鎖定鏈條 (A) 以鎖定電動機移動臂。安裝工具剩餘部分 (圖 3)

解鎖 (圖 1)

要為本工具解鎖並拉高鋸頭，請輕輕按下電動機移動臂並將鎖定鏈條 (A) 往外拉。電動機移動臂將向上轉動。

調整火花偏導器 (圖 1)

要將火花偏導至別的地方，避免它濺到周圍人員和材料，請擰鬆螺絲 (B)，調整火花偏導器 (C)，然後再擰緊螺絲。不要讓電源線接觸到火花偏導器或火花，這可能會損壞電源線。

限深器螺栓 (圖 1)

限深器螺栓專為全新的 14" 砂輪而設定，其用途是避免砂輪切入支撐表面。為了增加工具的切割深度，請使用所提供的扁平型扳手 (G) 來鬆開限深器螺栓 (M)，並將螺栓提升至所需高度，然後順時針轉動防鬆螺母 (M) 直到其緊緊固定於鑄件上。使用前，請穩固擰緊限深器螺栓。



小心：更換新砂輪時，請將限深器螺栓調整至原始位置，避免它切入支撐表面。

觸發開關 (圖 1)

若要啟動工具，請按下觸發開關 (N)。若要關閉工具，請鬆開觸發開關。讓手和材料遠離砂輪，直至其停止運轉。為避免有人非授權使用工具，請在觸發開關上的掛鎖孔 (O) 中裝上一個標準掛鎖 (未提供)。

夾緊並支撐材料

- 用兩個支腳抵住工具底座，即可最好支撐工件進行斜角切割。
- 可使用比工件稍窄的墊塊，以增加砂輪利用率 (圖 2)。

- 長工件必須由墊塊支撐，好讓它能夠與底座的頂部呈水平線（圖 3）。工件的切斷端必須能夠自由向下掉落，避免導致砂輪卡住。

夾具操作（圖 4）

夾具 (F) 擁有一個快速移動功能。要鬆開緊夾的夾具，請逆時針轉動曲柄 (H) 一圈至四圈，去除夾緊壓力。將夾具水平支架 (I) 提起。拉出曲柄裝配，直至所需位置。無需使用曲柄即可將夾具推入工件中。降下夾具水平支架 (I)，再利用曲柄 (H) 將夾具 (F) 擰緊到位。

擋板操作（圖 5 和 6）

小心：調整、卸下或安裝附件或配件之前，必須先關閉工具的電源並拔下插頭。請確保觸發開關處於關閉 (OFF) 位置。擋板 (E) 調整有兩種方法：改變所需切割角度，以及改變擋板和夾具之間的距離。

改變所需切割角度

利用所提供的扳手鬆開兩個擋板螺栓 (P)（但請不要拆下）。將所需的角度的指示線與底座 (D) 上的槽線 (Q) 對齊。使用前，請牢固擰緊這兩個擋板螺栓。若要進行更加精確的方形切割，請關掉電源，擰鬆兩個擋板螺栓，並將移動臂往下推，直至砂輪碰到底座為止。將一塊方形緊貼砂輪，並根據這個方形調整擋板。使用前，請牢固擰緊這兩個擋板螺栓。根據不同工件的厚度和斜口切角度而論，夾具 (F) 有可能在您進行斜口切時無法牢固夾緊您的工件。因此，在進行這類切割時，可能會需要利用一些其他的輔助工具（如彈簧、條或 C 型萬力夾）來將工件固定到擋板上。

改變擋板和夾具之間的距離

利用所提供的扳手鬆開兩個擋板螺栓 (P)。將擋板 (E) 調整至所需位置。將擋板螺栓插入所提供的位置。使用前，請牢固擰緊這兩個擋板螺栓。

拆下與安裝砂輪（圖 7 和 8）



小心：調整、卸下或安裝附件或配件之前，必須先關閉工具的電源並拔下插頭。請確保觸發開關處於關閉 (OFF) 位

置。請不要在砂輪還在轉動的當兒作出任何調整。請不要在切斷機電源還接通的時候作出任何調整。

- 將主軸鎖 (L) 推入，用手轉動砂輪 (J)，直至砂輪的鎖桿與內法蘭接合 (R)，鎖定砂輪。利用 8mm 六角扳手，將砂輪切片 (G) 中間的螺栓 (S) 逆時針轉動以將其擰松。此螺栓採用右旋螺紋。
- 拆下螺栓 (S)、墊圈 (T)、外法蘭 (U) 以及舊砂輪 (J)。
- 確保法蘭表面乾淨、平滑。以相反順序安裝新的砂輪切片。
- 不要將螺栓擰得過緊。

警告：進行砂輪切片更換時，請檢查切斷機所停放的工作表面。當移動臂被完全降下時，砂輪切片有可能會接觸到/切入任何處於底座下、工作表面之上的物件或結構！

更精確的切割，操作提示

- 讓砂輪自動切割。過度使用蠻力將拋光砂輪的表面，進而降低其切割效率並/或導致砂輪彎曲，造成切割不準確。
- 適當調整擋板角度。
- 確保材料平躺於底座上。
- 適當夾緊材料，以避免移動和震動。

檢查和更換電動機電刷（圖 9）



警告：請關閉電源並拔下工具的插頭。請確保觸發開關處於關閉 (OFF) 位置。應定期檢查電刷是否出現磨損。要檢查電刷，請擰鬆兩個端蓋螺絲 (V)，然後拆下端蓋 (W)。拆下電刷蓋 (Y)。電刷 (X) 應能夠在電刷盒中自由滑動。如果電刷如圖 9 所示，已磨損至 0.3" (8mm)，則應對其進行更換。要重新安裝，請將電刷推回電刷盒中。要更換現有電刷，請在移除時維持相同的方向。更換電刷蓋（不要過度擰緊）。更換端蓋以及兩個螺絲。牢固擰緊。

維護

DEWALT 電動工具採用卓越的設計，能夠長時間使用，並且只需最少的維護。若要持續獲得滿意的操作效果，需進行正確的工具維護和定期的清潔。



警告：若要降低傷害危險，請在安裝和移除配件前、調整或變更設定前或進行修理時關閉工具並斷開電源。請確保觸發開關處於關閉 (OFF) 位置。意外啟動工具可能會造成傷害。



潤滑

本電動工具毋需額外潤滑。



清潔



警告：一旦通風口及其周圍積聚可見的塵埃，請立即使用乾燥的壓縮空氣吹掉主機外殼內的塵埃和灰塵。執行此步驟時，請佩戴經認可的護目裝備和防塵面罩。



警告：切勿使用溶劑或其他刺激性化學品來清潔工具的非金屬部件。這些化學品可能會削弱零件中使用的材料。只能使用抹布蘸中性肥皂水進行清潔。不要讓任何液體進入工具；不要讓工具的任何部分浸入液體中。

選購配件



警告：由於非 DEWALT 所提供的配件未在本產品上進行過使用測試，在本產品上使用這些附件可能發生危險。為降低傷害危險，在本產品上只應使用 DEWALT 所推薦的配件。

如需進一步瞭解適用配件的相關資訊，請洽詢當地代理商。

保護環境



分類收集。本產品必須與一般家庭廢物分開處置。

若您發現您的 DEWALT 產品需要進行替換，或您已經不再需要使用這些產品，請不要將它們與家庭廢物一起處置。務必將本產品送往分類收集處。



分類收集用過的產品和包裝允許材料循環再生利用。重新使用回收的材料有助於防止環境污染，並降低對原材料的需求。

當地法規可能要求由市政廢物回收點，或由向您出售新產品的經銷商來提供將電子產品與家庭廢物分類收集的服務。

DEWALT 在其產品使用壽命結束時提供 DEWALT 產品收集和回收利用的便利。若要享受此項服務，請將產品送回任一授權維修中心，由其代表我們進行收集。

請根據本手冊上所提供地址與當地 DEWALT 辦事處聯絡，查詢離您最近的授權維修中心所在位置。您亦可瀏覽網站查詢 DEWALT 授權維修中心清單和售後服務及聯絡資料之詳細資訊，網址是：

www.2helpU.com。

進口商：永安實業股份有限公司

地址：新北市三重區新北大道二段137號

電話：02-29994633

